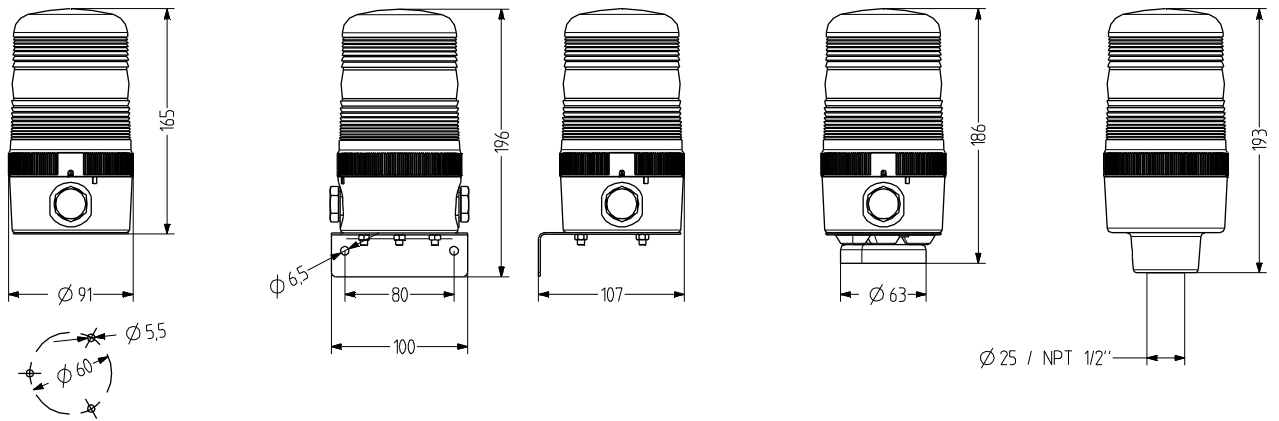


# MLS Steady beacon

- Ø 90 mm steady beacon
- Distinct fresnel lens pattern for a good signalling effect
- Modular design – easy to mount/service
- 4 types of mounting
- 20 W halogen bulb included
- High degree of protection IP 65
- For industrial and general applications
- Captive safety screw for lens



## TECHNICAL DATA

Housing	Ø 90 mm, Polycarbonate black
Lens	Polycarbonate, ribbed (Fresnel) orange, red, clear, blue, green or yellow
Type of mounting	horizontal, vertical, Tube mounting, Magnetic mounting or upside down
Cable entry	side: 2× M20 with blind plugs (optional cable gland 5–12 mm), back: Grommet 5–7 mm
Connection technology	Terminal 2,5 mm <sup>2</sup>

Leakage current	0,003 A (PLC-suitable)
Beacon type	Steady beacon
Light source	Halogen bulb
Luminous intensity	20 W
Duty cycle	100 %
Service life	Light source: 1.500 - 5.000 h
Operating temperature	-25°C/+60°C
Degree of protection	IP65 & UL Type 4/4x/13



# MLS

## ORDER DATA

Lens colour	Nominal voltage	Voltage range [V]	Nominal current [A]	Type of mounting		
				horizontal	Tube Ø 25 mm	Tube NPT 1/2"
orange	12 V AC/DC	+/- 10 %	1,700	817 101 404	817 301 404	817 311 404
	24 V AC/DC	+/- 10 %	0,830	817 101 405	817 301 405	817 311 405
	110-120 V AC	+/- 10 %	0,170	817 101 310	817 301 310	817 311 310
	230-240 V AC	+/- 10 %	0,085	817 101 313	817 301 313	817 311 313
red	12 V AC/DC	+/- 10 %	1,700	817 102 404	817 302 404	817 312 404
	24 V AC/DC	+/- 10 %	0,830	817 102 405	817 302 405	817 312 405
	110-120 V AC	+/- 10 %	0,170	817 102 310	817 302 310	817 312 310
	230-240 V AC	+/- 10 %	0,085	817 102 313	817 302 313	817 312 313
clear	12 V AC/DC	+/- 10 %	1,700	817 104 404	817 304 404	817 314 404
	24 V AC/DC	+/- 10 %	0,830	817 104 405	817 304 405	817 314 405
	110-120 V AC	+/- 10 %	0,170	817 104 310	817 304 310	817 314 310
	230-240 V AC	+/- 10 %	0,085	817 104 313	817 304 313	817 314 313
blue	12 V AC/DC	+/- 10 %	1,700	817 105 404	817 305 404	817 315 404
	24 V AC/DC	+/- 10 %	0,830	817 105 405	817 305 405	817 315 405
	110-120 V AC	+/- 10 %	0,170	817 105 310	817 305 310	817 315 310
	230-240 V AC	+/- 10 %	0,085	817 105 313	817 305 313	817 315 313
green	12 V AC/DC	+/- 10 %	1,700	817 106 404	817 306 404	817 316 404
	24 V AC/DC	+/- 10 %	0,830	817 106 405	817 306 405	817 316 405
	110-120 V AC	+/- 10 %	0,170	817 106 310	817 306 310	817 316 310
	230-240 V AC	+/- 10 %	0,085	817 106 313	817 306 313	817 316 313
yellow	12 V AC/DC	+/- 10 %	1,700	817 107 404	817 307 404	817 317 404
	24 V AC/DC	+/- 10 %	0,830	817 107 405	817 307 405	817 317 405
	110-120 V AC	+/- 10 %	0,170	817 107 310	817 307 310	817 317 310
	230-240 V AC	+/- 10 %	0,085	817 107 313	817 307 313	817 317 313



Steady



WMS



MMR



MSR



MGS



AKV



MBK



MQS

## ACCESSORIES

Type	Type of accessory	Tube length	Weight	Order number
WMS	Metal bracket for wall mounting		160 g	817 200 900
MMR	Tube mounting Aluminium with plastic foot	50 mm		698 806 007
		100 mm		698 806 008
		250 mm		698 806 009
		400 mm		698 806 010
MSR	Tube mounting Stainless steel with die-cast zinc foot, black (powder-coated)	50 mm		698 806 021
		100 mm		698 806 022
		250 mm		698 806 023
		400 mm		698 806 024
MGS	Magnetic fixing		340 g	817 203 900
AKV	Cable gland M20×1,5			698 800 026
MBK	Earthing kit for UL-compliant installation			819 201 900
MQS	Mounting plate for UL-compliant installation			817 202 900

## REPLACEMENT PARTS

Type	Type of accessory	Nominal voltage	Output	Order number
HL21	Halogen bulb	12 V	20,000 W	890 020 904
HL22	Halogen bulb	24 V	20,000 W	890 020 905
HL25	Halogen bulb	110-120 V	20,000 W	890 020 910
HL26	Halogen bulb	230-240 V	20,000 W	890 020 913