

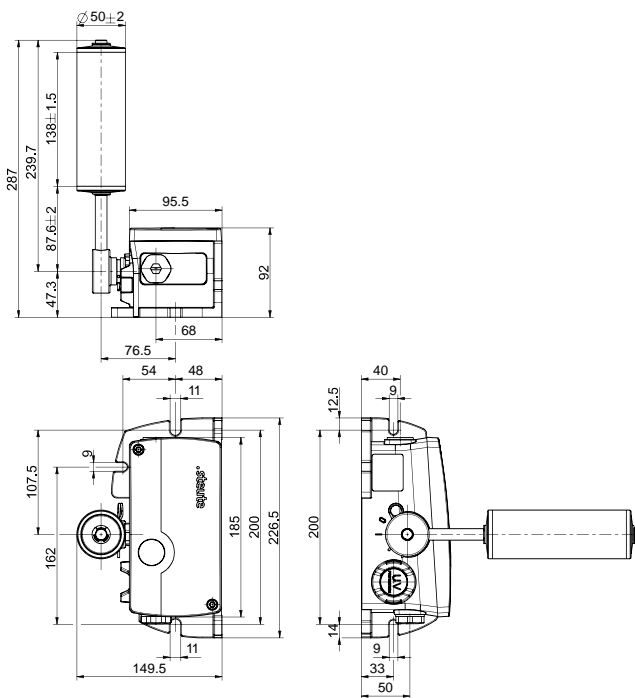


Belt alignment switch Extreme ZS 92 SR 22 P KST -40°C ... +70°C IP66/67 Extreme Material number: 1254622

Features/Options:

- Temperature resistant from -40 °C to +70 °C
- High degree of protection IP 66 / IP 67
- Thermoset enclosure
- Screws and belt-alignment roller made of stainless steel
- With staggered contacts, adjustable from 5° to 35°
- Belt alignment lever adjustable in 12° steps using a self-locking mechanism
- Back and base mounting possible

Dimensions



Technical data


Applied standards	EN 60947-5-1
Enclosure	thermoset, grey, similar to RAL 7035
Cover	thermoset, enamel finish, yellow, similar to RAL 1012
Actuator	stainless steel
Screws	stainless steel
Tightening torque	cover screws: max. 2.5 Nm
Degree of protection	IP 66/67 to IEC/EN 60529
B _{10d} (10 % load)	2 million
T _M	max. 20 years
Safety class	II
Contact material	silver
Switching elements	2 NC/2 NO contacts, type Zb
Switching system	snap action, positive break NC contacts \ominus
Switching points	adjustable 5° to 35°; pre-adjustment setting 2 x 10°
Connection	screw connection terminals
Cable cross-section	0.5 ... 2.5 mm ² (incl. conductor ferrules)
Cable entry	2 x M25 x 1.5
Rated impulse withstand voltage U _{imp}	6 kV
Rated insulation voltage U _i	400 V
Conventional thermal current I _{the}	4 A
Conditional short-circuit current	1100 A
Utilisation category	AC-15; DC-13

Errors and omissions excepted.

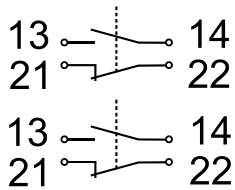


Belt alignment switch Extreme
ZS 92 SR 22 P KST -40°C ... +70°C IP66/67 Extreme
Material number: 1254622

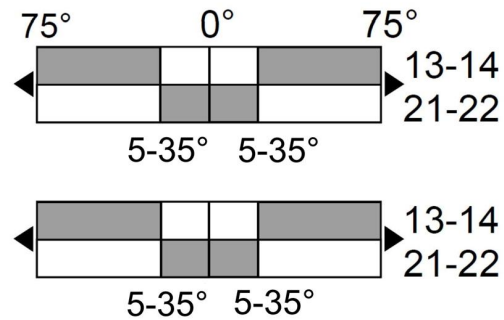
Technical data

Rated operating current/ voltage I_e/U_e	4 A/400 VAC; 0.25 A/250 VDC; 0.55 A/125 VDC; 2.5 A/48 VDC; 3 A/24 VDC
Short-circuit protection	4 A gG/gN fuse
Mechanical life	> 1 000 000 operations at max. 45° operating angle
Operation cycles	max. 600/h
Ambient temperature	-40 °C ... +70 °C
Degree of pollution	3
Approvals	

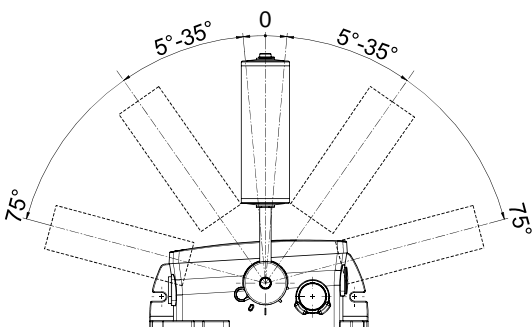
Contact diagram



Switching diagram



Switching points



Errors and omissions excepted.