



## Ex position switch Ex ES 97 TK-11-3G/D Material no.: 1447011

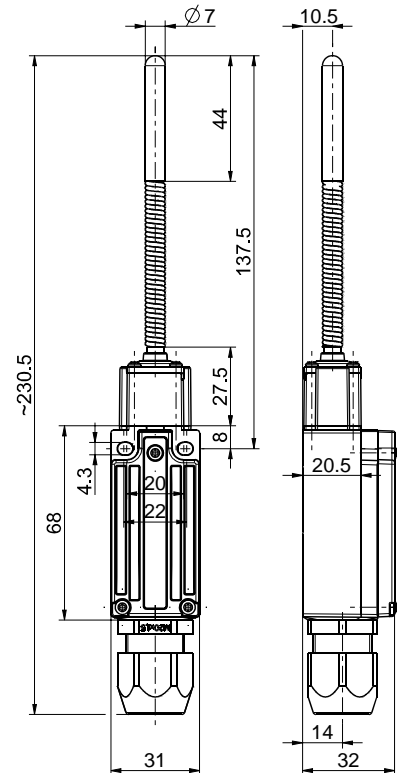
### Product features

- Ex zone 2 and 22
- Thermoplastic enclosure
- High degree of protection IP66 / IP67
- Design to EN 50047
- Wiring compartment
- Double insulated
- Slow action
- Actuator: Spring rod with plastic tip TK

#### Notes

- 1 Ex"e" cable gland M20x1.5 included in delivery

### Dimensions



### Technical data

#### Applied standards

EN IEC 60079-0, EN 60079-1, EN IEC 60079-7, EN 60079-31, EN 60947-5-1, EN ISO 13849-1, EN ISO 14119

#### Enclosure

thermoplastic, glass-fibre reinforced, shockproof, self-extinguishing UL 94 V-0

#### Cover

thermoplastic, glass-fibre reinforced, shockproof, self-extinguishing UL 94 V-0

#### Sealing

silicone

#### Degree of protection

IP66 / IP67 (EN 60079-0 + IEC/EN 60529)

#### Contact material

Silver, nickel-plated

#### Switching system

slow action

#### Switching elements

1 NC/1 NO contact, type Zb

#### Connection

screw connection terminals

#### Cable cross-section

min. 0.75 mm<sup>2</sup> (AWG 18), max. 1.5 mm<sup>2</sup> (AWG 16), incl. conductor ferrules

#### Cable entry

M20 x 1.5; screwing depth max. 9 mm; use only Ex approved and certified cable glands with min. degree of protection IP66/ IP67 and suitable for the specified ambient temperature range

#### Utilisation category

AC-15

#### Rated operating current/voltage I<sub>e</sub>/U<sub>e</sub>

max. 3 A or 6 A / max. 250 V

#### Degree of pollution

3

#### Mechanical life

1 million operations

#### Impact energy

max. 4 J

Errors and omissions excepted.



## Ex position switch Ex ES 97 TK-11-3G/D Material no.: 1447011

### Technical data (contd.)

---

Temperature class  
T6

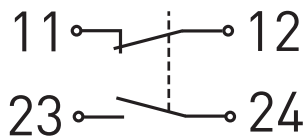
Ambient temperature  
-20 °C ... +45 °C max. 6 A,  
-20 °C ... +60 °C max. 3 A

Short-circuit protection  
3 A / 6 A gG/gN fuse

Ex marking  
⊕ II 3G Ex dc ec IIC T6 Gc X,  
⊕ II 3D Ex tc IIIC T80 °C Dc X

### Contact diagram

---



### Switching diagram

---

