



Emergency grab-wire switch Extreme ZS 92 S 22 VD F1 KST -40°C+70°C IP66/67 Extreme Material number: 1493781

Features/Options:

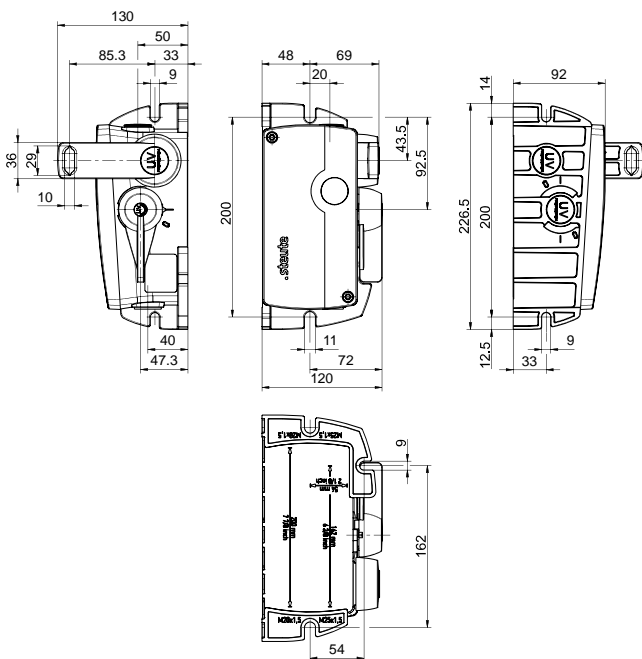
- Temperature resistant from -40 °C to +70 °C
- High degree of protection IP 66 / IP 67
- Thermoset enclosure
- Screws made of stainless steel
- Wire length up to 2 x 100 m

- Release by lever
- F1 = Blue reset lever on front side (left)
- Back and base mounting possible
- Wire pull and breakage detection

Notes

- At 3 m distance intermediate wire supports are required. Two compensation springs type ZS 90/91/92 S must be installed, see accessories.

Dimensions



Technical data

Applied standards	EN 60947-5-1, EN 60947-5-5, EN ISO 13850, EN ISO 13849-1, EN 620:2011-5.7.2.9, AS 1755-2000-2.7.9.1, AS/NZS 4024.3610:2015-2.10.6.2
Enclosure	thermoset, grey, similar to RAL 7035
Cover	thermoset, enamel finish, yellow, similar to RAL 1012
Actuating lever	thermoset, signal red, similar to RAL 3001
Reset lever	thermoset, sky blue, similar to RAL 5015
Screws	stainless steel
Tightening torque	cover screws: max. 2.5 Nm
Degree of protection	IP 66/67 to IEC/EN 60529
B _{10d} (10 % load)	100 000
T _M	max. 20 years
Safety class	II
Switching elements	2 NC/2 NO contacts, type Zb
Switching system	snap action, positive break NC contacts \ominus
Connection	screw connection terminals
Cable cross-section	0.34 ... 2.5 mm ² (incl. conductor ferrules)
Cable entry	2 x M25 x 1.5
Rated impulse withstand voltage U _{imp}	6 kV

Errors and omissions excepted.

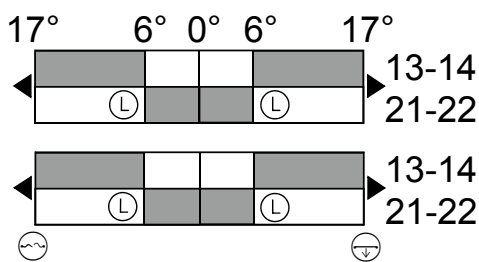


Emergency grab-wire switch Extreme ZS 92 S 22 VD F1 KST -40°C+70°C IP66/67 Extreme Material number: 1493781

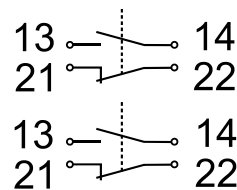
Technical data

Rated insulation voltage U_i	500 V
Conventional thermal current I_{the}	10 A
Utilisation category	AC-15; DC-13
Rated operating current/voltage I_e/U_e	AC-15: 24 V-10 A/120 V-6 A/400 V-4 A DC-13: 24 V-6A/125 V-0.55 A/250 V-0.4 A Minimum electrical load: 5 V/10 mA Si-Bus: 6 A/250 VAC
Conditional short-circuit current	1000 A
Short-circuit protection	10 A gG/gL fuse
Mechanical life	> 50 000 operations
Max. wire length	2 x 100 m
Ambient temperature	-40 °C ... +70 °C
Degree of pollution	3
Actuating force	actuating lever approx. 30 N; reset lever approx. 40 N

Switching diagram



Contact diagram





Emergency grab-wire switch Extreme
ZS 92 S 22 VD F1 KST -40°C+70°C IP66/67 Extreme
Material number: 1493781

Type F1

