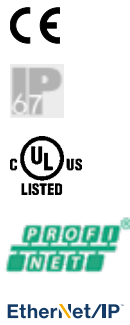



VISOR® V50 Allround Professional, wide field of view

Combines VISOR® Object Color, Code Reader and Robotic

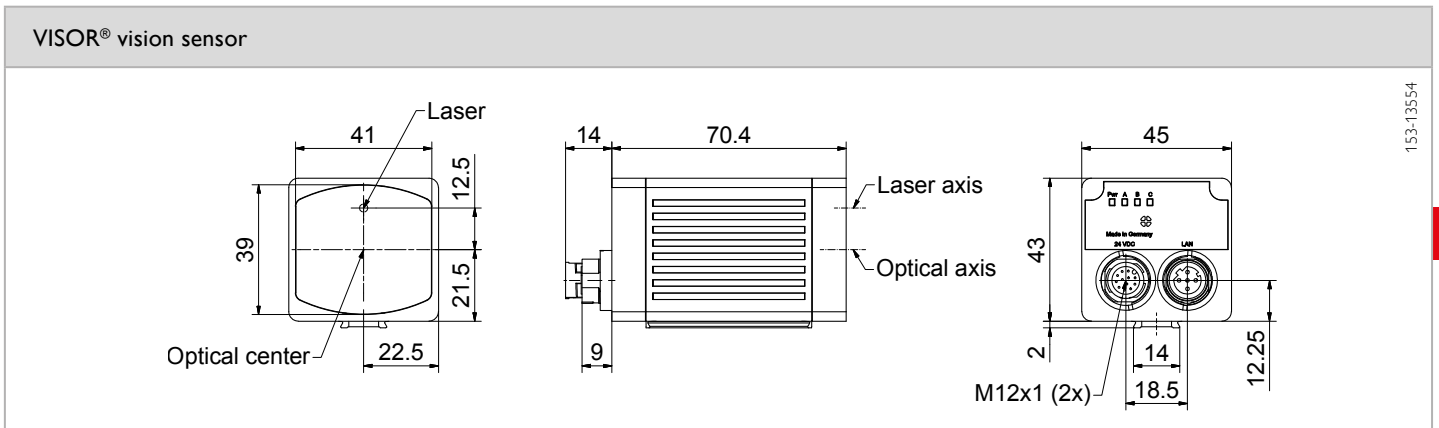


PRODUCT HIGHLIGHTS

- All evaluations ("Detectors") of object sensor and code reader united in one device
- Highly accurate evaluation via 5 megapixel chip
- Real-world engineering units and robot coordinates at a mouse click
- Precise position determination: X/Y-position and orientation
- Detection of differences in height in the pseudo height image with multishot technology
- User-friendly configuration and viewer software with graded user rights and online help

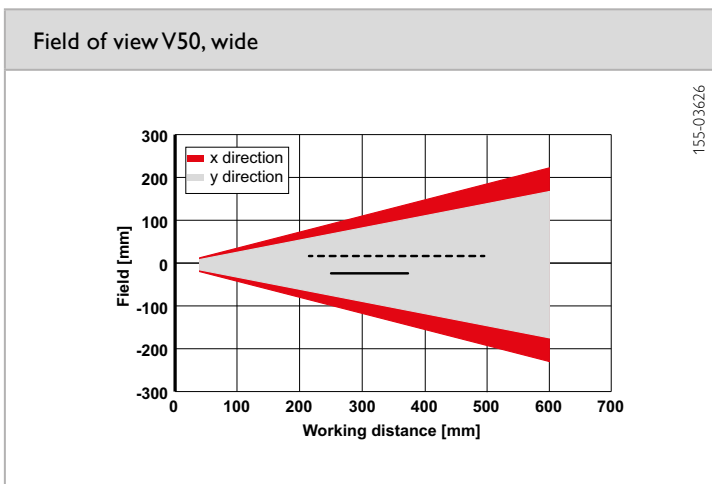
| Optical data | | Functions | |
|--|---|--------------------------------|---|
| Resolution | 2560 x 1936 pixels | Number of jobs / detectors | Max. 255 / max. 255 |
| Imaging chip CMOS | 1/1.8", monochrome / color | Detectors | Position tracking; X/Y and orientation; Pattern matching, contour, 3D contour: teach-in and detection of patterns and contours; Calliper: distance between edges; BLOB, grey threshold, brightness: evaluation of brightness; Contrast: evaluation of contrast; Color value²: output of color values; Color field²: area inspection of colors, with selectable tolerance; Color list²: finding the most similar colors; Barcode: reading 1D barcodes; EAN, UPC, RSS, 2/5 Interleaved, 2/5 Industrial, code 32, code 39, code 93, code 128, ECC200 GS1, pharm code, codabar; Datacode: reading 2D codes; ECC200, QR code, PDF 417, ECC200 GS1; OCR: reading of fonts; Result processing: Text, Math: checking and calculating with results from detectors |
| Integrated lens, focal length [mm] | 9.6 (wide) | | |
| Pixel size | 2.8 µm x 2.8 µm | | |
| Focus | Motorized | | |
| Adjustment range | 40 mm to infinity | | |
| Integrated illumination | White (5000 K), red (635 nm) ¹ , infrared (850 nm) ¹ LEDs | | |
| Minimum field of view, X x Y | 32 x 24 mm | | |
| Target laser | Laser: red (635 nm) class 1  | | |
| | (IEC 60825-1) | | |
| Electrical data | | Mechanical data | |
| Operating voltage, +U _B | 18 ... 30 DC ³ | Dimensions | 70.4 x 45 x 45 mm (without plug) |
| Current consumption (without I/O) | ≤ 300 mA | Enclosure rating | IP 67 & IP 65 |
| Protective circuits | Reverse-polarity protection, U _B / short-circuit protection of all outputs | Material, housing | Aluminium, die-cast, RoHS compliant |
| Power On Delay | Approx. 13 s after Power on | Material, front screen | Plastic |
| Outputs | PNP/NPN (switchable) | Ambient temperature: operation | 0 ... +50 °C ⁴ |
| Max. output current (per output) | 50 mA, 100 mA (pin 12) | Ambient temperature: storage | -20 ... +60 °C ⁴ |
| Switching threshold inputs incl. encoder | PNP / NPN High > U _B -1 V / Low < 3 V | Weight | Approx. 200 g |
| Input resistance | > 20 kΩ | Plug connections | Supply and I/O M12, 12-pin Ethernet M12, 4-pin |
| Interfaces | Ethernet (LAN), EtherNet/IP, PROFINET, SensoWeb, Service Port | Vibration resistance | EN 60068-2-6 |
| Inputs/outputs | 2 inputs, 2 outputs, 6 selectable inputs/outputs | Shock resistance | EN 60068-2-27 |
| Encoder | ✓ | | |

¹ Not color hardware ² Color hardware ³ Max. ripple < 5V_{SS} ⁴ 80 % air humidity, noncondensing



153-13554

3



155-03626

----- Increased depth of field
 ——— Normal depth of field



155-02565

| Illumination | Part number | Article number |
|--------------|----------------------|----------------|
| White | LM 100 WWK-24Q4-2L12 | 532-51096 |
| Red | LM 100 RWK-24Q4-2L12 | 532-51097 |
| — | LM 100 W DF | 532-51098 |

| Illumination | Part number | Article number | Accessories |
|--------------|----------------------|----------------|---|
| White | V50-ALL-P3-W-W-M2-L | 635-91000 | Connection cables www.sensopart.com/en/accessories Illumination Brackets Interface accessories |
| Red | V50-ALL-P3-R-W-M2-L | 635-91002 | |
| Infrared | V50-ALL-P3-I-W-M2-L | 635-91004 | |
| White | V50C-ALL-P3-W-W-M2-L | 635-91007 | |