



Capacitive Sensors Series 80 - PNP

Housing Ø 32 mm

- Housing material: PTFE
- Sensing distance 0.5...30 mm adjustable
- With flange connector M 12 x 1



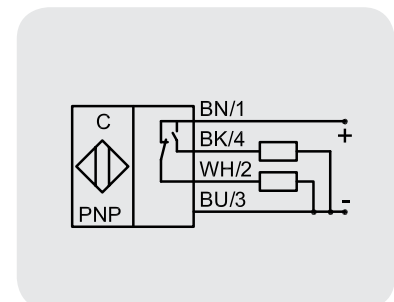
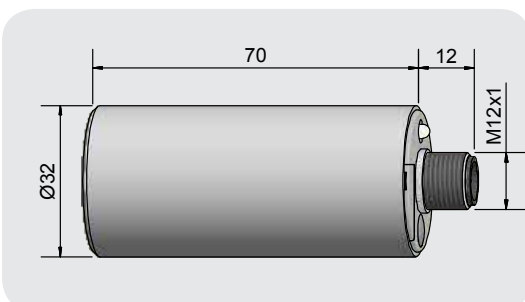
Technical data

Flush mountable

Operating distance S_n	20 mm
Operating distance min. / max. adjustable	0.5...30 mm
Electrical version	4-pin DC
Output function	Antivalent (NO + NC)
Type PNP	KAS-80-30-A-D32-PTFE-Y5-1-HP
Art.-No.	814 455
Operating voltage (U_b)	10...35 V DC
Voltage drop max. (U_d)	≤ 2.0 V
Permitted residual ripple max.	10 %
Output current max. (I_o)	2 x 0...250 mA
No-load current (I_o)	Typ. 15 mA
Frequency of operating cycles max.	200 Hz
Permitted ambient temperature	-25...+70 °C
LED-display	Green / yellow
Protective circuit	Built-in
Degree of protection IEC 60529	IP 67*
Norm	EN 60947-5-2
Connection	Flange connector M 12 x 1
Housing material	PTFE (FDA 21 CFR 177.1550)
Active surface	PTFE (FDA 21 CFR 177.1550)
Lid	PA
Media optimized	Yes

Accessories (not delivered with the sensor): For mounting blocks and matching connectors please see our selection of accessories.

* With sealed potentiometer screw



Made in Germany