

Part number

C30MA 35



Male crimp contact, C30 series, 300 A, turned silver plated, wire cross section 35 mm², AWG 2

Product description

Product type	Crimp contact
Series	C30
Gender	Male

Technical data

Current	300 A
Wire cross-section	35,00 mm ²
AWG size	2
Contact type	Turned silver plated

Further technical details

Contact resistance	≤ 0,2 mΩ
Weight	31,20 g
Conductors stripping length	20 mm

Material properties

Main material	Copper alloy
RoHs conformity	Compliant with exemption 6(c): copper alloy containing up to 4% lead by weight
China RoHs - EFUP	50
REACH SVHC substances	Yes Lead

General ordering information

EAN13 code	8015747290265
-------------------	---------------

Packaging Information

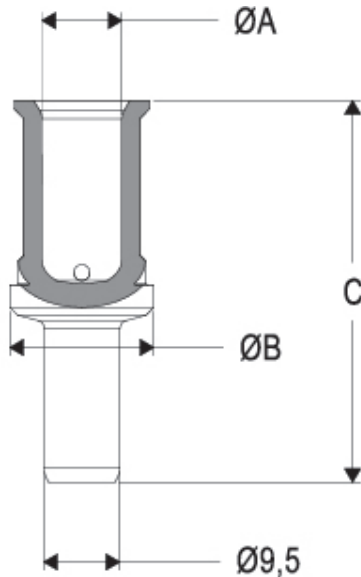
Packaging length	112,00 mm
Packaging height	95,00 mm
Packaging width	117,00 mm
Packaging volume	1,24 dm ³
Packaging description	Carton box
Packaging quantity	40 Pcs
Packaging EAN code	8015747290272
Sub-packaging length	50,00 mm
Sub-packaging height	44,00 mm
Sub-packaging width	50,00 mm
Sub-packaging volume	0,11 dm ³
Sub-packaging description	Plastic box
Sub-packaging quantity	5 Pcs
Sub-packaging EAN barcode	8015747290289

Part number

C30MA 35



Catalogue drawings



C30MA contacts

conductor section (mm ²)	conductor slot \varnothing A (mm)	\varnothing B (mm)	C (mm)	conductor stripping length (mm)
16	5,5	18	42,7	19
25	7	18	42,7	19
35	8,2	18	43,7	20
50	10	18	49,2	22,5
70	11,5	18	49,2	22,5
95	13,5	21	49,2	22,5
120	15,5	21	49,2	22,5

Notes

AVAILABLE FROM: JUNE 2023

California Proposition 65 Information



WARNING

This product can expose you to lead and its compounds, known to the State of California to cause cancer and/or reproductive toxicity. For more information go to www.P65Warnings.ca.gov.

Dimensions shown in mm are not binding and may be changed without notice.
