

Part number

# CGC 16 G



Cover, IP68 series, with 2 screws, size "77.27",  
for hoods

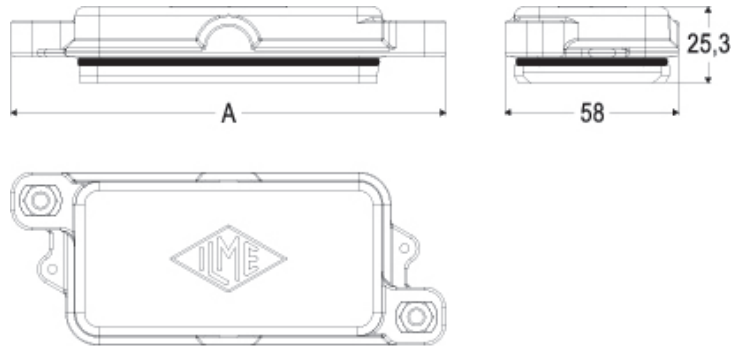
Product description		Material properties	
<b>Product type</b>	Cover	<b>Main material</b>	Aluminium die-cast
<b>Series</b>	IP68	<b>Colour</b>	RAL 9005 black
<b>Closing type</b>	With 2 screws	<b>RoHs conformity</b>	Compliant
<b>Size</b>	Size "77.27"	<b>China RoHs - EFUP</b>	E
<b>Cable entry</b>	For hoods	<b>REACH SVHC substances</b>	No
Technical data		General ordering information	
<b>IP degree of protection</b>	IP66 / IP68 / IP69	<b>EAN13 code</b>	8015747292665
Further technical details		<b>eCl@ss 8.1</b>	27440208
<b>Operating temperature range (min, max)</b>	-40°C...+125°C	<b>ETIM 7.0</b>	EC002314
Packaging Information			
<b>Sub-packaging length</b>	167,00 mm	<b>Sub-packaging height</b>	21,00 mm
<b>Sub-packaging width</b>	60,00 mm	<b>Sub-packaging volume</b>	0,21 dm <sup>3</sup>
<b>Sub-packaging description</b>	Carton tray	<b>Sub-packaging quantity</b>	1 Pcs
<b>Sub-packaging EAN barcode</b>	8015747292672		

Part number

# CGC 16 G



Catalogue drawings



part No.	polarity	A
CGC 06 G	06	132,5
CGC 10 G	10	145,5
CGC 16 G	16	165,5
CGC 24 G	24	192,5

Catalogue drawings

Loop, for fixing on hoods



## Notes

AVAILABLE FROM: APRIL 2023

Dimensions shown in mm are not binding and may be changed without notice.