

Part number

CGC 24 G



Cover, IP68 series, with 2 screws, size "104.27", for hoods



Product description

| | |
|---------------------|---------------|
| Product type | Cover |
| Series | IP68 |
| Closing type | With 2 screws |
| Size | Size "104.27" |
| Cable entry | For hoods |

Technical data

| | |
|--------------------------------|--------------------|
| IP degree of protection | IP66 / IP68 / IP69 |
|--------------------------------|--------------------|

Further technical details

| | |
|---|----------------|
| Operating temperature range (min, max) | -40°C...+125°C |
|---|----------------|

Material properties

| | |
|------------------------------|--------------------|
| Main material | Aluminium die-cast |
| Colour | RAL 9005 black |
| RoHs conformity | Compliant |
| China RoHs - EFUP | E |
| REACH SVHC substances | No |

General ordering information

| | |
|-------------------|---------------|
| EAN13 code | 8015747292689 |
| eCl@ss 8.1 | 27440208 |
| ETIM 7.0 | EC002314 |

Packaging Information

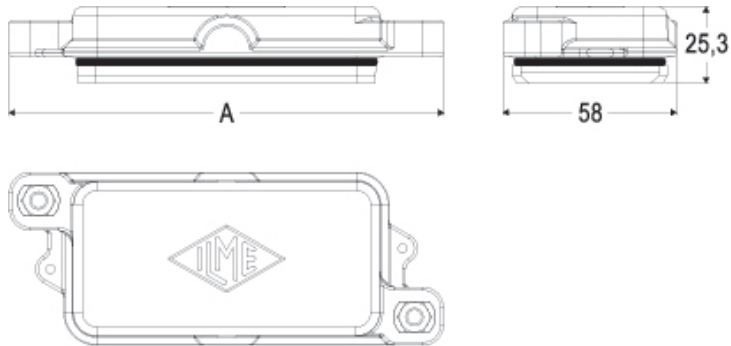
| | |
|----------------------------------|----------------------|
| Sub-packaging length | 195,00 mm |
| Sub-packaging height | 40,00 mm |
| Sub-packaging width | 60,00 mm |
| Sub-packaging volume | 0,47 dm ³ |
| Sub-packaging description | Carton tray |
| Sub-packaging quantity | 1 Pcs |
| Sub-packaging EAN barcode | 8015747292696 |

Part number

CGC 24 G



Catalogue drawings



| part No. | polarity | A |
|----------|----------|-------|
| CGC 06 G | 06 | 132,5 |
| CGC 10 G | 10 | 145,5 |
| CGC 16 G | 16 | 165,5 |
| CGC 24 G | 24 | 192,5 |

Catalogue drawings

Loop, for fixing on hoods



Notes

AVAILABLE FROM: APRIL 2023

Dimensions shown in mm are not binding and may be changed without notice.