

Part number

# CHO 06 L16



Hood, C-TYPE series, with 2 pegs, Pg16 side cable entry, size "44.27"

| Product description                           |                               | Material properties                 |                      |
|---|-------------------------------|-------------------------------------|----------------------|
| <b>Product type</b>                           | Hood                          | <b>Colour</b>                       | RAL 7040 grey        |
| <b>Series</b>                                 | C-TYPE                        | <b>RoHs conformity</b>              | Compliant            |
| <b>Closing type</b>                           | With 2 pegs                   | <b>China RoHs - EFUP</b>            | E                    |
| <b>Size</b>                                   | Size "44.27"                  | <b>REACH SVHC substances</b>        | No                   |
| <b>Cable entry</b>                            | Side cable entry<br>Pg16      | <b>Approvals / Standards</b>        |                      |
| <b>Technical data</b>                         |                               | <b>Certifications</b>               | DNV-GL, BV           |
| <b>IP degree of protection</b>                | IP66 (and IP69 DIN 40050 - 9) | <b>UL</b>                           | ECBT2                |
| <b>Further technical details</b>              |                               | <b>cUL</b>                          | ECBT8                |
| <b>Weight</b>                                 | 100,00 g                      | <b>General ordering information</b> |                      |
| <b>Operating temperature range (min, max)</b> | -40°C...+125°C                | <b>EAN13 code</b>                   | 8015747019675        |
|   |                               | <b>Packaging Information</b>        |                      |
|   |                               | <b>Packaging length</b>             | 225,00 mm            |
|   |                               | <b>Packaging height</b>             | 130,00 mm            |
|   |                               | <b>Packaging width</b>              | 150,00 mm            |
|   |                               | <b>Packaging weight</b>             | 2,12 kg              |
|   |                               | <b>Packaging volume</b>             | 4,39 dm <sup>3</sup> |
|   |                               | <b>Packaging description</b>        | Carton box           |
|   |                               | <b>Packaging quantity</b>           | 20 Pcs               |
|   |                               | <b>Packaging EAN code</b>           | 8015747019682        |
|   |                               | <b>Sub-packaging weight</b>         | 0,53 kg              |
|   |                               | <b>Sub-packaging description</b>    | Plastic packaging    |
|   |                               | <b>Sub-packaging quantity</b>       | 5 Pcs                |
|   |                               | <b>Sub-packaging EAN barcode</b>    | 8015747019699        |

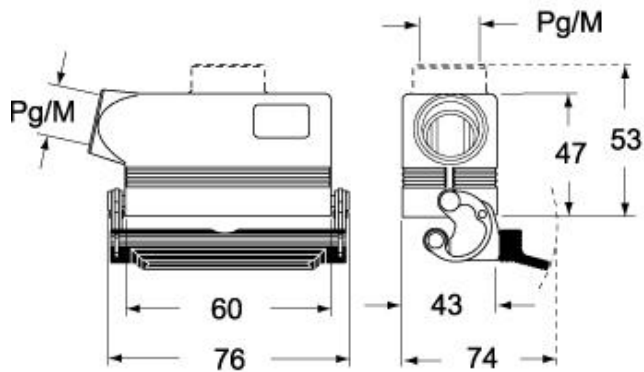
Part number

# CHO 06 L16

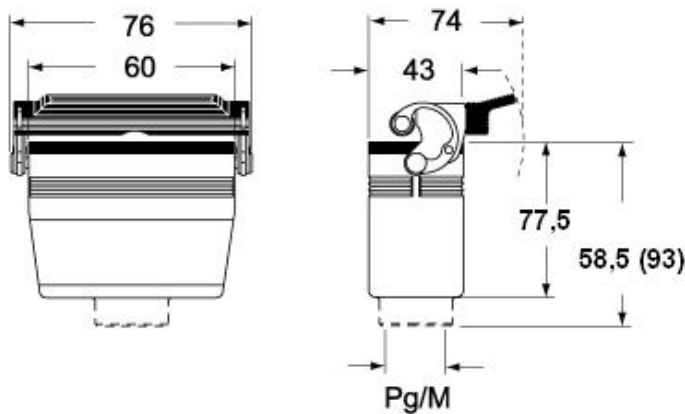


Catalogue drawings

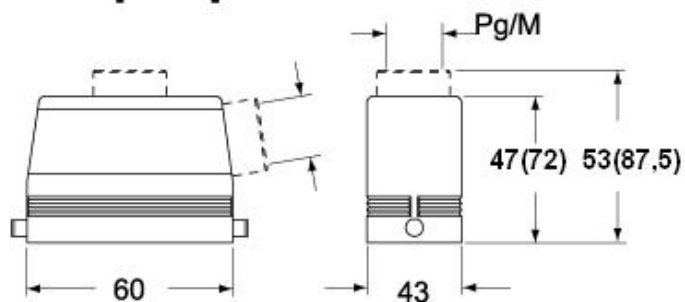
## CHO LX CHV LX - MHO LX MHV LX



## CHV LG (CAV LG), MHV LG (MAV LG) [MFV LG]



## CHO L (CAO L) - MHO (MAO/MFO/MFV L) MHV L [MAV L]



## Notes

Dimensions shown in mm are not binding and may be changed without notice.