

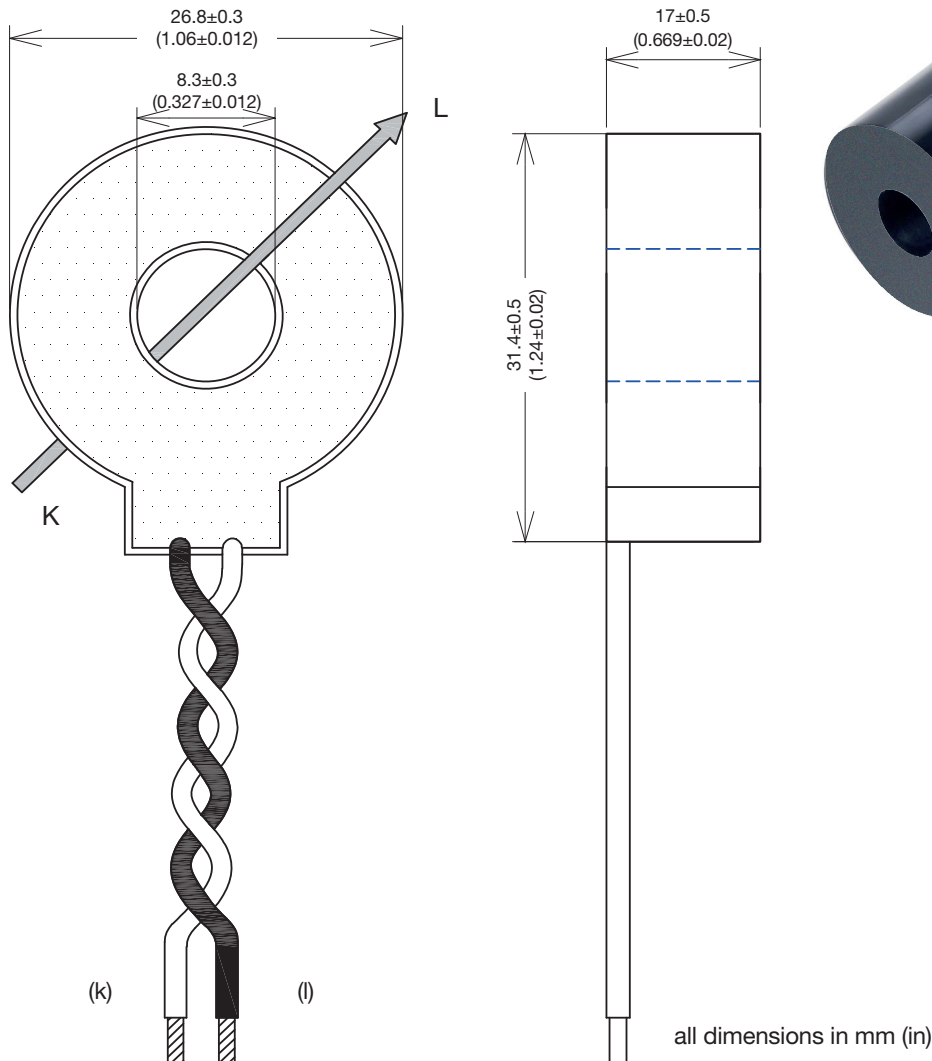
Low Power plug-in Current Transformer

CT-009
CT-012
CT-019

Data Sheet

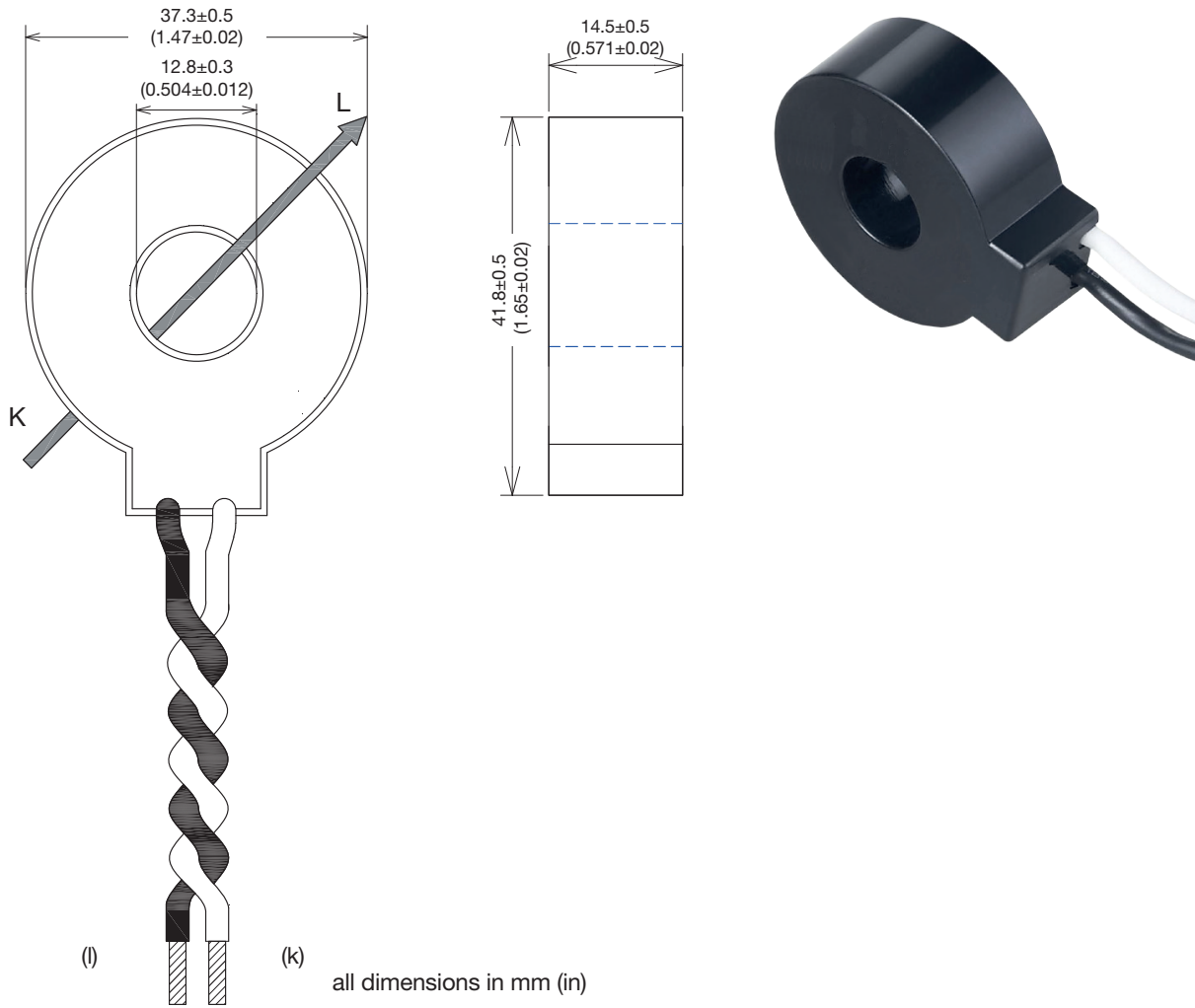
TECHNICAL DATA & DIMENSIONS

CT-009-500-50



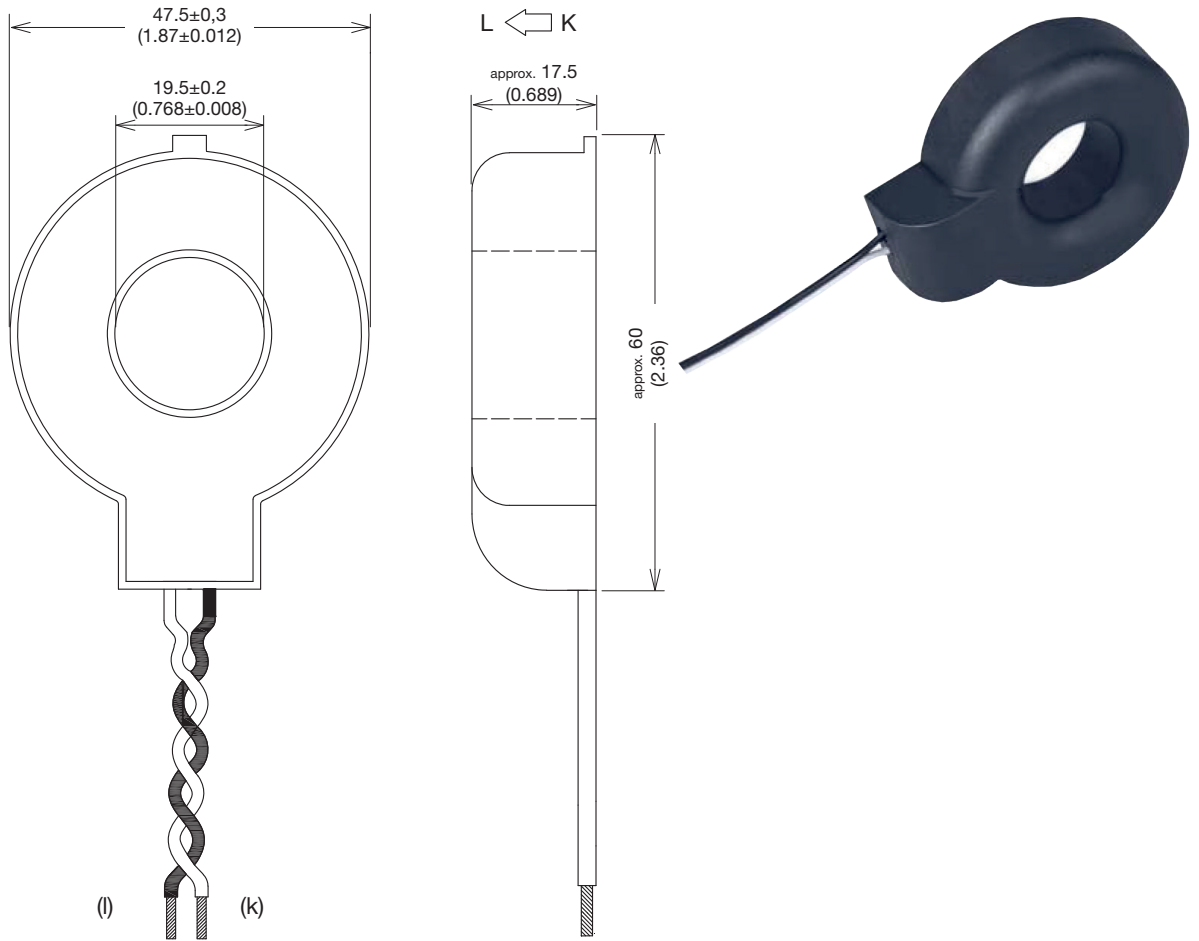
Specification	Data
Primary current	50 A
Round conductor	8.3 mm (0.327 in)
Approx. weight	190 g (0.419 lb)
Output signal	333 mV
PVC connection wires	18 AWG
Accuracy class	0.5
Frequency	50 - 60 Hz
Insulation voltage	3510 V/5S
Working temperature	-15 °C to 70 °C (5 °F to 158 °F)
Storage temperature	-25 °C to 85 °C (-13 °F to 185 °F)
Standards	RoHS compliant, UL 2808, IEC61010-1
Housing	Rigid housing case with UL 94 V-0 durable plastic
Phase error at nominal current	$\leq 0.5^\circ$
Insulation resistance	DC 500 V / 100 M Ω min

CT-012-500-100



Specification	Data
Primary current	100 A
Round conductor	12.8 mm (0.504 in)
Approx. weight	200 g (0.44 lb)
Output signal	333 mV
PVC connection wires	18 AWG
Accuracy class	0.5
Frequency	50 - 60 Hz
Insulation voltage	3510 V/5S
Working temperature	-15 °C to 70 °C (5 °F to 158 °F)
Storage temperature	-25 °C to 85 °C (-13 °F to 185 °F)
Standards	RoHS compliant, UL 2808, IEC61010-1
Housing	Rigid housing case with UL 94 V-0 durable plastic
Phase error at nominal current	≤0.5°
Insulation resistance	DC 500 V / 100 MΩmin

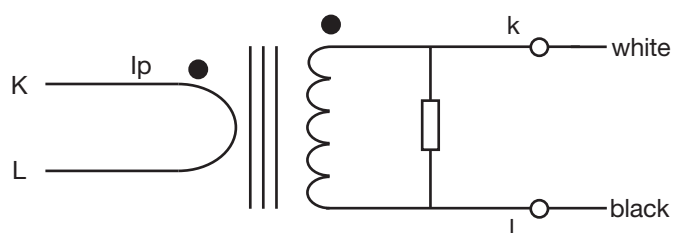
CT-019-500-250



all dimensions in mm (in)

Specification	Data
Primary current	250 A
Round conductor	19.5 mm (0.768 in)
Approx. weight	245 g (0.54 lb)
Output signal	333 mV
PVC connection wires	18 AWG
Accuracy class	0.5
Frequency	50 - 60 Hz
Insulation voltage	7400 Vac/5S
Working temperature	-10 °C to 65 °C (14 °F to 149 °F)
Storage temperature	-25 °C to 85 °C (-13 °F to 185 °F)
Standards	ANSI C57.13, IEC61869-2, RoHS compliant
Housing	Rigid housing case with UL 94 V-0 durable plastic
Phase error at nominal current	≤0.5°
Insulation resistance	DC 500 V / 100 MΩmin

CONNECTION



Applications
Energy measurement products
Load monitoring
Network equipment
Instruments and sensors
Control systems

OVERVIEW & PART NUMBER

Type	Part number	Primary current	Ø mm (in)	Cable length m (in)	Accuracy class
CT-009-500-50	1503344	50 A	8.3 (0.327)	5	0.5
CT-012-500-100	1503345	100 A	12.8 (0.504)	5	0.5
CT-019-500-250	1503346	250 A	19.5 (0.768)	5	0.5

Janitza[®]

Janitza electronics GmbH
Vor dem Polstück 6 | 35633 Lahnau
Germany

Tel. +49 6441 9642-0
info@janitza.com | www.janitza.com