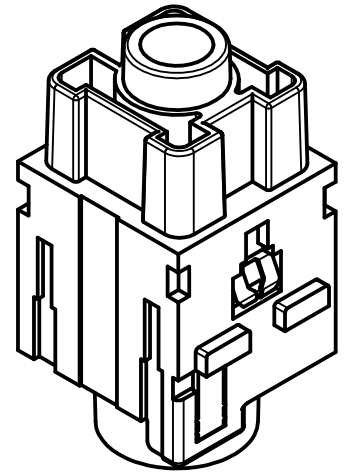


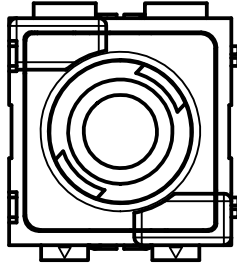
1

2

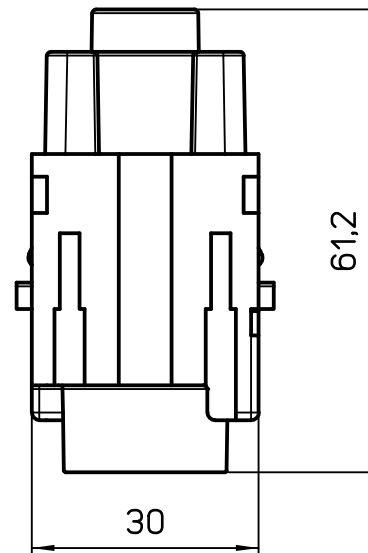
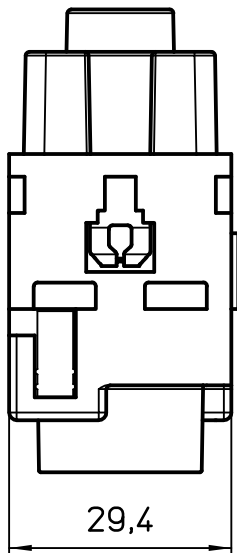
A



A



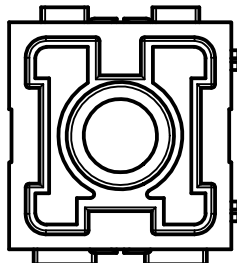
B



B

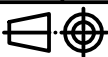
Diritti riservati All rights reserved

C



C

REV. DATE SIGNATURE

Dimensions
in mm

Simplified representation with dimensions without tolerance

Original Size A4

Date 14/02/23

Sign. S.Diasparra

CX 01 30PEF

Female PE modular insert, crimp, 1 PE pole 300 A, with integrated PE plate,
for C30 contacts size 16, 25, 35, 50 and 70Scale
1:1

1

2