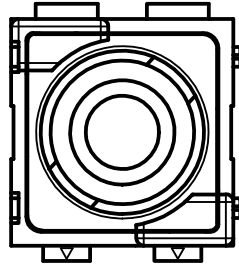
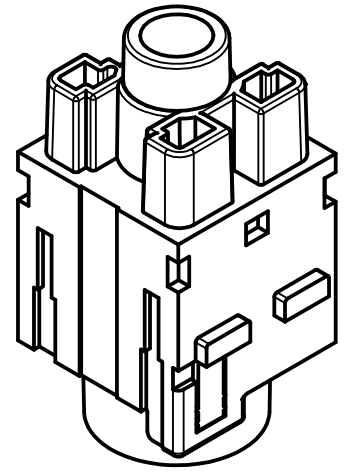
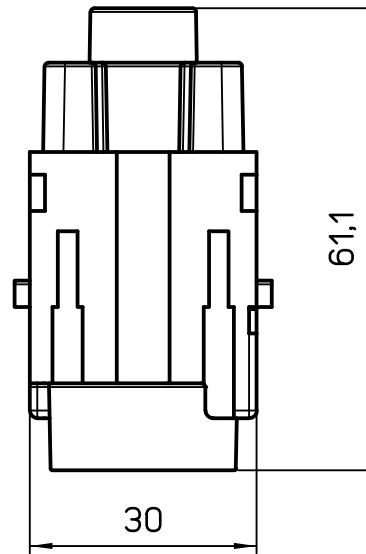
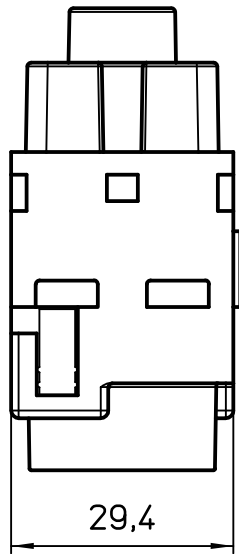


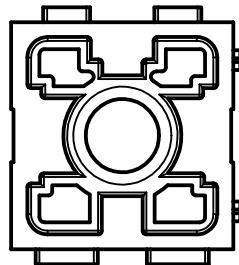
A



B



C



Diritti riservati All rights reserved

REV.	DATE	SIGNATURE
------	------	-----------



Dimensions in mm

Simplified representation with dimensions without tolerance

Original Size A4
Date 14/02/23
Sign. S.Diasparra

CX 01B 30F
 Female modular insert, crimp, 1 pole 300 A 1000 V 8 kV 3 - 1300 Vdc
 for C30 contacts size 95 and 120

Scale 1:1

