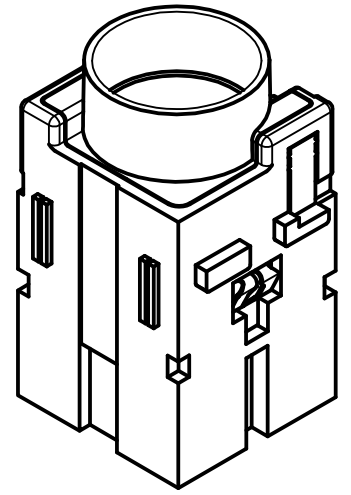
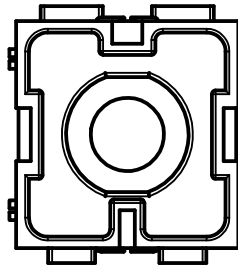


A

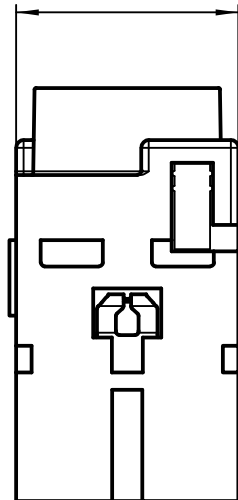


A

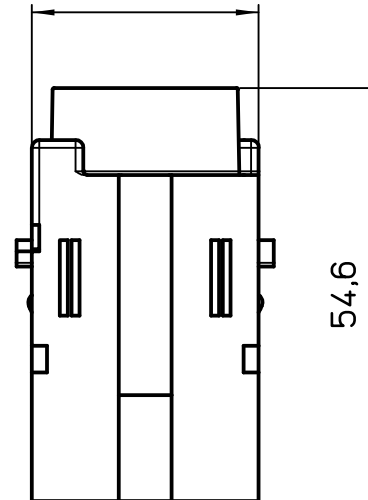


B

29,4



30

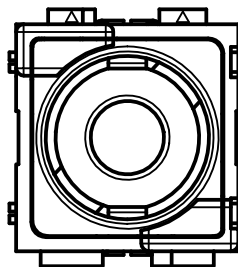


54,6

B

Diritti riservati All rights reserved

C



C

REV.	DATE	SIGNATURE



Dimensions in mm

Simplified representation with dimensions without tolerance

Original Size A4

Date 14/02/23

Sign. S.Diasparra

CX 01B 30PEM

Male PE modular insert, crimp, 1 PE pole 300 A, with integrated PE plate, for C30 contacts size 95 and 120

Scale 1:1

