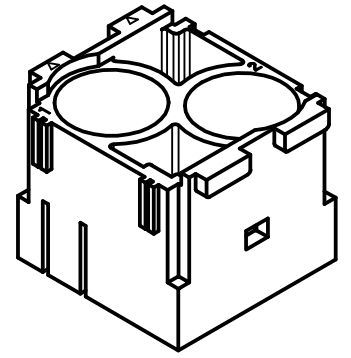
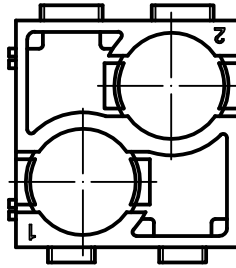


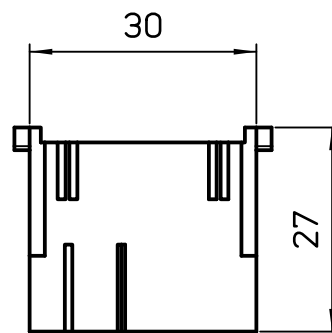
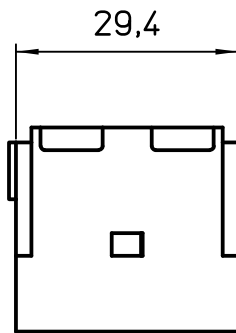
A



A



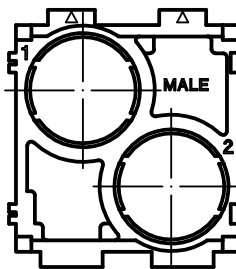
B



B

Diritti riservati All rights reserved

C



C

REV.	DATE	SIGNATURE		
Dimensions in mm		Simplified representation with dimensions without tolerance		
Original Size A4		CX 02 MPBM Male modular unit with 2 seats, for size 8.0 and 10 metal removable pneumatic contacts	Scale	
Date 14/02/23			1:1	
Sign. S.Diasparra				