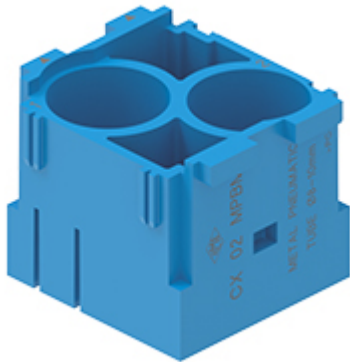


Part number

CX 02 MPBM



Male modular insert, Mixo series, for pneumatic contacts, 1 module, with 2 seats for tube diameter 8,0-10 mm

Product description

Product type	Modular insert
Series	Mixo
Connection type	Pneumatic
Gender	
N. of poles	2 poles
Size	2 modules
Specification	With 2 seats for tube diameter 8,0-10 mm

Further technical details

Mating cycles	≥ 500 ≥ 10.000 (HNM MIXO frames and enclosures)
Insulation resistance	≥ 10 G Ω
Weight	0,17 g
Operating temperature range (min, max)	-40°C ... +80°C
UL 94 flammability rating	V-0

Material properties

Main material	Polycarbonate (PC)
Colour	RAL 5015 blue
RoHs conformity	Compliant
China RoHs - EFUP	E
REACH SVHC substances	No

General ordering information

EAN13 code	8015747193382
eCl@ss 8.1	27440205
ETIM 7.0	EC000438

Packaging Information

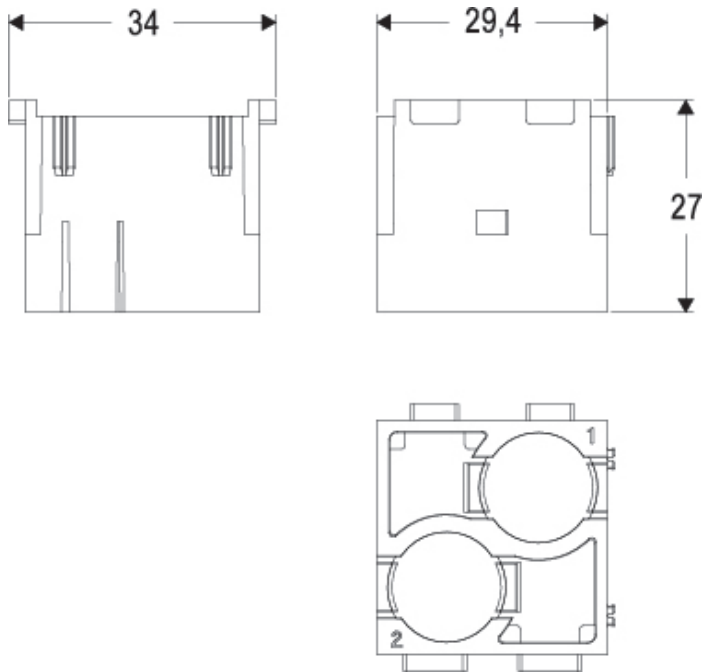
Packaging length	350,00 mm
Packaging height	105,00 mm
Packaging width	145,00 mm
Packaging volume	5,33 dm ³
Packaging description	Carton box
Packaging quantity	60 Pcs
Packaging EAN code	8015747193399
Sub-packaging length	35,00 mm
Sub-packaging height	40,00 mm
Sub-packaging width	155,00 mm
Sub-packaging volume	0,22 dm ³
Sub-packaging description	Carton tray
Sub-packaging quantity	5 Pcs
Sub-packaging EAN barcode	8015747193412

Part number

CX 02 MPBM



Catalogue drawings



Notes

Dimensions shown in mm are not binding and may be changed without notice.

Warnings:

- 1) Please note that the VDE-Directives do not allow the combination of electrical and liquid connections within the same connector for clear safety reasons.
- 2) CRM/F CX code pins and guides must be used for pneumatic contacts modules.
These pins also provide coding if pneumatic contacts modules are used exclusively.

Use of units for pneumatic contacts

- identical male and female modular units
- pneumatic contacts for pressure values up to 8 bar, for use with clean and dry compressed air
- contacts for gas and liquids on request (see warning)
- use of tubes with \varnothing 1.6 - 3 - 4 and 6 mm, and possible replacement of tubes with assembled units
- possibility of using tubes with different diameters in the same modular unit
- female contacts with or without closing valve
- working temperature range - 40 °C ÷ + 80 °C