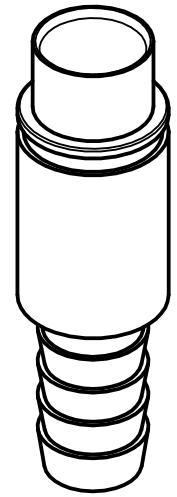


1

2

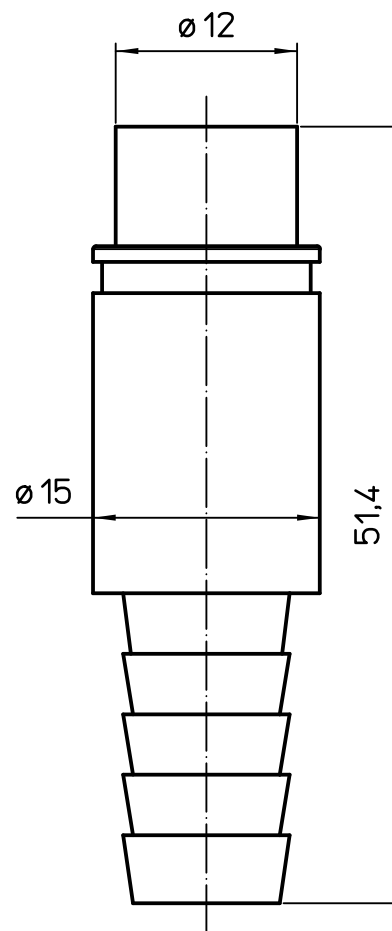
A

A



B

B



C

C

Diritti riservati All rights reserved

REV.	DATE	SIGNATURE



Simplified representation with dimensions without tolerance

Original Size A4

Date 19/01/23

Sign. S.Diasparra

CX 10 MPF

Female metal pneumatic contact, straight, with hose barbs, tube inner \varnothing 10 mm without shut-off valveScale
2:1

1

2