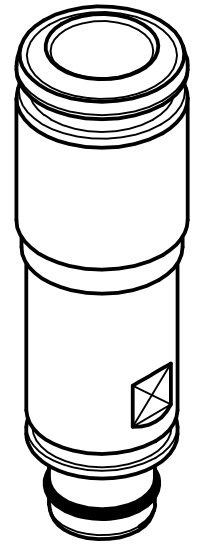


A

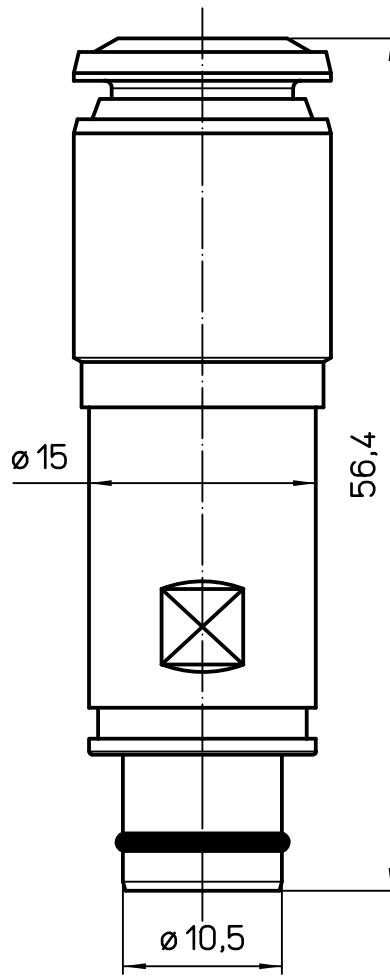
A



Diritti riservati All rights reserved

B

B



C

C

REV.	DATE	SIGNATURE
------	------	-----------



Simplified representation with dimensions without tolerance

Original Size A4
Date 19/01/23
Sign. S.Diasparra

CX 10 MPQM
 Male metal pneumatic contact, straight, with quick-fitting tube outer Ø 10 mm
 without shut-off valve

Scale
 2:1

