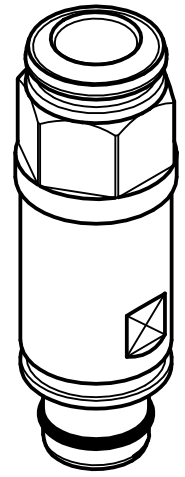


A

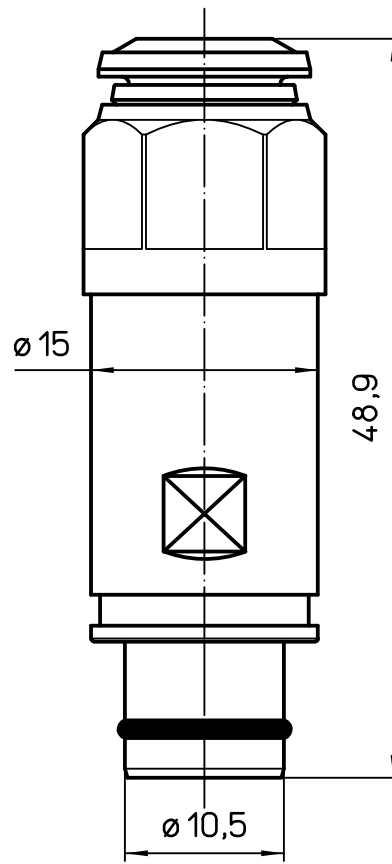
A



Diritti riservati All rights reserved

B

B



C

C

REV.	DATE	SIGNATURE
------	------	-----------



Dimensions in mm

Simplified representation with dimensions without tolerance

Original Size A4

Date 19/01/23

Sign. S.Diasparra

CX 8.0 MPQM

Male metal pneumatic contact, straight, with quick-fitting tube outer $\varnothing 8$ mm without shut-off valve

Scale 2:1

