

# FMH 18

## Photoelectric diffuse sensor with background suppression



### PRODUCT HIGHLIGHTS

- Scanning distance: 40 ... 120 mm
- Red light, 660 nm
- Background suppression
- Robust metal housing
- Metal M18 threaded sleeve
- Antivalent switching outputs

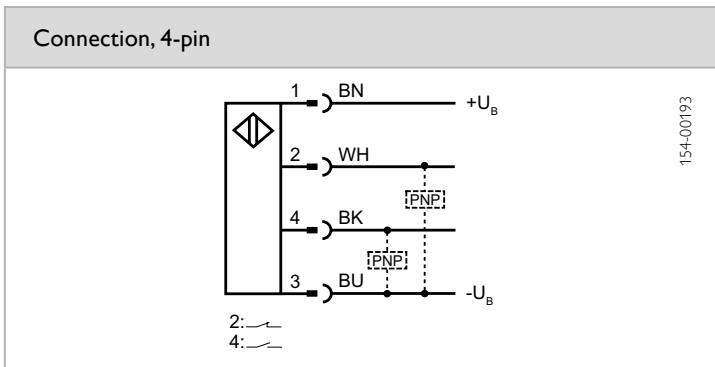
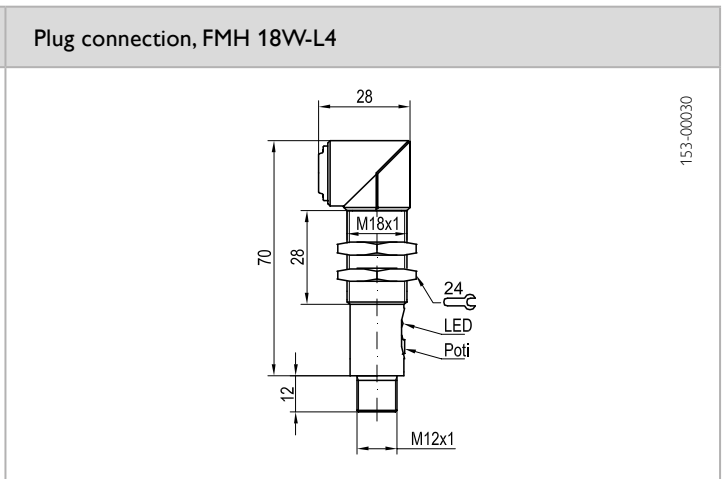
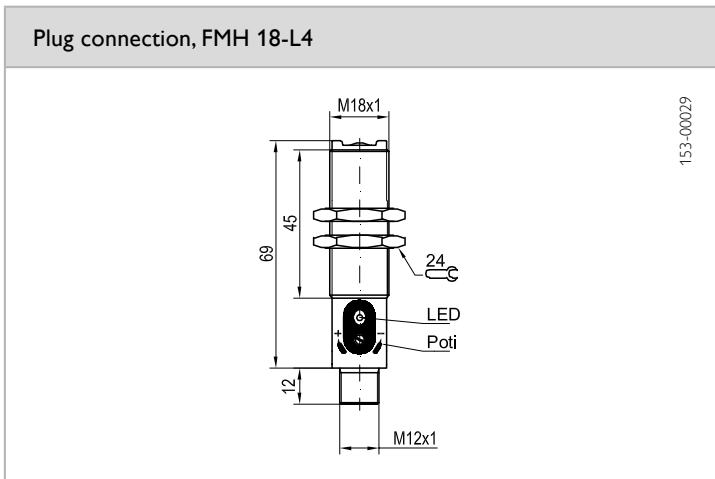
Optical data		Functions	
Scanning distance	40 ... 120 mm <sup>1</sup>	Indicator LED, yellow	Switching state indicator
Type of light	Red, 660 nm	Scanning distance adjustment	Via 18-step potentiometer
Light spot size	8 x 10 mm <sup>2</sup>		
Electrical data		Mechanical data	
Operating voltage, +U <sub>B</sub>	10 ... 30V DC <sup>3</sup>	Dimensions	See dimensional drawings
No-load current, I <sub>0</sub>	≤ 30 mA	Dimensions (angled)	See dimensional drawings
Output current, I <sub>e</sub>	200 mA	Enclosure rating	IP 67 <sup>4</sup>
Protective circuits	Reverse-polarity protection, U <sub>B</sub> / short-circuit protection	Material, housing	Brass, nickel-plated
Protection Class	2	Material, front screen	Glass
Power On Delay	≤ 300 ms	Type of connection	See selection table
Switching output, Q	PNP	Ambient temperature: operation	-20 ... +60 °C
Output function	N.O./N.C.	Ambient temperature: storage	-20 ... +80 °C
Switching frequency, f (ti/tp 1:1)	600 Hz	Weight (plug device)	60 g
Connection, BK	N.O.	Weight (cable device)	160 g
Connection, WH	N.C.		

<sup>1</sup> Reference material: Kodak grey, 18 % reflectivity    <sup>2</sup> At scanning distance of 100 mm    <sup>3</sup> 10 % ripple, within U<sub>B</sub>    <sup>4</sup> With connected IP 67 plug

Scanning distance	Light exit	Switching output	Type of connection	Part number	Article number
40 ... 120 mm	Straight	PNP, antivalent	Plug, M12, 4-pin	FMH 18-L4	518-51505
40 ... 120 mm	90° angle	PNP, antivalent	Plug, M12, 4-pin	FMH 18W-L4	518-51507
40 ... 120 mm	Straight	PNP, antivalent	Cable, 3 m, 4-wire	FMH 18	518-51504
40 ... 120 mm	90° angle	PNP, antivalent	Cable, 3 m, 4-wire	FMH 18W	518-51506

### Accessories

Connection cables	From Page A-38
Brackets	From Page A-4



8

