



Inductive Sensors Serie 30 - NAMUR EN 60947-5-6

Compact housing 50 x 17 x 21 mm

- Inductive sensor for contact-less door monitoring
- For use in areas with the risk of gas explosion, zone 0
- Housing material: PA
- Sensing distance $S_n = 5$ mm

DMT 03 ATEX E 048

IECEX BVS 07.0031

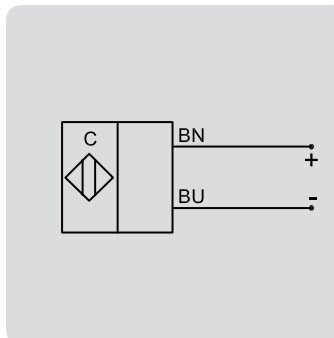
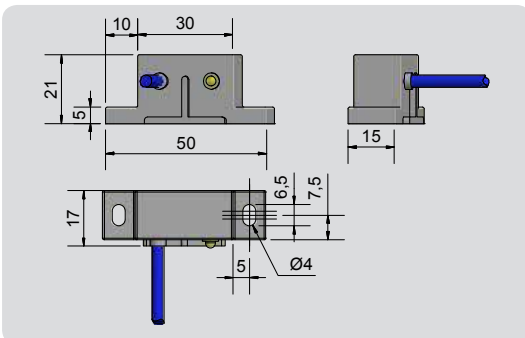
Ex II 1G Ex ia IIC T1-T6 Ga

Ex ia IIC T1-T6 Ga



Technical data	Flush mountable
Operating distance S_n	5 mm
Electrical version	2-wire DC
Output function	NAMUR DIN 60947-5-6
Type	IAS-30-D5-N-K
Art. No.	IA 9511
Operating voltage (U_b)	5- 15 V DC, $U_i = 15$ V DC
Output current active surface free	> typ 2 mA
Output current active surface covered	< typ. 1.5 mA
Self-inductance (L)	2 mH
Self-capacitance (C)	250 nF
Permitted residual ripple max.	5 %
Frequency of operating cycles max.	1 kHz
Permitted ambient temperature	-20...+70 °C
LED-display	Yellow
Degree of protection IEC 60529	IP 67
Connection cable	2 m, PUR, 2 x 0.2 mm ²
Housing material	PA
Active surface	PA

All specifications are subject to change without notice. (16.05.2018)



Matching Ex barriers can be offered on request.

Made in Korea