

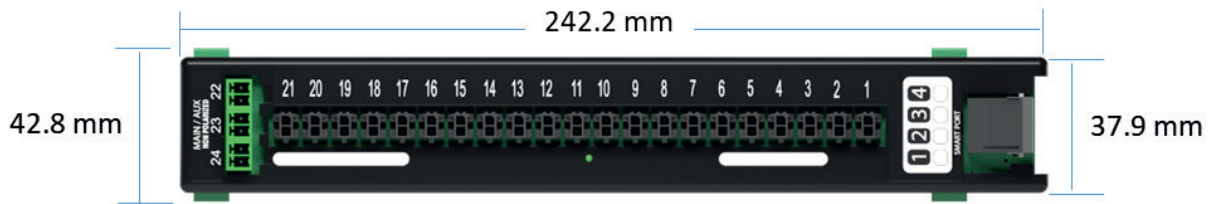
DIN Rail CT Interface Floating Board

for the UMG 804

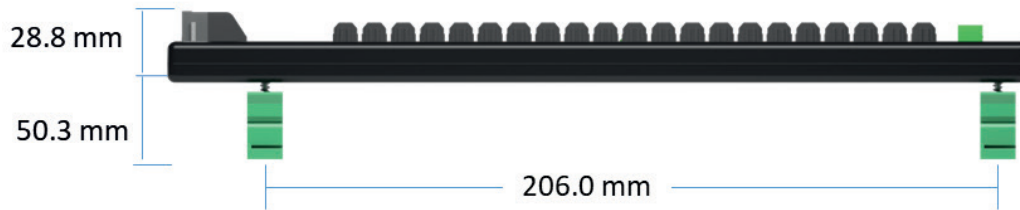
Data sheet

DEVICE VIEWS

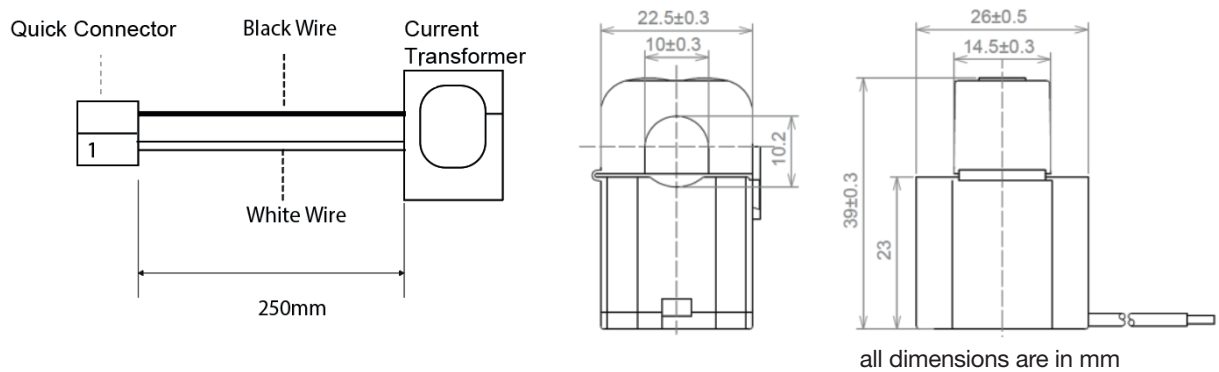
Front view



Side view



Branch Circuit Current Transformer



Example with CT-SC-010
 Further information can be found in the separate data sheet for the current transformers.

TECHNICAL DATA

General Specifications	
Device dimensions (approx.)	l=242.2 mm, w=42.8 mm, d=79.1mm (l=9.54 in, w=1.69 in, d=3.114 in)
Current channels	24 (21 branch circuits plus 3 main inputs per card) main inputs may be used for branch circuits
Current transformer output	0.33 V output
Branch and Auxiliary current transformer range	10 – 6,000 A
Current transformer type(s)	Solid core and split core
Installations of overvoltage category	internally fused; install external fuse as required by code
Current transformer terminal wire size for auxiliary input terminals	14 – 24 AWG
Input terminal type for main inputs	Plug in terminal blocks with slot screw terminal
Input terminal type for branch circuits	Polarized mating connector
UMG 804 interface connector	RJ45 (Ethernet cable)
Maximum RJ45 cable length to UMG 804	33 m (100')
Mounting system	DIN rail (35 mm) or floating
Cards per UMG 804	Up to 4
Auto CT orientation and polarity correction	CTs to be installed in any orientation
Local status LED onboard	off = not discovered, on 100% = discovered with no data reporting, blinking = discovered and reporting data
Current sampling rate	> 3 kHz
Current resolution	0.01 A for 50 A branch circuit current transformers
Working temperature range	0° to 60°C (32 to 140°F)
Relative humidity	< 95 % RH (without condensation)
Accuracy Measurement uncertainty on the device applies when using the following metering ranges. The measured value must be within the specified limits. The measurement uncertainty is not specified outside of these limits.	
Accuracy (card only)	> 0.2 %
Accuracy (combined as a calibrated system)	IEC 61557-12 Class 0.5; IEC 62053-22 Class 0.5S

Janitza electronics GmbH
Vor dem Polstück 6
35633 Lahnau, Germany
Support Tel. +49 6441 9642-22
e-mail: info@janitza.com
www.janitza.com

Subject to technical alterations

Janitza[®]