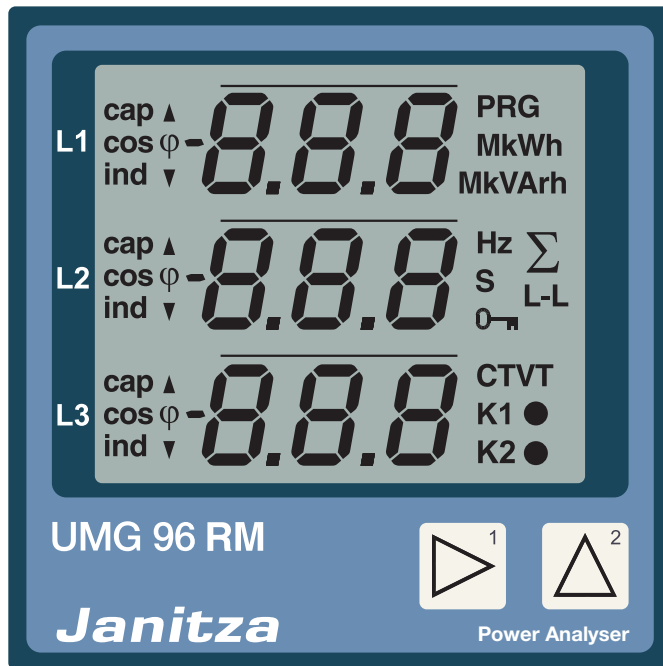


Power Analyser

UMG 96RM-E

Modbus-address list
and Formulary



Contents

Modbus	4
Modbus functions (master)	4
Modbus functions (slave)	4
Transfer parameters	5
Byte sequence	5
Update rate	5
Measured values	5
Number formats	5
Symbols and definitions	5
Explanations of the measured values	6
Parameter	14
Parameter II	16
Adress list	19
Frequently required readings	19
Measured values, type float	20
Measured values, type short	22
Mean values, type float	24
Mean values, type short	26
Minimum values, type float	28
Minimum values, type short	29
Maximum values, type float	30
Maximum values, type short	32
Maximum values of mean values, type float	34
Maximum values of mean values, type short	35
Energy, type Integer	36
Energy, type float	40
Peak indicator (drag indicator)	46
Other values	48
Limit value monitoring	52
Minimum values, time stamp	58
Maximum values, time stamp	59
Fourier analysis	62
Measured values, type float, fourier analysis	62
Measured values, type short, fourier analysis	70
Mean values, type float, fourier analysis	78
Mean values, type short, fourier analysis	86
Maximum values, type float, fourier analysis	94
Maximum values, type short, fourier analysis	102

Copyright

This handbook is subject to the legal regulations of the copyright laws and may not be fully or partially photocopied, reprinted or reproduced mechanically or electronically and may not be copied or published in any other way without the legal, written permission of

Janitza electronics GmbH
Vor dem Polstück 6
D35633 Lahnau
Germany

Protected trademarks

All trademarks and the resulting rights belong to the respective owners of these rights.

Disclaimer

Janitza electronics GmbH does not accept any responsibility for errors or faults within this handbook and does not accept any obligation to keep the contents of this handbook updated.

Comments on the handbook

We welcome your comments. If anything appears to be unclear in this handbook, please let us know and send us an E-MAIL to:
info@janitza.de

Modbus

Modbus functions (master)

As a master, the UMG 96RM-E supports the following modbus functions;

01 Read Coil Status

Reads the ON/OFF status of discrete outputs (0X references, coils) in the slave. Broadcast is not supported.

02 Read Input Status

Reads the ON/OFF status of discrete inputs (0X references) in the slave. Broadcast is not supported.

03 Read Holding Registers

Reads the binary contents of holding registers (4X references) in the slave.

04 Read Input Registers

Reads the binary contents of input registers (3X references) in the slave.

05 Force Single Coil

Forces a single coil (0X references) to either ON or OFF. When broadcast, the function forces the same coil reference in all attached slaves.

06 Preset Single Register

Presets a value into a single holding register (4X reference). When broadcast, the function presets the same register reference in all attached slaves.

15 (0F Hex) Force Multiple Coils

Forces each coil (0X references) in a sequence of coils to either ON or OFF. When broadcast, the function forces the same coil reference in all attached slaves.

16 (10Hex) Preset Multiple Registers

Presets values into a sequence of holding registers (4X references). When broadcast, the function presets the same register references in all attached slaves.

23 (17Hex) Read/Write 4X Registers

Performs a combination of one read and one write operation in a single Modbus transaction. The function can write new contents to a group of 4XXXX registers, and then return the contents of another group of 4XXXX registers. Broadcast is not supported.

Modbus functions (slave)

As a slave, the UMG 96RM-E supports the following modbus functions:

03 Read Holding Registers

Reads the binary contents of holding registers (4X references) in the slave.

04 Read Input Registers

Reads the binary contents of input registers (3X references) in the slave.

06 Preset Single Register

Presets a value into a single holding register (4X reference). When broadcast, the function presets the same register reference in all attached slaves.

16 (10Hex) Preset Multiple Registers

Presets values into a sequence of holding registers (4X references). When broadcast, the function presets the same register references in all attached slaves.

23 (17Hex) Read/Write 4X Registers

Performs a combination of one read and one write operation in a single Modbus transaction. The function can write new contents to a group of 4XXXX registers, and then return the contents of another group of 4XXXX registers. Broadcast is not supported.

Transfer parameters

The UMG 96RM-E supports the following transfer parameters:

Baud rate	: 9600, 19200, 38400, 57600 and 115200 Baud
Data bits	: 8
Parity	: none
Stop bits (UMG96RM)	: 2
Stop bits external	: 1 or 2

Byte sequence

The data in the modbus address list can be called up in the

- Big-Endian (high-Byte before low-Byte) and in the
- Little-Endian (low-byte before high-byte)

format.

The addresses described in this address list supply the data in the „Big-Endian“ format.

If you require the data in the „Little-Endian“ format, you must add the value 32768 to the address.

Update rate

The modbus register addresses are updated every 200ms.

Measured values

- Measured values in the **short** format do not take into account the set transformer ratio, i.e. these measured values have to be multiplied by the corresponding transformer factor!
- Measured values in **float or integer format** take into account the corresponding transformer factors!

Number formats

Type	Size	Minimum	Maximum
char	8 bit	0	255
byte	8 bit	-128	127
short	16 bit	-2^{15}	$2^{15} - 1$
ushort	16 bit	0	$2^{16} - 1$
int	32 bit	-2^{31}	$2^{31} - 1$
uint	32 bit	0	$2^{32} - 1$
long64	64 bit	-2^{63}	$2^{63} - 1$
float	32 bit	IEEE 754	IEEE 754
double	64 bit	IEEE 754	IEEE 754

Symbols and definitions

N	Total number of sample points per period (For example, in a period of 20 ms)
k	Sample value or number of samples per period ($0 \leq k < N$)
p	Number or identification of the phase conductor ($p = 1, 2$ oder 3)
i_{pk}	Sample value k of the current of the phase conductor p
u_{pNk}	Sample value k of the neutral voltage of the phase conductor p
P_p	Real power of the phase conductor p

Explanations of the measured values

Measured value

- A measured value is an effective value which is formed over a period (measuring window) of 200ms.
- A measuring window is 10 periods in the 50Hz network and 12 periods in the 60Hz network.
- A measuring window has a start time and an end time.
- The resolution between the start time and end time is approximately 2ns.
- The accuracy of the start time and end time depends on the accuracy of the internal clock.
(Typically +/- 1 minute/month)
- In order to improve the accuracy of the internal clock, it is recommended that the clock in the device is compared with a time service and reset.



The addresses in the range from 0-999 listed in this document can be adjusted directly on the device. The address range over 1,000 can only be edited via Modbus!

Mean value of measured value

- For each measured value, a sliding mean value is calculated over the selected averaging time.
- The mean value is calculated every 200ms.
- You can take the possible averaging times from the table.

n	Mean time / seconds
0	5
1	10
2	15
3	30
4	60
5	300
6	480
7	600
8	900

Max. value of measured value

- The *max. value of the measured value* is the largest measured value which has occurred since the last deletion.

Min. value of measured value

- The *min. value of the measured value* is the lowest measured value which has occurred since the last deletion.

Max. value of mean value

- The *max. value of the mean value* is the largest mean value which has occurred since the last deletion.

Nominal current, voltage, frequency

- The limit values for events and transients are set by the nominal value in percentage.

Nominal current I_{rated}

- The I_{rated} is the nominal current of the transformers and is required for calculation of the K-factor.

Peak value negative

- Highest negative sampling value from the last 200ms measuring window..

Peak value positive

- Highest positive sampling value from the last 200ms measuring window.

Crest factor

- The crest factor describes the relation between the peak value and effective value of a periodic quantity. It serves as a characteristic value for general description of the curve form of a periodic quantity. The distortion factor is another example of a quantity for characterization of the difference from the pure sinusoidal form.
- Example: A sinusoidal change voltage with an effective value of 230 V has a peak value of approx. 325 V. The crest factor is then $325 \text{ V} / 230 \text{ V} = 1.414$.

Effective value of the current for phase conductor p

$$I_p = \sqrt{\frac{1}{N} \cdot \sum_{k=0}^{N-1} i_{pk}^2}$$

Effective value of neutral conductor current

$$I_N = \sqrt{\frac{1}{N} \cdot \sum_{k=0}^{N-1} (i_{1k} + i_{2k} + i_{3k})^2}$$

Effective voltage L-N

$$U_{pN} = \sqrt{\frac{1}{N} \cdot \sum_{k=0}^{N-1} u_{pNk}^2}$$

Effective voltage L-L

$$U_{pg} = \sqrt{\frac{1}{N} \cdot \sum_{k=0}^{N-1} (u_{gNk} - u_{pNk})^2}$$

Star connection voltage (vectorial)

$$U_{\text{Sternpunktspannung}} = U_{1ms} + U_{2ms} + U_{3ms}$$

Real power for phase conductor

$$P_p = \frac{1}{N} \cdot \sum_{k=0}^{N-1} (u_{pNk} \times i_{pk})$$

Apparent power for phase conductor

- Unsigned

$$S_p = U_{pN} \cdot I_p$$

Total apparent power (arithmetic) S_A

- Unsigned

$$S_A = S_1 + S_2 + S_3$$

Peak demand P_{\max}

- T = Periodic time
- t_n = n-th interval time
- P_n = n-th Power measurement value
- N = Number of measuring intervals in the period T

$$P_{\max} = \max \left(P_{\max}; \frac{1}{T} \sum_{n=1}^N (t_n \cdot P_n) \right)$$

Order number of harmonics

xxx[0] = mains frequency (50Hz/60Hz)
 xxx[1] = 2nd harmonic (100Hz/120Hz)
 xxx[2] = 3rd harmonic (150Hz/180Hz)
 etc.

THD

- THD (Total Harmonic Distortion) is the distortion factor and provides the relation of the harmonic parts of an oscillation to the mains frequency.

Distortion factor THD (U) for the voltage

- M = 40 (UMG604, UMG508, UMG96RM)
- M = 50 (UMG605, UMG511)
- fund corresponds to n=1

$$THD_U = \frac{1}{|U_{fund}|} \sqrt{\sum_{n=2}^M |U_{n.Harm}|^2}$$

Distortion factor THD (I) for the current

- M = 40 (UMG604, UMG508, UMG96RM)
- M = 50 (UMG605, UMG511)
- fund corresponds to n=1

$$THD_I = \frac{1}{|I_{fund}|} \sqrt{\sum_{n=2}^M |I_{n.Harm}|^2}$$

ZHD

- THD for the interharmonics.
- Is calculated in the product series and UMG511 UMG605.

Interharmonics

- Sinusoidal oscillations, which frequencies are not a multiple integer of the mains frequency.
- Is calculated in the product series and UMG511 UMG605.
- Calculation and measurement methods in accordance with the DIN EN 61000-4-30.
- The order number of inter harmonics corresponds to the order number of the next smallest harmonic. For example, between the 3rd and 4th harmonic of the 3rd inter harmonics.

TDD (I)

- TDD Total demand distortion, harmonic current distortion in % of maximum demand load current
- IL = Maximum demand load current
- M = 40 (UMG604, UMG508, UMG96RM)
- M = 50 (UMG605, UMG511)

$$TDD = \frac{1}{I_L} \sqrt{\sum_{n=2}^M I_n^2} \times 100\%$$

Ripple control signal U (EN61000-4-30)

The ripple control signal U is a voltage (200ms measured value) which is measured at a carrier frequency specified by the user. Only frequencies beneath 3kHz are observed.

Ripple control signal I

The ripple control signal I is a current (200ms measured value) which is measured at a carrier frequency specified by the user. Only frequencies beneath 3kHz are observed.

Positive sequence-negative sequence-zero sequence

- The extent of a voltage or current imbalance in a three-phase system is identified using the positive sequence, negative sequence and zero sequence components.
- The balance of the rotation current system strived for in normal operation is disturbed by the unsymmetrical loads, errors and equipment.
- A three-phase system is called symmetric, when the three phase conductor voltages and currents are the same size and are displaced against each other by 120°. If one or both conditions are not fulfilled, the system is described as unsymmetrical. By calculating the symmetrical components consisting of the positive sequence, negative sequence and zero sequence, the simplified analysis of an imbalanced error is possible in a rotary current system..
- Imbalance is a feature of the network quality for the limits specified in international norms (EN 50160 for example).

Positive sequence

$$U_{Mit} = \frac{1}{3} \left| U_{L1,fund} + U_{L2,fund} \cdot e^{j\frac{2\pi}{3}} + U_{L3,fund} \cdot e^{j\frac{4\pi}{3}} \right|$$

Negative sequence

$$U_{Geg} = \frac{1}{3} \left| U_{L1,fund} + U_{L2,fund} \cdot e^{-j\frac{2\pi}{3}} + U_{L3,fund} \cdot e^{-j\frac{4\pi}{3}} \right|$$

Zero sequence

$$U_{Nullsystem} = \frac{1}{3} \left| U_{L1,fund} + U_{L2,fund} + U_{L3,fund} \right|$$

A zero component can only occur if a sum current can flow back through the main conductor.

Voltage imbalance

$$Unsymmetrie = \frac{U_{Geg}}{U_{Mit}}$$

Under difference U (EN61000-4-30)

$$U_{unter} = \frac{U_{din} - \sqrt{\frac{\sum_{i=1}^n U_{rms-unter,i}^2}{n}}}{U_{din}} [\%]$$

Under difference I

$$I_{unter} = \frac{I_{Nennstrom} - \sqrt{\frac{\sum_{i=1}^n I_{rms-unter,i}^2}{n}}}{I_{Nennstrom}} [\%]$$

K-factor

- The K-factor describes the increase of the eddy current losses when loaded with harmonics. For a sinusoidal load on the transformer, the K-factor =1. The larger the K-factor, the heavier a transformer can be loaded with harmonics without overheating.

Power Factor (vectorial) - Lambda

- The power factor is unsigned.

$$PF_x = \frac{|P_x|}{S_x}$$

$$x = L1, L2, L3, L4$$

CosPhi - Fundamental Power Factor

- Only the mains frequency part is used for calculation of the cosphi.
- CosPhi sign:
 - = for the supply of real power
 - + = for obtaining real power

$$PF_1 = \cos(\varphi) = \frac{P_1}{S_1}$$

CosPhi total

- CosPhi sign:
 - = for the supply of real power
 - + = for obtaining real power

$$\cos(\varphi)_{Sum_3} = \frac{P_{1_fund} + P_{2_fund} + P_{3_fund}}{\sqrt{(P_{1_fund} + P_{2_fund} + P_{3_fund})^2 + (Q_{1_fund} + Q_{2_fund} + Q_{3_fund})^2}}$$

$$\cos(\varphi)_{Sum_4} = \frac{P_{1_fund} + P_{2_fund} + P_{3_fund} + P_{4_fund}}{\sqrt{(P_{1_fund} + P_{2_fund} + P_{3_fund} + P_{4_fund})^2 + (Q_{1_fund} + Q_{2_fund} + Q_{3_fund} + Q_{4_fund})^2}}$$

Phase Angle Phi

- The phase angle between current and voltage of the external conductor p is calculated according to DIN EN 61557-12 and displayed.
- The sign of the phase angle corresponding to the sign of the reactive power.

Mains frequency power factor

The mains frequency power factor is the power factor of the mains frequency and is calculated using the fourier analysis (FFT). The voltage and current must not be sinusoidal. All in the device calculated reactive power are resulting of fundamental reactive power.

Power factor sign

- Sign $Q = +1$ for phi in the range $0^\circ \dots 180^\circ$ (inductive)
- Sign $Q = -1$ for phi in the range $180^\circ \dots 360^\circ$ (capacitive)

$$\text{Vorzeichen } Q(\varphi_p) = +1 \text{ falls } \varphi_p \in [0^\circ - 180^\circ]$$

$$\text{Vorzeichen } Q(\varphi_p) = -1 \text{ falls } \varphi_p \in [180^\circ - 360^\circ]$$

Reactive power for phase conductor p

- Reactive power of the mains frequency.

$$Q_{fundp} = \text{Vorzeichen } Q(\varphi_p) \cdot \sqrt{S_{fundp}^2 - P_{fundp}^2}$$

Total reactive power

- Reactive power of the mains frequency.

$$Q_V = Q_1 + Q_2 + Q_3$$

Distortion power factor

- The distortion power factor is the power factor of all mains frequencies and is calculated using the fourier analysis (FFT).
- The apparent power „S” contains all fundamental harmonics and all harmonic rates up to the M-th harmonic.
- The effective power „P” contains all fundamental harmonics and all harmonic rates up to the M-th harmonic.
- M = 50 (UMG605, UMG605-PRO, UMG511, UMG512-PRO)

$$D = \sqrt{S^2 - P^2 - Q_{fund}^2}$$

Reactive energy per phase

$$E_{r_{L1}} = \int Q_{L1}(t) \cdot \Delta t$$

Reactive energy per phase, inductive

$$E_{r(ind)_{L1}} = \int Q_{L1}(t) \cdot \Delta t \quad \text{für } Q_{L1}(t) > 0$$

Reactive energy per phase, capacitive

$$E_{r(cap)_{L1}} = \int Q_{L1}(t) \cdot \Delta t \quad \text{für } Q_{L1}(t) < 0$$

Reactive energy, sum L1-L3

$$E_{r_{L1,L2,L3}} = \int (Q_{L1}(t) + Q_{L2}(t) + Q_{L3}(t)) \cdot \Delta t$$

Reactive energy, sum L1-L3, inductive

$$E_{r(ind)_{L1,L2,L3}} = \int (Q_{L1}(t) + Q_{L2}(t) + Q_{L3}(t)) \cdot \Delta t$$

für $(Q_{L1}(t) + Q_{L2}(t) + Q_{L3}(t)) > 0$

Reactive energy, sum L1-L3, capacitive

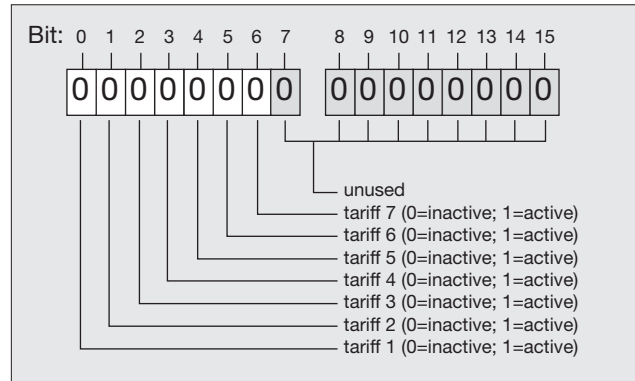
$$E_{r(cap)_{L1,L2,L3}} = \int (Q_{L1}(t) + Q_{L2}(t) + Q_{L3}(t)) \cdot \Delta t$$

für $(Q_{L1}(t) + Q_{L2}(t) + Q_{L3}(t)) < 0$

Tariff Conversion

The tariff conversion of the consumption meters is via the addresses 618 and 624.

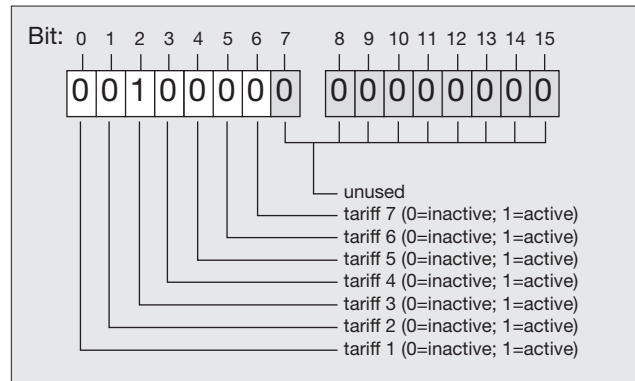
- Select one of the tariffs 1 to 7 by setting or deleting bits 0 to 6.
- Bits 7 to 15 must never be set and must always be 0.
- Tariff 0 is always active and can never be switched off.
- Only the bit set with the lowest value is evaluated.



Example:

Activate tariff 3 for „Effective energy“ and „Effective energy drawn“.

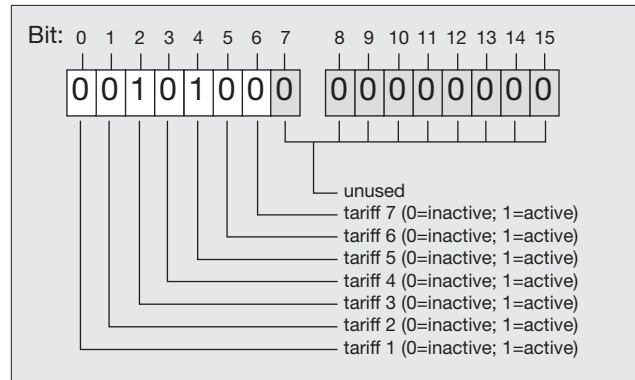
- Set bit 2 to address 618.
The meters for „Effective energy“ are active.
- Set bit 2 to address 619.
The meters for „Effective energy drawn“ are active.



Example:

Setting tariff 3 and tariff 5 to one address at the same time.

- Set bit 2 and bit 4 to address 618.
Because only the bit set with the lowest value is evaluated, only tariff 3 is active; bit 4 for tariff 5 is ignored.
- The meters for „Effective energy“ (tariff 3) are active.



Parameter

These values can be set via the device buttons

Address	Format	RD/WR	Unit	Note	Adjustment Area	Default
0	SHORT	RD/WR	-	Device address	0..255 ⁽¹⁾	1
1	SHORT	RD/WR	kbps	Baudrate	0=9.6kbps 1=19.2kbps 2=38.4kbps 3=57.6kbps 4=115.2kbps	4
2	SHORT	RD/WR	-	Modbus Master (Slave=0, Master=1)	0,1	0
3	SHORT	RD/WR	-	Stop bits 0=1 bit, no parity 1=2 bits, no parity 2=1 bit, even parity 3=1 bit, odd parity	0 .. 3	0
10	FLOAT	RD/WR	A	Current transformer I1, primary	0..1000000 ⁽²⁾	5
12	FLOAT	RD/WR	A	Current transformer I1, sec.	1..5	5
14	FLOAT	RD/WR	V	Voltage transformer V1, primary	0..1000000 ⁽²⁾	400
16	FLOAT	RD/WR	V	Voltage transformer V1, sec.	100, 400	400
18	FLOAT	RD/WR	A	Current transformer I2, primary	0..1000000 ⁽²⁾	5
20	FLOAT	RD/WR	A	Current transformer I2, sec.	1..5	5
22	FLOAT	RD/WR	V	Voltage transformer V2, primary	1..1000000	400
24	FLOAT	RD/WR	V	Voltage transformer V2, sec.	100, 400	400
26	FLOAT	RD/WR	A	Current transformer I3, primary	1..1000000	5
28	FLOAT	RD/WR	A	Current transformer I3, sec.	1..5	5
30	FLOAT	RD/WR	V	Voltage transformer V3, primary	1..1000000	400
32	FLOAT	RD/WR	V	Voltage transformer V3, sec.	100, 400	400
34	SHORT	RD/WR	Hz	Frequency determination 0=Auto, 45..65=Hz	0, 45..65	0
35	SHORT	RD/WR	-	Display contrast 0 (low), 9 (high)	0 .. 9	5
36	SHORT	RD/WR	-	Background lighting 0 (dark), 9 (bright)	0 .. 9	6
37	SHORT	RD/WR	-	Indication profile 0 .. 2 = Fix indication profiles 3 = Free selectable indication profile	0 .. 3	0
38	SHORT	RD/WR	-	Indication rotation profile 0 .. 2 = Fix indication rotation profiles 3 = Free selectable indication rotation profile	0 .. 3	0
39	SHORT	RD/WR	Sec.	Rotation time	0 .. 60	0
40	SHORT	RD/WR	-	Averaging time, I	0 .. 8*	6
41	SHORT	RD/WR	-	Averaging time, P	0 .. 8*	6
42	SHORT	RD/WR	-	Averaging time, U	0 .. 8*	6
43	FLOAT	RD/WR	A	Nominal current TDD	0 .. 1000000	150
45	INT	RD/WR	mA	Threshold, current measurement L1..L3	0 .. 200	5
50	SHORT	RD/WR	-	Password	0 .. 999	0 (no password)
100	SHORT	RD/WR	-	Address of measurement value, digital output 1	0 .. 32000	874
101	SHORT	RD/WR	-	Address of measurement value, digital output 2	0 .. 32000	882
102	FLOAT	RD/WR	-	Pulse valence, out 1	-1000000 .. + 1000000	1000
104	FLOAT	RD/WR	-	Pulse valence, out 2	-1000000 .. + 1000000	1000
106	SHORT	RD/WR	-	Min. pulse duration, digital output 1/2	1..1000	5
145	SHORT	RD/WR	-	„Display blinking“ Bit 1 = 1/0: active/inactive for comparator group output 1 Bit 2 = 1/0: active/inactive for comparator group output 2 Bit 3 = 1/0: active/inactive for comparator group output 3 Bit 4 = 1/0: active/inactive for comparator group output 4 Bit 5 = 1/0: active/inactive for comparator group output 5	0-31	0

Address	Format	RD/WR	Unit	Note	Adjustment Area	Default
206	SHORT	RD/WR	Sek.	Periodendauer „Schleppzeiger“	300 .. 3600	900
207	SHORT	RD/WR	Sek.	Fangzeit „Schleppzeiger“	1 .. 20	10
208	SHORT	RD/WR	-	Konfiguration Digitaleingang 1 0= interne Synchronisation 1= externe Synchronisation (Schließer) 2= externe Synchronisation (Öffner)	0 .. 2	0
300	String	RD/WR	-	Indication profile	GridVis	0
400	String	RD/WR	-	Indication rotation profile	GridVis	0
500	SHORT	RD/WR	-	Connection configuration, I L1	-3 .. 3	1
501	SHORT	RD/WR	-	Connection configuration, I L2	-3 .. 3	2
502	SHORT	RD/WR	-	Connection configuration, I L3 -1 = Measurement in phase L1, Connection (s1-s2) changed -2 = Measurement in phase L2, Connection (s1-s2) changed -3 = Measurement in phase L3, Connection (s1-s2) changed 0 = Channel switched off 1 = Measurement in phase L1 2 = Measurement in phase L2 3 = Measurement in phase L3	-3 .. 3	3
503	SHORT	RD/WR	-	Connection configuration, U L1	0 .. 3	1
504	SHORT	RD/WR	-	Connection configuration, U L2	0 .. 3	2
505	SHORT	RD/WR	-	Connection configuration, U L3 0 = Channel switched off 1 = Measurement in phase L1 2 = Measurement in phase L2 3 = Measurement in phase L3	0 .. 3	3
506	SHORT	RD/WR	-	Delete min. and maximum values	0..1	0
507	SHORT	RD/WR	-	Delete energy values	0..1	0
508	SHORT	RD/WR	-	Write in EEPROM	0..1	0
509	SHORT	RD/WR	-	Connection diagram voltage	0..8 ¹⁾	0
510	SHORT	RD/WR	-	Connection diagram current	0..8	0
511	SHORT	RD/WR	-	Relevant voltage, for THD and FFT display of THD and FFT 0=THD L-N, FFT L-N 1=THD L-L, FFT L-L	0..1	0
512	SHORT	RD/WR	-	For internal use only		
513	SHORT	RD/WR	-	For internal use only		
514	SHORT	RD/WR	-	For internal use only		
515	SHORT	RD/WR	-	For internal use only		
516	SHORT	RD/WR	-	For internal use only		
517	SHORT	RD/WR	-	For internal use only		
600	UINT	RD	-	Overrange	0, 0xFFFFFFFF	
618	SHORT	RD/WR	-	Rate, real energy*	0..127	0
619	SHORT	RD/WR	-	Rate, real energy consumed*	0..127	0
620	SHORT	RD/WR	-	Rate, real energy delivered*	0..127	0
621	SHORT	RD/WR	-	Rate, reactive energy*	0..127	0
622	SHORT	RD/WR	-	Rate, reactive energy inductive*	0..127	0
623	SHORT	RD/WR	-	Rate, reactive energy capacitive*	0..127	0
624	SHORT	RD/WR	-	Rate, apparent energy*	0..127	0
750	SHORT	RD	-	Software release		
754	SERNR	RD	-	Serial number		
756	SERNR	RD	-	Production number		
761	USHORT	RD	-	Module number (0=no module, 1=Profibus, 2=CBM, 3=Ethernet)		

* Tariff settings (Tarif 1-7) are set bitwise (bit 0-6); tariff 0 is always active.

¹⁾ The setting 8 is equal setting 0.

Parameter II

Address	Format	RD/WR	Unit	Note	Adjustment Area	Default
3512	FLOAT	RD	s	System uptime		
10080	SHORT	RD		Status digital output 1 0=not active, 1=active	0,1	
10081	SHORT	RD		Status digital output 2 0=not active, 1=active	0,1	
10082	SHORT	RD		Status digital output 3 0=not active, 1=active	0,1	
10083	SHORT	RD		Status digital output 4 0=not active, 1=active	0,1	
10084	SHORT	RD		Status digital output 5 0=not active, 1=active	0,1	
10109	SHORT	RD		Status digital input 0=not active, 1=aktive	0,1	
10110	SHORT	RD		Status digital input 0=not active, 1=aktive	0,1	
10111	SHORT	RD		Status digital input 0=not active, 1=aktive	0,1	
10112	INT	RD		Overcurrent flag i4		
10114	SHORT	RD		Digital inputs, bit coded		
11619	FLOAT	RD	Ohm	Resistance temp input 1		
11621	FLOAT	RD	Ohm	Resistance temp input 2		
20002	INT	RD	s	Systemtime in sec (ro)		
20004	INT	RD/WR	s	Systemtime in sec		
20008	FLOAT	RD/WR	A	Current transformer I4, primary	0..1000000 ⁽²⁾	5
20010	FLOAT	RD/WR	A	Current transformer I4, secondary	1..5	5
20012	FLOAT	RD/WR	A	Current transformer I5, primary	0..1000000 ⁽²⁾	5
20014	FLOAT	RD/WR	A	Current transformer I5, secondary	1..5	5
20016	FLOAT	RD/WR	A	Current transformer I6, primary	0..1000000 ⁽²⁾	5
20018	FLOAT	RD/WR	A	Current transformer I6, secondary	1..5	5
20020	DATA		212	Record 1 configuration		
20126	DATA		212	Record 2 configuration		
20232	DATA		212	Record 3 configuration		
20338	DATA		212	Record 4 configuration		
20444	FLOAT	RD/WR		Multiplication factor for s0 input 1 frequency		
20446	FLOAT	RD/WR		Multiplication factor for s0 input 2 frequency		
20448	FLOAT	RD/WR]		Multiplication factor for s0 input 3 frequency		
20450	STRING	RD/WR	32	Name of S0 input type IN1		
20466	STRING	RD/WR	32	Name of S0 input type IN2		
20482	STRING	RD/WR	32	Name of S0 input type IN3		
20498	STRING	RD/WR	32	Name of S0 input type IN1		
20514	STRING	RD/WR	32	Name of S0 input type IN2		
20530	STRING	RD/WR	32	Name of S0 input type IN3		
20546	STRING	RD/WR	100	Name of S0 input type IN1		
20596	STRING	RD/WR	100	Name of S0 input type IN2		
20646	STRING	RD/WR	100	Name of S0 input type IN3		
20696	SHORT	RD		Pulse out reference address	0 .. 32000	874
20697	SHORT	RD		Pulse out reference address	0 .. 32000	882
20698	SHORT	RD		Pulse out reference address	0 .. 32000	
20699	SHORT	RD		Pulse out reference address	0 .. 32000	
20700	SHORT	RD		Pulse out reference address	0 .. 32000	
20701	FLOAT	RD		Pulse generation factor (freq=val/fac)	-1000000 .. + 1000000	1000
20703	FLOAT	RD		Pulse generation factor (freq=val/fac)	-1000000 .. + 1000000	1000
20705	FLOAT	RD		Pulse generation factor (freq=val/fac)	-1000000 .. + 1000000	
20707	FLOAT	RD		Pulse generation factor (freq=val/fac)	-1000000 .. + 1000000	
20709	FLOAT	RD		Pulse generation factor (freq=val/fac)	-1000000 .. + 1000000	
21147	BYTE	RD/WR		Configuration tariff, active energy source [0]		
21148	BYTE	RD/WR		Configuration tariff, active energy source [1]		
21149	BYTE	RD/WR		Configuration tariff, active energy, source [2]		

Address	Format	RD/WR	Unit	Note	Adjustment Area	Default
21150	BYTE	RD/WR		Configuration tariff, active energy, source [3]		
21151	BYTE	RD/WR		Configuration tariff, active energy, source [4]		
21152	BYTE	RD/WR		Configuration tariff, active energy, source [5]		
21153	BYTE	RD/WR		Configuration tariff, active energy, source [6]		
21154	BYTE	RD/WR		Configuration tariff, active energy, obtained, source [0]		
21155	BYTE	RD/WR		Configuration tariff, active energy, obtained, source [1]		
21156	BYTE	RD/WR		Configuration tariff, active energy, obtained, source [2]		
21157	BYTE	RD/WR		Configuration tariff, active energy, obtained, source [3]		
21158	BYTE	RD/WR		Configuration tariff, active energy, obtained, source [4]		
21159	BYTE	RD/WR		Configuration tariff, active energy, obtained, source [5]		
21160	BYTE	RD/WR		Configuration tariff, active energy, obtained, source [6]		
21161	BYTE	RD/WR		Configuration tariff, active energy, supplied, source [0]		
21162	BYTE	RD/WR		Configuration tariff, active energy, supplied, source [1]		
21163	BYTE	RD/WR		Configuration tariff, active energy, supplied, source [2]		
21164	BYTE	RD/WR		Configuration tariff, active energy, supplied, source [3]		
21165	BYTE	RD/WR		Configuration tariff, active energy, supplied, source [4]		
21166	BYTE	RD/WR		Configuration tariff, active energy, supplied, source [5]		
21167	BYTE	RD/WR		Configuration tariff, active energy, supplied, source [6]		
21168	BYTE	RD/WR		Configuration tariff, reactive energy, source [0]		
21169	BYTE	RD/WR		Configuration tariff, reactive energy, source [1]		
21170	BYTE	RD/WR		Configuration tariff, reactive energy, source [2]		
21171	BYTE	RD/WR		Configuration tariff, reactive energy, source [3]		
21172	BYTE	RD/WR		Configuration tariff, reactive energy, source [4]		
21173	BYTE	RD/WR		Configuration tariff, reactive energy, source [5]		
21174	BYTE	RD/WR		Configuration tariff, reactive energy, source [6]		
21175	BYTE	RD/WR		Configuration tariff, reactive energy, inductive, source [0]		
21176	BYTE	RD/WR		Configuration tariff, reactive energy, inductive, source [1]		
21177	BYTE	RD/WR		Configuration tariff, reactive energy, inductive, source [2]		
21178	BYTE	RD/WR		Configuration tariff, reactive energy, inductive, source [3]		
21179	BYTE	RD/WR		Configuration tariff, reactive energy, inductive, source [4]		
21180	BYTE	RD/WR		Configuration tariff, reactive energy, inductive, source [5]		
21181	BYTE	RD/WR		Configuration tariff, reactive energy, inductive, source [6]		
21182	BYTE	RD/WR		Configuration tariff, reactive energy, capacitive, source [0]		
21183	BYTE	RD/WR		Configuration tariff, reactive energy, capacitive, source [1]		
21184	BYTE	RD/WR		Configuration tariff, reactive energy, capacitive, source [2]		
21185	BYTE	RD/WR		Configuration tariff, reactive energy, capacitive, source [3]		
21186	BYTE	RD/WR		Configuration tariff, reactive energy, capacitive, source [4]		
21187	BYTE	RD/WR		Configuration tariff, reactive energy, capacitive, source [5]		
21188	BYTE	RD/WR		Configuration tariff, reactive energy, capacitive, source [6]		
21189	BYTE	RD/WR		Configuration tariff, apparent energy, source [0]		
21190	BYTE	RD/WR		Configuration tariff, apparent energy, source [1]		
21191	BYTE	RD/WR		Configuration tariff, apparent energy, source [2]		
21192	BYTE	RD/WR		Configuration tariff, apparent energy, source [3]		
21193	BYTE	RD/WR		Configuration tariff, apparent energy, source [4]		
21194	BYTE	RD/WR		Configuration tariff, apparent energy, source [5]		
21195	BYTE	RD/WR		Configuration tariff, apparent energy, source [6]		
21132	SHORT	RD/WR		Dig out type, Source selection for digital output 1 0 = Comparator 3 1 = Pulse output (S0) 2 = External source - Modbus 4 = External source - Ethernet	0 .. 4	1
21133	SHORT	RD/WR		Dig out type, Source selection for digital output 2 0 = Comparator 3 1 = Pulse output (S0) 2 = External source - Modbus 4 = External source - Ethernet	0 .. 4	1
21134	SHORT	RD/WR		Dig out type, Source selection for digital output 3 0 = Comparator 3 1 = Pulse output (S0) 2 = External source - Modbus 4 = External source - Ethernet	0 .. 4	0
21135	SHORT	RD/WR		Dig out type, Source selection for digital output 4 0 = Comparator 3	0 .. 4	0

Address	Format	RD/WR	Unit	Note	Adjustment Area	Default
				1 = Pulse output (S0) 2 = External source - Modbus 4 = External source - Ethernet		
21136	SHORT	RD/WR		Dig out type, Source selection for digital output 5 0 = Comparator 3 1 = Pulse output (S0) 2 = External source - Modbus 4 = External source - Ethernet	0 .. 4	0
21137	SHORT	RD/WR		Dig. Output 1 inverted	0,1	0
21138	SHORT	RD/WR		Dig. Output 2 inverted	0,1	0
21139	SHORT	RD/WR		Dig. Output 3 inverted	0,1	0
21140	SHORT	RD/WR		Dig. Output 4 inverted	0,1	0
21141	SHORT	RD/WR		Dig. Output 5 inverted	0,1	0
21142	SHORT	RD/WR		Output 1, Modbus remote, address	0,1	0
21143	SHORT	RD/WR		Output 2, Modbus remote, address	0,1	0
21144	SHORT	RD/WR		Output 3, Modbus remote, address	0,1	0
21145	SHORT	RD/WR		Output 4, Modbus remote, address	0,1	0
21146	SHORT	RD/WR		Output 5, Modbus remote, address	0,1	0
21206	SHORT	RD		Day (1...31)		
21207	SHORT	RD		Month (1=Jan,...12=Dec.)		
21208	SHORT	RD		Year (0...99)		
21209	SHORT	RD	h	Hour (0...24)		
21210	SHORT	RD	min	Minute (0...59)		
21211	SHORT	RD	s	Second (0...59)		
21212	SHORT	RD		Weekday (0=Su,...6=Sa)		
21264	SHORT	RD/WR		RCM: CT connection monitoring (I5, AC only) 0=disable, 1=enable	0,1	0
21265	SHORT	RD/WR		RCM: CT connection monitoring (I6, AC only) 0=disable, 1=enable	0,1	0

Address list

Frequently required readings

Address	Format	RD/WR	Unit	Note	Index
19000	FLOAT	RD	V	Voltage L1-N	[0]
19002	FLOAT	RD	V	Voltage L2-N	[1]
19004	FLOAT	RD	V	Voltage L3-N	[2]
19006	FLOAT	RD	V	Voltage L1-L2	[0]
19008	FLOAT	RD	V	Voltage L2-L3	[1]
19010	FLOAT	RD	V	Voltage L1-L3	[2]
19012	FLOAT	RD	A	Current I L1	[0]
19014	FLOAT	RD	A	Current I L2	[1]
19016	FLOAT	RD	A	Current I L3	[2]
19018	FLOAT	RD	A	Vector sum; $IN=I1+I2+I3$	[3]
19020	FLOAT	RD	W	Real power P1 L1N	[0]
19022	FLOAT	RD	W	Real power P2 L2N	[1]
19024	FLOAT	RD	W	Real power P3 L3N	[2]
19026	FLOAT	RD	W	Sum; $Psum3=P1+P2+P3$	[3]
19028	FLOAT	RD	VA	Apparent power S1 L1N	[0]
19030	FLOAT	RD	VA	Apparent power S2 L2N	[1]
19032	FLOAT	RD	VA	Apparent power S3 L3N	[2]
19034	FLOAT	RD	VA	Sum; $Ssum3=S1+S2+S3$	[3]
19036	FLOAT	RD	var	Fund. reactive power Q1 L1N	[0]
19038	FLOAT	RD	var	Fund. reactive power Q2 L2N	[1]
19040	FLOAT	RD	var	Fund. reactive power Q3 L3N	[2]
19042	FLOAT	RD	var	Sum; $Qsum3=Q1+Q2+Q3$	[3]
19044	FLOAT	RD	-	CosPhi; UL1 IL1 (fundamental comp.)	[0]
19046	FLOAT	RD	-	CosPhi; UL2 IL2 (fundamental comp.)	[1]
19048	FLOAT	RD	-	CosPhi; UL3 IL3 (fundamental comp.)	[2]
19050	FLOAT	RD	Hz	Measured frequency	
19052	FLOAT	RD	-	Rotation field; 1=right, 0=none, -1=left	
19054	FLOAT	RD	Wh	Real energy L1	[0]
19056	FLOAT	RD	Wh	Real energy L2	[0]
19058	FLOAT	RD	Wh	Real energy L3	[0]
19060	FLOAT	RD	Wh	Real energy L1..L3	[0]
19062	FLOAT	RD	Wh	Real energy L1, consumed	[0]
19064	FLOAT	RD	Wh	Real energy L2, consumed	[0]
19066	FLOAT	RD	Wh	Real energy L3, consumed	[0]
19068	FLOAT	RD	Wh	Real energy L1..L3, consumed	[0]
19070	FLOAT	RD	Wh	Real energy L1, delivered	[0]
19072	FLOAT	RD	Wh	Real energy L2, delivered	[0]
19074	FLOAT	RD	Wh	Real energy L3, delivered	[0]
19076	FLOAT	RD	Wh	Real energy L1..L3, delivered	[0]
19078	FLOAT	RD	VAh	Apparent energy L1	[0]
19080	FLOAT	RD	VAh	Apparent energy L2	[0]
19082	FLOAT	RD	VAh	Apparent energy L3	[0]
19084	FLOAT	RD	VAh	Apparent energy L1..L3	[0]
19086	FLOAT	RD	varh	Reactive energy L1	[0]
19088	FLOAT	RD	varh	Reactive energy L2	[0]
19090	FLOAT	RD	varh	Reactive energy L3	[0]
19092	FLOAT	RD	varh	Reactive energy L1..L3	[0]
19094	FLOAT	RD	varh	Reactive energy ind. L1	[0]
19096	FLOAT	RD	varh	Reactive energy ind. L2	[0]
19098	FLOAT	RD	varh	Reactive energy ind. L3	[0]
19100	FLOAT	RD	varh	Reactive energy ind. L1..L3	[0]
19102	FLOAT	RD	varh	Reactive energy cap. L1	[0]
19104	FLOAT	RD	varh	Reactive energy cap. L2	[0]
19106	FLOAT	RD	varh	Reactive energy cap. L3	[0]
19108	FLOAT	RD	varh	Reactive energy cap. L1..L3	[0]
19110	FLOAT	RD	%	Harmonic, THD U L1-N	[0]
19112	FLOAT	RD	%	Harmonic, THD U L2-N	[1]
19114	FLOAT	RD	%	Harmonic, THD U L3-N	[2]
19116	FLOAT	RD	%	Harmonic, THD I L1	[0]
19118	FLOAT	RD	%	Harmonic, THD I L2	[1]
19120	FLOAT	RD	%	Harmonic, THD I L3	[2]

Measured values, type float

Address	Format	RD/WR	Unit	Note	Index
800	FLOAT	RD	Hz	Measured frequency	
802	FLOAT	RD	-	Voltage, zero sequence	
804	FLOAT	RD	-	Voltage, negative sequence	
806	FLOAT	RD	-	Voltage, positive sequence	
808	FLOAT	RD	V	Voltage U1 L1-N	[0]
810	FLOAT	RD	V	Voltage U2 L2-N	[1]
812	FLOAT	RD	V	Voltage U3 L3-N	[2]
814	FLOAT	RD	V	Voltage U1 L1-L2	[0]
816	FLOAT	RD	V	Voltage U2 L2-L3	[1]
818	FLOAT	RD	V	Voltage U3 L3-L1	[2]
820	FLOAT	RD	-	Fund. power factor, CosPhi; ULN, IL1	[0]
822	FLOAT	RD	-	Fund. power factor, CosPhi; ULN, IL2	[1]
824	FLOAT	RD	-	Fund. power factor, CosPhi; ULN, IL3	[2]
826	FLOAT	RD	-	Sum; CosPhisum3=P0sum3/Ssum3	[3]
828	FLOAT	RD	-	Power factor; UL1N, IL1	[0]
830	FLOAT	RD	-	Power factor; UL2N, IL2	[1]
832	FLOAT	RD	-	Power factor; UL3N, IL3	[2]
834	FLOAT	RD	-	Sum; Power factor sum3=Psum3/Ssum3	[3]
836	FLOAT	RD	%	THD, U L1N, bezogen auf U0 L1	[0]
838	FLOAT	RD	%	THD, U L2N, bezogen auf U0 L2	[1]
840	FLOAT	RD	%	THD, U L3N, bezogen auf U0 L3	[2]
842	FLOAT	RD	%	THD, U L1L2, bezogen auf U0 L1L2	[0]
844	FLOAT	RD	%	THD, U L2L3, bezogen auf U0 L2L3	[1]
846	FLOAT	RD	%	THD, U L3L1, bezogen auf U0 L3L1	[2]
848	FLOAT	RD	V	Voltage, real part U1 L1N	[0]
850	FLOAT	RD	V	Voltage, real part U2 L2N	[1]
852	FLOAT	RD	V	Voltage, real part U3 L3N	[2]
854	FLOAT	RD	V	Voltage, imaginary part U L1N	[0]
856	FLOAT	RD	V	Voltage, imaginary part U L2N	[1]
858	FLOAT	RD	V	Voltage, imaginary part U L3N	[2]
860	FLOAT	RD	A	Current I1 L1	[0]
862	FLOAT	RD	A	Current I2 L2	[1]
864	FLOAT	RD	A	Current I3 L3	[2]
866	FLOAT	RD	A	Vector sum; IN=I1+I2+I3	[3]
868	FLOAT	RD	W	Real power P1 L1N	[0]
870	FLOAT	RD	W	Real power P2 L2N	[1]
872	FLOAT	RD	W	Real power P3 L3N	[2]
874	FLOAT	RD	W	Sum; Psum3=P1+P2+P3	[3]
876	FLOAT	RD	var	Fund. reactive power Q1 L1N	[0]
878	FLOAT	RD	var	Fund. reactive power Q2 L2N	[1]
880	FLOAT	RD	var	Fund. reactive power Q3 L3N	[2]
882	FLOAT	RD	var	Sum; Qsum3=Q1+Q2+Q3	[3]
884	FLOAT	RD	VA	Apparent power S1 L1N	[0]
886	FLOAT	RD	VA	Apparent power S2 L2N	[1]
888	FLOAT	RD	VA	Apparent power S3 L3N	[2]
890	FLOAT	RD	VA	Sum; Ssum3=S1+S2+S3	[3]
892	FLOAT	RD	W	Fund. real power P01 L1N	[0]
894	FLOAT	RD	W	Fund. real power P02 L2N	[1]
896	FLOAT	RD	W	Fund. real power P03 L3N	[2]
898	FLOAT	RD	W	Sum; P0sum3=P01+P02+P03	[3]
900	FLOAT	RD	var	Harmonic distortion power D1 L1N	[0]
902	FLOAT	RD	var	Harmonic distortion power D2 L2N	[1]
904	FLOAT	RD	var	Harmonic distortion power D3 L3N	[2]
906	FLOAT	RD	var	Sum; Dsum3=D1+D2+D3	[3]
908	FLOAT	RD	%	THDI1 I1, bezogen auf I01	[0]
910	FLOAT	RD	%	THDI2 I2, bezogen auf I02	[1]
912	FLOAT	RD	%	THDI3 I3, bezogen auf I03	[2]
914	FLOAT	RD	%	TDDI1 I1, bezogen auf den Nenn-Laststrom	[0]
916	FLOAT	RD	%	TDDI2 I2, bezogen auf den Nenn-Laststrom	[1]
918	FLOAT	RD	%	TDDI3 I3, bezogen auf den Nenn-Laststrom	[2]
920	FLOAT	RD	-	Current, zero sequence	
922	FLOAT	RD	-	Current, negative sequence	
924	FLOAT	RD	-	Current, positive sequence	
926	FLOAT	RD	A	Current, real part I L1	[0]
928	FLOAT	RD	A	Current, real part I L2	[1]
930	FLOAT	RD	A	Current, real part I L3	[2]

Address	Format	RD/WR	Unit	Note	Index
932	FLOAT	RD	A	Current, imaginary part I L	[0]
934	FLOAT	RD	A	Current, imaginary part I L	[1]
936	FLOAT	RD	A	Current, imaginary part I L	[2]
938	FLOAT	RD	-	Rotation field; 1=right, 0=none, -1=left	
940	FLOAT	RD	Hz	Frequency 200 ms	
10085	FLOAT	RD	A	Current I L4	
10087	FLOAT	RD	%	THD I L4	
10089	FLOAT	RD	%	TDD I L4	
10091	FLOAT	RD	W	Power s0, input 1	[0]
10093	FLOAT	RD	W	Power s0, input 2	[1]
10095	FLOAT	RD	W	Power s0, input 3	[2]
10865	FLOAT	RD	°C	Temperature input 1	
10867	FLOAT	RD	°C	Temperature input 2	
10869	FLOAT	RD	%	Diff1 4-20mA	
10871	FLOAT	RD	%	Diff2 4-20mA	
10873	FLOAT	RD	A	Current Diff1	
10875	FLOAT	RD	A	Current Diff2	
10877	FLOAT	RD	%	THD I Diff1	
10879	FLOAT	RD	%	THD I Diff2	
11463	FLOAT	RD	A	Arithmetic Sum Current (I1+I2+I3)	
11631	FLOAT	RD		Crest factor, U L1	
11633	FLOAT	RD		Crest factor, U L2	
11635	FLOAT	RD		Crest factor, U L3	
11637	FLOAT	RD		Crest factor, I L1	
11639	FLOAT	RD		Crest factor, I L2	
11641	FLOAT	RD		Crest factor, I L3	

Measured values, type short

Address	Format	RD/WR	Unit	Note	Index	Resolution
3526	SHORT	RD	Hz	measured frequency		0,01
3527	SHORT	RD	V	Voltage, zero sequence		0,1
3528	SHORT	RD	V	Voltage, negative sequence		0,1
3529	SHORT	RD	V	Voltage, positive sequence		0,1
3530	SHORT	RD	V	Voltage U1 L1-N	[0]	0,1
3531	SHORT	RD	V	Voltage U2 L2-N	[1]	0,1
3532	SHORT	RD	V	Voltage U3 L3-N	[2]	0,1
3533	SHORT	RD	V	Voltage U1 L1-L2	[0]	0,1
3534	SHORT	RD	V	Voltage U2 L2-L3	[1]	0,1
3535	SHORT	RD	V	Voltage U3 L3-L1	[2]	0,1
3776	SHORT	RD	-	Fund. power factor, CosPhi; ULN IL	[0]	0,01
3777	SHORT	RD	-	Fund. power factor, CosPhi; ULN IL	[1]	0,01
3778	SHORT	RD	-	Fund. power factor, CosPhi; ULN IL	[2]	0,01
3779	SHORT	RD	-	Sum; CosPhisum3=P0sum3/Ssum3	[3]	0,01
3780	SHORT	RD	-	Power factor; ULN IL	[0]	0,01
3781	SHORT	RD	-	Power factor; ULN IL	[1]	0,01
3782	SHORT	RD	-	Power factor; ULN IL	[2]	0,01
3783	SHORT	RD	-	Sum; Power factor sum3=Psum3/Ssum3	[3]	
3784	SHORT	RD	%	THD U LN	[0]	0,1
3785	SHORT	RD	%	THD U LN	[1]	0,1
3786	SHORT	RD	%	THD U LN	[2]	0,1
3787	SHORT	RD	%	THD U LL	[0]	0,1
3788	SHORT	RD	%	THD U LL	[1]	0,1
3789	SHORT	RD	%	THD U LL	[2]	0,1
3790	SHORT	RD	V	Voltage, real part U LN	[0]	0,1
3791	SHORT	RD	V	Voltage, real part U LN	[1]	0,1
3792	SHORT	RD	V	Voltage, real part U LN	[2]	0,1
3793	SHORT	RD	V	Voltage, imaginary part U LN	[0]	0,1
3794	SHORT	RD	V	Voltage, imaginary part U LN	[1]	0,1
3795	SHORT	RD	V	Voltage, imaginary part U LN	[2]	0,1
3916	SHORT	RD	mA	Current I L	[0]	1
3917	SHORT	RD	mA	Current I L	[1]	1
3918	SHORT	RD	mA	Current I L	[2]	1
3919	SHORT	RD	mA	Vector sum; IN=I1+I2+I3	[3]	1
3920	SHORT	RD	W	Real power P LN	[0]	0,1
3921	SHORT	RD	W	Real power P LN	[1]	0,1
3922	SHORT	RD	W	Real power P LN	[2]	0,1
3923	SHORT	RD	W	Sum; Psum3=P1+P2+P3	[3]	0,1
3924	SHORT	RD	var	Fund. reactive power Q LN	[0]	0,1
3925	SHORT	RD	var	Fund. reactive power Q LN	[1]	0,1
3926	SHORT	RD	var	Fund. reactive power Q LN	[2]	0,1
3927	SHORT	RD	var	Sum; Qsum3=Q1+Q2+Q3	[3]	0,1
3928	SHORT	RD	VA	Apparent power S LN	[0]	0,1
3929	SHORT	RD	VA	Apparent power S LN	[1]	0,1
3930	SHORT	RD	VA	Apparent power S LN	[2]	0,1
3931	SHORT	RD	VA	Sum; Ssum3=S1+S2+S3	[3]	0,1
3932	SHORT	RD	W	Fund. real power P0 LN	[0]	0,1
3933	SHORT	RD	W	Fund. real power P0 LN	[1]	0,1
3934	SHORT	RD	W	Fund. real power P0 LN	[2]	0,1
3935	SHORT	RD	W	Sum; CosPhisum3=P0sum3/Ssum3	[3]	0,1
3936	SHORT	RD	var	Harmonic distortion power D LN	[0]	0,1
3937	SHORT	RD	var	Harmonic distortion power D LN	[1]	0,1
3938	SHORT	RD	var	Harmonic distortion power D LN	[2]	0,1
3939	SHORT	RD	var	Sum; Dsum3=D1+D2+D3	[3]	0,1
3940	SHORT	RD	%	THD I	[0]	0,1
3941	SHORT	RD	%	THD I	[1]	0,1
3942	SHORT	RD	%	THD I	[2]	0,1
3943	SHORT	RD	%	TDD I	[0]	0,1
3944	SHORT	RD	%	TDD I	[1]	0,1
3945	SHORT	RD	%	TDD I	[2]	0,1
3946	SHORT	RD	mA	Current, zero sequence		1
3947	SHORT	RD	mA	Current, negative sequence		1
3948	SHORT	RD	mA	Current, positive sequence		1
3949	SHORT	RD	mA	Current, real part I L	[0]	1
3950	SHORT	RD	mA	Current, real part I L	[1]	1

Address	Format	RD/WR	Unit	Note	Index	Resolution
3951	SHORT	RD	mA	Current, real part I L	[2]	1
3952	SHORT	RD	mA	Current, imaginary part I L	[0]	1
3953	SHORT	RD	mA	Current, imaginary part I L	[1]	1
3954	SHORT	RD	mA	Current, imaginary part I L	[2]	1
3955	SHORT	RD	-	Rotation field; 1=right, 0=none, -1=left		-
4858	SHORT	RD	Hz	Frequency 200 ms, Integer		0,01
10723	SHORT	RD	mA	Current I L4		1
10724	SHORT	RD	%	THD I L4		0,1
10725	SHORT	RD	%	TDD I L4		0,1
10726	SHORT	RD	W	Power S0, input 1	[0]	0,1
10727	SHORT	RD	W	Power S0, input 2	[1]	0,1
10728	SHORT	RD	W	Power S0, input 3	[2]	0,1
11273	SHORT	RD	°C	Temperature input 1		0,1
11274	SHORT	RD	°C	Temperature input 2		0,1
11275	SHORT	RD	%	Diff1 4-20mA		0,1
11276	SHORT	RD	%	Diff1 4-20mA		0,1
11277	SHORT	RD	mA	Current Diff1		1
11278	SHORT	RD	mA	Current Diff2		1
11279	SHORT	RD	%	THD I Diff1		0,1
11280	SHORT	RD	%	THD I Diff2		0,1

Mean values, type float

Address	Format	RD/WR	Unit	Note	Index
1720	FLOAT	RD	Hz	Average, measured frequency	
1722	FLOAT	RD	V	Average, Voltage, zero sequence	
1724	FLOAT	RD	V	Average, Voltage, negative sequence	
1726	FLOAT	RD	V	Average, Voltage, positive sequence	
1728	FLOAT	RD	V	Average, Voltage LN	[0]
1730	FLOAT	RD	V	Average, Voltage LN	[1]
1732	FLOAT	RD	V	Average, Voltage LN	[2]
1734	FLOAT	RD	V	Average, Voltage LL	[0]
1736	FLOAT	RD	V	Average, Voltage LL	[1]
1738	FLOAT	RD	V	Average, Voltage LL	[2]
2220	FLOAT	RD	-	Average, Fund. power factor, CosPhi; ULN IL	[0]
2222	FLOAT	RD	-	Average, Fund. power factor, CosPhi; ULN IL	[1]
2224	FLOAT	RD	-	Average, Fund. power factor, CosPhi; ULN IL	[2]
2226	FLOAT	RD	-	Average, Sum; CosPhisum3=P0sum3/Ssum3	[3]
2228	FLOAT	RD	-	Average, Power factor; ULN IL	[0]
2230	FLOAT	RD	-	Average, Power factor; ULN IL	[1]
2232	FLOAT	RD	-	Average, Power factor; ULN IL	[2]
2234	FLOAT	RD	-	Average, Sum; Power factor sum3=Psum3/Ssum3	[3]
2236	FLOAT	RD	V	Average, THD, U LN	[0]
2238	FLOAT	RD	V	Average, THD, U LN	[1]
2240	FLOAT	RD	V	Average, THD, U LN	[2]
2242	FLOAT	RD	V	Average, THD, U LL	[0]
2244	FLOAT	RD	V	Average, THD, U LL	[1]
2246	FLOAT	RD	V	Average, THD, U LL	[2]
2248	FLOAT	RD	V	Average, Voltage, real part U LN	[0]
2250	FLOAT	RD	V	Average, Voltage, real part U LN	[1]
2252	FLOAT	RD	V	Average, Voltage, real part U LN	[2]
2254	FLOAT	RD	V	Average, Voltage, imaginary part U LN	[0]
2256	FLOAT	RD	V	Average, Voltage, imaginary part U LN	[1]
2258	FLOAT	RD	V	Average, Voltage, imaginary part U LN	[2]
2500	FLOAT	RD	A	Average, Current IL	[0]
2502	FLOAT	RD	A	Average, Current IL	[1]
2504	FLOAT	RD	A	Average, Current IL	[2]
2506	FLOAT	RD	A	Average, Vector sum; IN=I1+I2+I3	[3]
2508	FLOAT	RD	W	Average, Real power P LN	[0]
2510	FLOAT	RD	W	Average, Real power PLN	[1]
2512	FLOAT	RD	W	Average, Real power P LN	[2]
2514	FLOAT	RD	W	Average, Sum; Psum3=P1+P2+P3	[3]
2516	FLOAT	RD	var	Average, Fund. reactive power Q LN	[0]
2518	FLOAT	RD	var	Average, Fund. reactive power Q LN	[1]
2520	FLOAT	RD	var	Average, Fund. reactive power Q LN	[2]
2522	FLOAT	RD	var	Average, Sum; Qsum3=Q1+Q2+Q3	[3]
2524	FLOAT	RD	VA	Average, Apparent power S LN	[0]
2526	FLOAT	RD	VA	Average, Apparent power S LN	[1]
2528	FLOAT	RD	VA	Average, Apparent power S LN	[2]
2530	FLOAT	RD	VA	Average, Sum; Ssum3=S1+S2+S3	[3]
2532	FLOAT	RD	W	Average, Fund. real power P0 LN	[0]
2534	FLOAT	RD	W	Average, Fund. real power P0 LN	[1]
2536	FLOAT	RD	W	Average, Fund. real power P0 LN	[2]
2538	FLOAT	RD	W	Average, Sum; CosPhisum3=P0sum3/Ssum3	[3]
2540	FLOAT	RD	var	Average, Harmonic distortion power D LN	[0]
2542	FLOAT	RD	var	Average, Harmonic distortion power D LN	[1]
2544	FLOAT	RD	var	Average, Harmonic distortion power D LN	[2]
2546	FLOAT	RD	var	Average, Sum; Dsum3=D1+D2+D3	[3]
2548	FLOAT	RD	%	Average, THD I	[0]
2550	FLOAT	RD	%	Average, THD I	[1]
2552	FLOAT	RD	%	Average, THD I	[2]
2554	FLOAT	RD	%	Average, TDD I	[0]
2556	FLOAT	RD	%	Average, TDD I	[1]
2558	FLOAT	RD	%	Average, TDD I	[2]
2560	FLOAT	RD	-	Average, Current, zero sequence	
2562	FLOAT	RD	-	Average, Current, negative sequence	
2564	FLOAT	RD	-	Average, Current, positive sequence	
2566	FLOAT	RD	A	Average, Current, real part I L	[0]
2568	FLOAT	RD	A	Average, Current, real part I L	[1]
2570	FLOAT	RD	A	Average, Current, real part I L	[2]

Address	Format	RD/WR	Unit	Note	Index
2572	FLOAT	RD	A	Average, Current, imaginary part IL	[0]
2574	FLOAT	RD	A	Average, Current, imaginary part IL	[1]
2576	FLOAT	RD	A	Average, Current, imaginary part IL	[2]
4852	FLOAT	RD	Hz	Average, frequency 200 ms	
10097	FLOAT	RD	W	Average, Power s0, input 1	[0]
10099	FLOAT	RD	W	Average, Power s0, input 2	[1]
10101	FLOAT	RD	W	Average, Power s0, input 3	[2]
10115	FLOAT	RD	A	Average, Current I L4	
10117	FLOAT	RD	%	Average, THD I L4	
10119	FLOAT	RD	%	Average, TDD I L4	
11041	FLOAT	RD	°C	Average, Temperature input 1	
11043	FLOAT	RD	°C	Average, Temperature input 2	
11045	FLOAT	RD	%	Average, Diff1 4-20mA	
11047	FLOAT	RD	%	Average, Diff2 4-20mA	
11049	FLOAT	RD	A	Average, Current Diff1	
11051	FLOAT	RD	A	Average, Current Diff2	
11053	FLOAT	RD	%	Average, THD I Diff1	
11055	FLOAT	RD	%	Average, THD I Diff2	
11465	FLOAT	RD	A	Average, Arithmetic Sum Current (I1+I2+I3)	

Mean values, type short

Address	Format	RD/WR	Unit	Note	Index	Resolution
3956	SHORT	RD	Hz	Average, measured frequency		0,01
3957	SHORT	RD	V	Average, Voltage, zero sequence		0,1
3958	SHORT	RD	V	Average, Voltage, negative sequence		0,1
3959	SHORT	RD	V	Average, Voltage, positive sequence		0,1
3960	SHORT	RD	V	Average, Voltage L-N	[0]	0,1
3961	SHORT	RD	V	Average, Voltage L-N	[1]	0,1
3962	SHORT	RD	V	Average, Voltage L-N	[2]	0,1
3963	SHORT	RD	V	Average, Voltage L-L	[0]	0,1
3964	SHORT	RD	V	Average, Voltage L-L	[1]	0,1
3965	SHORT	RD	V	Average, Voltage L-L	[2]	0,1
4206	SHORT	RD	-	Average, Fund. power factor, CosPhi; ULN IL	[0]	0,01
4207	SHORT	RD	-	Average, Fund. power factor, CosPhi; ULN IL	[1]	0,01
4208	SHORT	RD	-	Average, Fund. power factor, CosPhi; ULN IL	[2]	0,01
4209	SHORT	RD	-	Average, Sum; CosPhisum3=P0sum3/Ssum3	[3]	0,01
4210	SHORT	RD	-	Average, Power factor; ULN IL	[0]	0,01
4211	SHORT	RD	-	Average, Power factor; ULN IL	[1]	0,01
4212	SHORT	RD	-	Average, Power factor; ULN IL	[2]	0,01
4213	SHORT	RD	-	Average, Sum; Power factor sum3=Psum3/Ssum3	[3]	
4214	SHORT	RD	%	Average, THD U LN	[0]	0,1
4215	SHORT	RD	%	Average, THD U LN	[1]	0,1
4216	SHORT	RD	%	Average, THD U LN	[2]	0,1
4217	SHORT	RD	%	Average, THD U LL	[0]	0,1
4218	SHORT	RD	%	Average, THD U LL	[1]	0,1
4219	SHORT	RD	%	Average, THD U LL	[2]	0,1
4220	SHORT	RD	V	Average, real part U LN	[0]	0,1
4221	SHORT	RD	V	Average, real part U LN	[1]	0,1
4222	SHORT	RD	V	Average, real part U LN	[2]	0,1
4223	SHORT	RD	V	Average, imaginary part U LN	[0]	0,1
4224	SHORT	RD	V	Average, imaginary part U LN	[1]	0,1
4225	SHORT	RD	V	Average, imaginary part U LN	[2]	0,1
4346	SHORT	RD	mA	Average, Current I L	[0]	1
4347	SHORT	RD	mA	Average, Current I L	[1]	1
4348	SHORT	RD	mA	Average, Current I L	[2]	1
4349	SHORT	RD	mA	Average, Vector sum; IN=I1+I2+I3	[3]	1
4350	SHORT	RD	W	Average, Real power P LN	[0]	0,1
4351	SHORT	RD	W	Average, Real power P LN	[1]	0,1
4352	SHORT	RD	W	Average, Real power P LN	[2]	0,1
4353	SHORT	RD	W	Average, Sum; Psum3=P1+P2+P3	[3]	0,1
4354	SHORT	RD	var	Average, Fund. reactive power Q LN	[0]	0,1
4355	SHORT	RD	var	Average, Fund. reactive power Q LN	[1]	0,1
4356	SHORT	RD	var	Average, Fund. reactive power Q LN	[2]	0,1
4357	SHORT	RD	var	Average, Sum; Qsum3=Q1+Q2+Q3	[3]	0,1
4358	SHORT	RD	VA	Average, Apparent power S LN	[0]	0,1
4359	SHORT	RD	VA	Average, Apparent power S LN	[1]	0,1
4360	SHORT	RD	VA	Average, Apparent power S LN	[2]	0,1
4361	SHORT	RD	VA	Average, Sum; Ssum3=S1+S2+S3	[3]	0,1
4362	SHORT	RD	W	Average, Fund. real power P0 LN	[0]	0,1
4363	SHORT	RD	W	Average, Fund. real power P0 LN	[1]	0,1
4364	SHORT	RD	W	Average, Fund. real power P0 LN	[2]	0,1
4365	SHORT	RD	W	Average, Sum; CosPhisum3=P0sum3/Ssum3	[3]	0,1
4366	SHORT	RD	var	Average, Harmonic distortion power D LN	[0]	0,1
4367	SHORT	RD	var	Average, Harmonic distortion power D LN	[1]	0,1
4368	SHORT	RD	var	Average, Harmonic distortion power D LN	[2]	0,1
4369	SHORT	RD	var	Average, Sum; Dsum3=D1+D2+D3	[3]	0,1
4370	SHORT	RD	%	Average, THD I	[0]	0,1
4371	SHORT	RD	%	Average, THD I	[1]	0,1
4372	SHORT	RD	%	Average, THD I	[2]	0,1
4373	SHORT	RD	%	Average, TDD I	[0]	0,1
4374	SHORT	RD	%	Average, TDD I	[1]	0,1
4375	SHORT	RD	%	Average, TDD I	[2]	0,1
4376	SHORT	RD	mA	Average, Current, zero sequence		1
4377	SHORT	RD	mA	Average, Current, negative sequence		1
4378	SHORT	RD	mA	Average, Current, positive sequence		1
4379	SHORT	RD	mA	Average, Current, real part I L	[0]	1
4380	SHORT	RD	mA	Average, Current, real part I L	[1]	1

Address	Format	RD/WR	Unit	Note	Index	Resolution
4381	SHORT	RD	mA	Average, Current, real part I L	[2]	1
4382	SHORT	RD	mA	Average, Current, imaginary part I L	[0]	1
4383	SHORT	RD	mA	Average, Current, imaginary part I L	[1]	1
4384	SHORT	RD	mA	Average, Current, imaginary part I L	[2]	1
4859	SHORT	RD	Hz	Average, frequency 200 ms, Integer		0,01
10770	SHORT	RD	mA	Average, Current I L4		1
10771	SHORT	RD	%	Average, THD I L4		0,1
10772	SHORT	RD	%	Average, TDD I L4		0,1
10773	SHORT	RD	W	Average, Power S0, input 1	[0]	0,1
10774	SHORT	RD	W	Average, Power S0, input 2	[1]	0,1
10775	SHORT	RD	W	Average, Power S0, input 3	[2]	0,1
11361	SHORT	RD	°C	Average, Temperature input 1		0,1
11362	SHORT	RD	°C	Average, Temperature input 2		0,1
11363	SHORT	RD	%	Average, Diff1 4-20mA		0,1
11364	SHORT	RD	%	Average, Diff2 4-20mA		0,1
11365	SHORT	RD	mA	Average, Current Diff1		1
11366	SHORT	RD	mA	Average, Current Diff2		1
11367	SHORT	RD	%	Average, THD I Diff1		0,1
11368	SHORT	RD	%	Average, THD I Diff2		0,1

Minimum values, type float

Address	Format	RD/WR	Unit	Note	Index
3436	FLOAT	RD	Hz	Minimum, measured frequency	
3438	FLOAT	RD	-	Minimum, Voltage, zero sequence	
3440	FLOAT	RD	-	Minimum, Voltage, negative sequence	
3442	FLOAT	RD	-	Minimum, Voltage, positive sequence	
3444	FLOAT	RD	V	Minimum, Voltage L-N	[0]
3446	FLOAT	RD	V	Minimum, Voltage L-N	[1]
3448	FLOAT	RD	V	Minimum, Voltage L-N	[2]
3450	FLOAT	RD	V	Minimum, Voltage L-L	[0]
3452	FLOAT	RD	V	Minimum, Voltage L-L	[1]
3454	FLOAT	RD	V	Minimum, Voltage L-L	[2]
3456	FLOAT	RD	-	Minimum, Fund. power factor, CosPhi; ULN IL	[0]
3458	FLOAT	RD	-	Minimum, Fund. power factor, CosPhi; ULN IL	[1]
3460	FLOAT	RD	-	Minimum, Fund. power factor, CosPhi; ULN IL	[2]
3462	FLOAT	RD	-	Minimum, Sum; CosPhisum3=P0sum3/Ssum3	[3]
3464	FLOAT	RD	-	Minimum, Power factor; ULN I L	[0]
3466	FLOAT	RD	-	Minimum, Power factor; ULN I L	[1]
3468	FLOAT	RD	-	Minimum, Power factor; ULN I L	[2]
3470	FLOAT	RD	-	Minimum, Sum; Power factor sum3=Psum3/Ssum3	[3]
3472	FLOAT	RD	%	Minimum, THD U LN	[0]
3474	FLOAT	RD	%	Minimum, THD U LN	[1]
3476	FLOAT	RD	%	Minimum, THD U LN	[2]
3478	FLOAT	RD	%	Minimum, THD U LL	[0]
3480	FLOAT	RD	%	Minimum, THD U LL	[1]
3482	FLOAT	RD	%	Minimum, THD U LL	[2]
3484	FLOAT	RD	V	Minimum, Voltage, real part U LN	[0]
3486	FLOAT	RD	V	Minimum, Voltage, real part U LN	[1]
3488	FLOAT	RD	V	Minimum, Voltage, real part U LN	[2]
3490	FLOAT	RD	V	Minimum, Voltage, imaginary part U LN	[0]
3492	FLOAT	RD	V	Minimum, Voltage, imaginary part U LN	[1]
3494	FLOAT	RD	V	Minimum, Voltage, imaginary part U LN	[2]
4856	FLOAT	RD	Hz	Minimum, frequency 200 ms	

Minimum values, type short

Address	Format	RD/WR	Unit	Note	Index	Resolution
4814	SHORT	RD	Hz	measured frequency		0,01
4815	SHORT	RD	V	Voltage, zero sequence		0,1
4816	SHORT	RD	V	Voltage, negative sequence		0,1
4817	SHORT	RD	V	Voltage, positive sequence		0,1
4818	SHORT	RD	V	Voltage L-N	[0]	0,1
4819	SHORT	RD	V	Voltage L-N	[1]	0,1
4820	SHORT	RD	V	Voltage L-N	[2]	0,1
4821	SHORT	RD	V	Voltage L-L	[0]	0,1
4822	SHORT	RD	V	Voltage L-L	[1]	0,1
4823	SHORT	RD	V	Voltage L-L	[2]	0,1
4824	SHORT	RD	-	Fund. power factor, CosPhi; ULN IL	[0]	0,01
4825	SHORT	RD	-	Fund. power factor, CosPhi; ULN IL	[1]	0,01
4826	SHORT	RD	-	Fund. power factor, CosPhi; ULN IL	[2]	0,01
4827	SHORT	RD	-	Sum; CosPhisum3=P0sum3/Ssum3	[3]	0,01
4828	SHORT	RD	-	Power factor; ULN IL	[0]	0,01
4829	SHORT	RD	-	Power factor; ULN IL	[1]	0,01
4830	SHORT	RD	-	Power factor; ULN IL	[2]	0,01
4831	SHORT	RD	-	Sum; Power factor sum3=Psum3/Ssum3	[3]	
4832	SHORT	RD	%	THD U LN	[0]	0,1
4833	SHORT	RD	%	THD U LN	[1]	0,1
4834	SHORT	RD	%	THD U LN	[2]	0,1
4835	SHORT	RD	%	THD U LL	[0]	0,1
4836	SHORT	RD	%	THD U LL	[1]	0,1
4837	SHORT	RD	%	THD U LL	[2]	0,1
4838	SHORT	RD	V	Voltage, real part U LN	[0]	0,1
4839	SHORT	RD	V	Voltage, real part U LN	[1]	0,1
4840	SHORT	RD	V	Voltage, real part U LN	[2]	0,1
4841	SHORT	RD	V	Voltage, imaginary part U LN	[0]	0,1
4842	SHORT	RD	V	Voltage, imaginary part U LN	[1]	0,1
4843	SHORT	RD	V	Voltage, imaginary part U LN	[2]	0,1
4861	SHORT	RD	Hz	Minimum, frequency 200 ms, Integer		0,01

Maximum values, type float

Address	Format	RD/WR	Unit	Note	Index
2578	FLOAT	RD	Hz	Maximum, measured frequency	
2580	FLOAT	RD	-	Maximum, Voltage, zero sequence	
2582	FLOAT	RD	-	Maximum, Voltage, negative sequence	
2584	FLOAT	RD	-	Maximum, Voltage, positive sequence	
2586	FLOAT	RD	V	Maximum, Voltage L-N	[0]
2588	FLOAT	RD	V	Maximum, Voltage L-N	[1]
2590	FLOAT	RD	V	Maximum, Voltage L-N	[2]
2592	FLOAT	RD	V	Maximum, Voltage L-L	[0]
2594	FLOAT	RD	V	Maximum, Voltage L-L	[1]
2596	FLOAT	RD	V	Maximum, Voltage L-L	[2]
3078	FLOAT	RD	-	Maximum, Fund. power factor, CosPhi; ULN IL	[0]
3080	FLOAT	RD	-	Maximum, Fund. power factor, CosPhi; ULN IL	[1]
3082	FLOAT	RD	-	Maximum, Fund. power factor, CosPhi; ULN IL	[2]
3084	FLOAT	RD	-	Maximum, Sum; CosPhisum3=P0sum3/Ssum3	[3]
3086	FLOAT	RD	-	Maximum, Power factor; ULN IL	[0]
3088	FLOAT	RD	-	Maximum, Power factor; ULN IL	[1]
3090	FLOAT	RD	-	Maximum, Power factor; ULN IL	[2]
3092	FLOAT	RD	-	Maximum, Sum; Power factor sum3=Psum3/Ssum	[3]
3094	FLOAT	RD	%	Maximum, THD, U LN	[0]
3096	FLOAT	RD	%	Maximum, THD, U LN	[1]
3098	FLOAT	RD	%	Maximum, THD, U LN	[2]
3100	FLOAT	RD	%	Maximum, THD, U LL	[0]
3102	FLOAT	RD	%	Maximum, THD, U LL	[1]
3104	FLOAT	RD	%	Maximum, THD, U LL	[2]
3106	FLOAT	RD	V	Maximum, Voltage, real part U LN	[0]
3108	FLOAT	RD	V	Maximum, Voltage, real part U LN	[1]
3110	FLOAT	RD	V	Maximum, Voltage, real part U LN	[2]
3112	FLOAT	RD	V	Maximum, Voltage, imaginary part U LN	[0]
3114	FLOAT	RD	V	Maximum, Voltage, imaginary part U LN	[1]
3116	FLOAT	RD	V	Maximum, Voltage, imaginary part U LN	[2]
3358	FLOAT	RD	A	Maximum, Current I L	[0]
3360	FLOAT	RD	A	Maximum, Current I L	[1]
3362	FLOAT	RD	A	Maximum, Current I L	[2]
3364	FLOAT	RD	A	Maximum, Vector sum; IN=I1+I2+I3	[3]
3366	FLOAT	RD	W	Maximum, Real power P LN	[0]
3368	FLOAT	RD	W	Maximum, Real power P LN	[1]
3370	FLOAT	RD	W	Maximum, Real power P LN	[2]
3372	FLOAT	RD	W	Maximum, Sum; Psum3=P1+P2+P3	[3]
3374	FLOAT	RD	var	Maximum, Fund. reactive power Q LN	[0]
3376	FLOAT	RD	var	Maximum, Fund. reactive power Q LN	[1]
3378	FLOAT	RD	var	Maximum, Fund. reactive power Q LN	[2]
3380	FLOAT	RD	var	Maximum, Sum; Qsum3=Q1+Q2+Q3	[3]
3382	FLOAT	RD	VA	Maximum, Average, Apparent power S LN	[0]
3384	FLOAT	RD	VA	Maximum, Average, Apparent power S LN	[1]
3386	FLOAT	RD	VA	Maximum, Average, Apparent power S LN	[2]
3388	FLOAT	RD	VA	Maximum, Average, Sum; Ssum3=S1+S2+S3	[3]
3390	FLOAT	RD	W	Maximum, Fund. real power P0 LN	[0]
3392	FLOAT	RD	W	Maximum, Fund. real power P0 LN	[1]
3394	FLOAT	RD	W	Maximum, Fund. real power P0 LN	[2]
3396	FLOAT	RD	W	Maximum, Sum; P0sum3=P01+P02+P03	[3]
3398	FLOAT	RD	var	Maximum, Harmonic distortion power D LN	[0]
3400	FLOAT	RD	var	Maximum, Harmonic distortion power D LN	[1]
3402	FLOAT	RD	var	Maximum, Harmonic distortion power D LN	[2]
3404	FLOAT	RD	var	Maximum, Sum; Dsum3=D1+D2+D3	[3]
3406	FLOAT	RD	A	Maximum, THD I	[0]
3408	FLOAT	RD	A	Maximum, THD I	[1]
3410	FLOAT	RD	A	Maximum, THD I	[2]
3412	FLOAT	RD	A	Maximum, TDD I	[0]
3414	FLOAT	RD	A	Maximum, TDD I	[1]
3416	FLOAT	RD	A	Maximum, TDD I	[2]
3418	FLOAT	RD	-	Maximum, Current, zero sequence	
3420	FLOAT	RD	-	Maximum, Current, negative sequence	
3422	FLOAT	RD	-	Maximum, positive sequence	
3424	FLOAT	RD	A	Maximum, real part I L	[0]
3426	FLOAT	RD	A	Maximum, real part I L	[1]
3428	FLOAT	RD	A	Maximum, real part I L	[2]

Address	Format	RD/WR	Unit	Note	Index
3430	FLOAT	RD	A	Maximum, imaginary part I L	[0]
3432	FLOAT	RD	A	Maximum, imaginary part I L	[1]
3434	FLOAT	RD	A	Maximum, imaginary part I L	[2]
4854	FLOAT	RD	Hz	Maximum, frequency 200 ms	
10103	FLOAT	RD	W	Maximum, Power s0, input 1	[0]
10105	FLOAT	RD	W	Maximum, Power s0, input 2	[1]
10107	FLOAT	RD	W	Maximum, Power s0, input 3	[2]
10121	FLOAT	RD	A	Maximum, Current I L4	
10123	FLOAT	RD	%	Maximum, THD I L4	
10125	FLOAT	RD	%	Maximum, TDD I L4	
11217	FLOAT	RD	°C	Maximum, Temperature input 1	
11219	FLOAT	RD	°C	Maximum, Temperature input 2	
11221	FLOAT	RD	%	Maximum, Diff1 4-20mA	
11223	FLOAT	RD	%	Maximum, Diff2 4-20mA	
11225	FLOAT	RD	A	Maximum, Current Diff1	
11227	FLOAT	RD	A	Maximum, Current Diff2	
11229	FLOAT	RD	%	Maximum, THD I Diff1	
11231	FLOAT	RD	%	Maximum, THD I Diff2	
11467	FLOAT	RD	A	Maximum, Arithmetic Sum Current (I1+I2+I3)	

Maximum values, type short

Address	Format	RD/WR	Unit	Note	Index	Resolution
4385	SHORT	RD	Hz	Maximum, measured frequency		0,01
4386	SHORT	RD	V	Maximum, Voltage, zero sequence		0,1
4387	SHORT	RD	V	Maximum, Voltage, negative sequence		0,1
4388	SHORT	RD	V	Maximum, Voltage, positive sequence		0,1
4389	SHORT	RD	V	Maximum, Voltage L-N	[0]	0,1
4390	SHORT	RD	V	Maximum, Voltage L-N	[1]	0,1
4391	SHORT	RD	V	Maximum, Voltage L-N	[2]	0,1
4392	SHORT	RD	V	Maximum, Voltage L-L	[0]	0,1
4393	SHORT	RD	V	Maximum, Voltage L-L	[1]	0,1
4394	SHORT	RD	V	Maximum, Voltage L-L	[2]	0,1
4635	SHORT	RD	-	Maximum, Fund. power factor, CosPhi; ULN IL	[0]	0,01
4636	SHORT	RD	-	Maximum, Fund. power factor, CosPhi; ULN IL	[1]	0,01
4637	SHORT	RD	-	Maximum, Fund. power factor, CosPhi; ULN IL	[2]	0,01
4638	SHORT	RD	-	Maximum, Sum; CosPhisum3=P0sum3/Ssum3	[3]	0,01
4639	SHORT	RD	-	Maximum, Power factor; ULN IL	[0]	0,01
4640	SHORT	RD	-	Maximum, Power factor; ULN IL	[1]	0,01
4641	SHORT	RD	-	Maximum, Power factor; ULN IL	[2]	0,01
4642	SHORT	RD	-	Maximum, Sum; Power factor sum3=Psum3/Ssum3	[3]	
4643	SHORT	RD	%	Maximum, THD U LN	[0]	0,1
4644	SHORT	RD	%	Maximum, THD U LN	[1]	0,1
4645	SHORT	RD	%	Maximum, THD U LN	[2]	0,1
4646	SHORT	RD	%	Maximum, THD U LL	[0]	0,1
4647	SHORT	RD	%	Maximum, THD U LL	[1]	0,1
4648	SHORT	RD	%	Maximum, THD U LL	[2]	0,1
4649	SHORT	RD	V	Maximum, real part U LN	[0]	0,1
4650	SHORT	RD	V	Maximum, real part U LN	[1]	0,1
4651	SHORT	RD	V	Maximum, real part U LN	[2]	0,1
4652	SHORT	RD	V	Maximum, imaginary part U LN	[0]	0,1
4653	SHORT	RD	V	Maximum, imaginary part U LN	[1]	0,1
4654	SHORT	RD	V	Maximum, imaginary part U LN	[2]	0,1
4775	SHORT	RD	mA	Maximum, Current I L	[0]	1
4776	SHORT	RD	mA	Maximum, Current I L	[1]	1
4777	SHORT	RD	mA	Maximum, Current I L	[2]	1
4778	SHORT	RD	mA	Maximum, Vector sum; IN=I1+I2+I3	[3]	1
4779	SHORT	RD	W	Maximum, Real power P LN	[0]	0,1
4780	SHORT	RD	W	Maximum, Real power P LN	[1]	0,1
4781	SHORT	RD	W	Maximum, Real power P LN	[2]	0,1
4782	SHORT	RD	W	Maximum, Sum; Psum3=P1+P2+P3	[3]	0,1
4783	SHORT	RD	var	Maximum, Fund. reactive power Q LN	[0]	0,1
4784	SHORT	RD	var	Maximum, Fund. reactive power Q LN	[1]	0,1
4785	SHORT	RD	var	Maximum, Fund. reactive power Q LN	[2]	0,1
4786	SHORT	RD	var	Maximum, Sum; Qsum3=Q1+Q2+Q3	[3]	0,1
4787	SHORT	RD	VA	Maximum, Apparent power S LN	[0]	0,1
4788	SHORT	RD	VA	Maximum, Apparent power S LN	[1]	0,1
4789	SHORT	RD	VA	Maximum, Apparent power S LN	[2]	0,1
4790	SHORT	RD	VA	Maximum, Sum; Ssum3=S1+S2+S3	[3]	0,1
4791	SHORT	RD	W	Maximum, Fund. real power P0 LN	[0]	0,1
4792	SHORT	RD	W	Maximum, Fund. real power P0 LN	[1]	0,1
4793	SHORT	RD	W	Maximum, Fund. real power P0 LN	[2]	0,1
4794	SHORT	RD	W	Maximum, Sum; P0sum3=P01+P02+P03	[3]	0,1
4795	SHORT	RD	var	Maximum, Harmonic distortion power D LN	[0]	0,1
4796	SHORT	RD	var	Maximum, Harmonic distortion power D LN	[1]	0,1
4797	SHORT	RD	var	Maximum, Harmonic distortion power D LN	[2]	0,1
4798	SHORT	RD	var	Maximum, Sum; Dsum3=D1+D2+D3	[3]	0,1
4799	SHORT	RD	%	Maximum, THD I	[0]	0,1
4800	SHORT	RD	%	Maximum, THD I	[1]	0,1
4801	SHORT	RD	%	Maximum, THD I	[2]	0,1
4802	SHORT	RD	%	Maximum, TDD I	[0]	0,1
4803	SHORT	RD	%	Maximum, TDD I	[1]	0,1
4804	SHORT	RD	%	Maximum, TDD I	[2]	0,1
4805	SHORT	RD	mA	Maximum, Current, zero sequence		1
4806	SHORT	RD	mA	Maximum, Current, negative sequence		1
4807	SHORT	RD	mA	Maximum, Current, positive sequence		1
4808	SHORT	RD	mA	Maximum, Current, real part IL	[0]	1
4809	SHORT	RD	mA	Maximum, Current, real part IL	[1]	1
4810	SHORT	RD	mA	Maximum, Current, real part IL	[2]	1

Address	Format	RD/WR	Unit	Note	Index	Resolution
4811	SHORT	RD	mA	Maximum, Current, imaginary part I L	[0]	1
4812	SHORT	RD	mA	Maximum, Current, imaginary part I L	[1]	1
4813	SHORT	RD	mA	Maximum, Current, imaginary part I L	[2]	1
4860	SHORT	RD	Hz	Maximum, frequency 200 ms, Integer		0,01
10817	SHORT	RD	mA	Maximum, Current I L4		1
10818	SHORT	RD	%	Maximum, THD I L4		0,1
10819	SHORT	RD	%	Maximum, TDD I L4		0,1
10820	SHORT	RD	W	Maximum, Power S0, input 1		0,1
10821	SHORT	RD	W	Maximum, Power S0, input 2		0,1
10822	SHORT	RD	W	Maximum, Power S0, input 3		0,1
11449	SHORT	RD	°C	Maximum, Temperature input 1		0,1
11450	SHORT	RD	°C	Maximum, Temperature input 2		0,1
11451	SHORT	RD	%	Maximum, Diff1 4-20mA		0,1
11452	SHORT	RD	%	Maximum, Diff2 4-20mA		0,1
11453	SHORT	RD	mA	Maximum, Current Diff1		1
11454	SHORT	RD	mA	Maximum, Current Diff2		1
11455	SHORT	RD	%	Maximum, THD I Diff1		0,1
11456	SHORT	RD	%	Maximum, THD I Diff2		0,1

Maximum values of mean values, type float

Address	Format	RD/WR	Unit	Note	Index
3496	FLOAT	RD	A	Max. values of average val., Current I L1	[0]
3498	FLOAT	RD	A	Max. values of average val., Current I L2	[1]
3500	FLOAT	RD	A	Max. values of average val., Current I L3	[2]
3502	FLOAT	RD	A	Max. values of average val., Vector sum; $IN=I1+I2+I3$	[3]
3504	FLOAT	RD	W	Max. values of average val., Real power P L1-N	[0]
3506	FLOAT	RD	W	Max. values of average val., Real power P L2-N	[1]
3508	FLOAT	RD	W	Max. values of average val., Real power P L3-N	[2]
3510	FLOAT	RD	W	Max. values of average val., Sum; $Psum3=P1+P2+P3$	[3]
10127	FLOAT	RD	A	Max. values of average val., Current I L4	
11233	FLOAT	RD	°C	Max. values of average val., Temperature input 1	
11235	FLOAT	RD	°C	Max. values of average val., Temperature input 2	
11237	FLOAT	RD	%	Max. values of average val., Diff1 4-20mA	
11239	FLOAT	RD	%	Max. values of average val., Diff2 4-20mA	
11241	FLOAT	RD	A	Max. values of average val., Current Diff1	
11243	FLOAT	RD	A	Max. values of average val., Current Diff2	
11469	FLOAT	RD	A	Arithmetic Sum Current (I1+I2+I3), maximum average	

Maximum values of mean values, type short

Address	Format	RD/WR	Unit	Note	Index	Resolution
4844	SHORT	RD	mA	Max. value of average val., Current I L	[0]	1
4845	SHORT	RD	mA	Max. value of average val., Current I L	[1]	1
4846	SHORT	RD	mA	Max. value of average val., Current I L	[2]	1
4847	SHORT	RD	mA	Max. value of average val., Vector sum; $I_N=I_1+I_2+I_3$	[3]	1
4848	SHORT	RD	W	Max. value of average val., Real power P LN	[0]	0,1
4849	SHORT	RD	W	Max. value of average val., Real power P LN	[1]	0,1
4850	SHORT	RD	W	Max. value of average val., Real power P LN	[2]	0,1
4851	SHORT	RD	W	Max. value of average val., Sum; $P_{sum3}=P_1+P_2+P_3$	[3]	0,1
10864	SHORT	RD	mA	Max. value of average val., current I L4		1
11457	SHORT	RD	°C	Max. value of average val., Temperature input 1		0,1
11458	SHORT	RD	°C	Max. value of average val., Temperature input 2		0,1
11459	SHORT	RD	%	Max. value of average val., Diff1 4-20mA		0,1
11460	SHORT	RD	%	Max. value of average val., Diff2 4-20mA		0,1
11461	SHORT	RD	mA	Max. value of average val., Current Diff1		1
11462	SHORT	RD	mA	Max. value of average val., Current Diff2		1

Energy, type Integer

The energy values in integer format do not provide any current- and voltage transformer ratios

Address	Format	RD/WR	Unit	Note	Index
5448	INT	RD	Wh	Real energy, L1, rate	[0]
5450	INT	RD	Wh	Real energy, L1, rate	[1]
5452	INT	RD	Wh	Real energy, L1, rate	[2]
5454	INT	RD	Wh	Real energy, L1, rate	[3]
5456	INT	RD	Wh	Real energy, L1, rate	[4]
5458	INT	RD	Wh	Real energy, L1, rate	[5]
5460	INT	RD	Wh	Real energy, L1, rate	[6]
5462	INT	RD	Wh	Real energy, L1, rate	[7]
5464	INT	RD	Wh	Real energy, L1, obtained, rate	[0]
5466	INT	RD	Wh	Real energy, L1, obtained, rate	[1]
5468	INT	RD	Wh	Real energy, L1, obtained, rate	[2]
5470	INT	RD	Wh	Real energy, L1, obtained, rate	[3]
5472	INT	RD	Wh	Real energy, L1, obtained, rate	[4]
5474	INT	RD	Wh	Real energy, L1, obtained, rate	[5]
5476	INT	RD	Wh	Real energy, L1, obtained, rate	[6]
5478	INT	RD	Wh	Real energy, L1, obtained, rate	[7]
5480	INT	RD	Wh	Real energy, L1, supplied, rate	[0]
5482	INT	RD	Wh	Real energy, L1, supplied, rate	[1]
5484	INT	RD	Wh	Real energy, L1, supplied, rate	[2]
5486	INT	RD	Wh	Real energy, L1, supplied, rate	[3]
5488	INT	RD	Wh	Real energy, L1, supplied, rate	[4]
5490	INT	RD	Wh	Real energy, L1, supplied, rate	[5]
5492	INT	RD	Wh	Real energy, L1, supplied, rate	[6]
5494	INT	RD	Wh	Real energy, L1, supplied, rate	[7]
5496	INT	RD	varh	Reactive energy, L1, rate	[0]
5498	INT	RD	varh	Reactive energy, L1, rate	[1]
5500	INT	RD	varh	Reactive energy, L1, rate	[2]
5502	INT	RD	varh	Reactive energy, L1, rate	[3]
5504	INT	RD	varh	Reactive energy, L1, rate	[4]
5506	INT	RD	varh	Reactive energy, L1, rate	[5]
5508	INT	RD	varh	Reactive energy, L1, rate	[6]
5510	INT	RD	varh	Reactive energy, L1, rate	[7]
5512	INT	RD	varh	Reactive energy, L1, ind., rate	[0]
5514	INT	RD	varh	Reactive energy, L1, ind., rate	[1]
5516	INT	RD	varh	Reactive energy, L1, ind., rate	[2]
5518	INT	RD	varh	Reactive energy, L1, ind., rate	[3]
5520	INT	RD	varh	Reactive energy, L1, ind., rate	[4]
5522	INT	RD	varh	Reactive energy, L1, ind., rate	[5]
5524	INT	RD	varh	Reactive energy, L1, ind., rate	[6]
5526	INT	RD	varh	Reactive energy, L1, ind., rate	[7]
5528	INT	RD	varh	Reactive energy, L1, cap., rate	[0]
5530	INT	RD	varh	Reactive energy, L1, cap., rate	[1]
5532	INT	RD	varh	Reactive energy, L1, cap., rate	[2]
5534	INT	RD	varh	Reactive energy, L1, cap., rate	[3]
5536	INT	RD	varh	Reactive energy, L1, cap., rate	[4]
5538	INT	RD	varh	Reactive energy, L1, cap., rate	[5]
5540	INT	RD	varh	Reactive energy, L1, cap., rate	[6]
5542	INT	RD	varh	Reactive energy, L1, cap., rate	[7]
5544	INT	RD	VAh	Apparent energy, L1, rate	[0]
5546	INT	RD	VAh	Apparent energy, L1, rate	[1]
5548	INT	RD	VAh	Apparent energy, L1, rate	[2]
5550	INT	RD	VAh	Apparent energy, L1, rate	[3]
5552	INT	RD	VAh	Apparent energy, L1, rate	[4]
5554	INT	RD	VAh	Apparent energy, L1, rate	[5]
5556	INT	RD	VAh	Apparent energy, L1, rate	[6]
5558	INT	RD	VAh	Apparent energy, L1, rate	[7]
5560	INT	RD	Wh	Real energy, L2, rate	[0]
5562	INT	RD	Wh	Real energy, L2, rate	[1]
5564	INT	RD	Wh	Real energy, L2, rate	[2]
5566	INT	RD	Wh	Real energy, L2, rate	[3]
5568	INT	RD	Wh	Real energy, L2, rate	[4]
5570	INT	RD	Wh	Real energy, L2, rate	[5]
5572	INT	RD	Wh	Real energy, L2, rate	[6]
5574	INT	RD	Wh	Real energy, L2, rate	[7]
5576	INT	RD	Wh	Real energy, L2, obtained, rate	[0]
5578	INT	RD	Wh	Real energy, L2, obtained, rate	[1]

Address	Format	RD/WR	Unit	Note	Index
5580	INT	RD	Wh	Real energy, L2, obtained, rate	[2]
5582	INT	RD	Wh	Real energy, L2, obtained, rate	[3]
5584	INT	RD	Wh	Real energy, L2, obtained, rate	[4]
5586	INT	RD	Wh	Real energy, L2, obtained, rate	[5]
5588	INT	RD	Wh	Real energy, L2, obtained, rate	[6]
5590	INT	RD	Wh	Real energy, L2, obtained, rate	[7]
5592	INT	RD	Wh	Real energy, L2, supplied, rate	[0]
5594	INT	RD	Wh	Real energy, L2, supplied, rate	[1]
5596	INT	RD	Wh	Real energy, L2, supplied, rate	[2]
5598	INT	RD	Wh	Real energy, L2, supplied, rate	[3]
5600	INT	RD	Wh	Real energy, L2, supplied, rate	[4]
5602	INT	RD	Wh	Real energy, L2, supplied, rate	[5]
5604	INT	RD	Wh	Real energy, L2, supplied, rate	[6]
5606	INT	RD	Wh	Real energy, L2, supplied, rate	[7]
5608	INT	RD	varh	Reactive energy, L2, rate	[0]
5610	INT	RD	varh	Reactive energy, L2, rate	[1]
5612	INT	RD	varh	Reactive energy, L2, rate	[2]
5614	INT	RD	varh	Reactive energy, L2, rate	[3]
5616	INT	RD	varh	Reactive energy, L2, rate	[4]
5618	INT	RD	varh	Reactive energy, L2, rate	[5]
5620	INT	RD	varh	Reactive energy, L2, rate	[6]
5622	INT	RD	varh	Reactive energy, L2, rate	[7]
5624	INT	RD	varh	Reactive energy, L2, ind., rate	[0]
5626	INT	RD	varh	Reactive energy, L2, ind., rate	[1]
5628	INT	RD	varh	Reactive energy, L2, ind., rate	[2]
5630	INT	RD	varh	Reactive energy, L2, ind., rate	[3]
5632	INT	RD	varh	Reactive energy, L2, ind., rate	[4]
5634	INT	RD	varh	Reactive energy, L2, ind., rate	[5]
5636	INT	RD	varh	Reactive energy, L2, ind., rate	[6]
5638	INT	RD	varh	Reactive energy, L2, ind., rate	[7]
5640	INT	RD	varh	Reactive energy, L2, cap., rate	[0]
5642	INT	RD	varh	Reactive energy, L2, cap., rate	[1]
5644	INT	RD	varh	Reactive energy, L2, cap., rate	[2]
5646	INT	RD	varh	Reactive energy, L2, cap., rate	[3]
5648	INT	RD	varh	Reactive energy, L2, cap., rate	[4]
5650	INT	RD	varh	Reactive energy, L2, cap., rate	[5]
5652	INT	RD	varh	Reactive energy, L2, cap., rate	[6]
5654	INT	RD	varh	Reactive energy, L2, cap., rate	[7]
5656	INT	RD	VAh	Apparent energy, L2, rate	[0]
5658	INT	RD	VAh	Apparent energy, L2, rate	[1]
5660	INT	RD	VAh	Apparent energy, L2, rate	[2]
5662	INT	RD	VAh	Apparent energy, L2, rate	[3]
5664	INT	RD	VAh	Apparent energy, L2, rate	[4]
5666	INT	RD	VAh	Apparent energy, L2, rate	[5]
5668	INT	RD	VAh	Apparent energy, L2, rate	[6]
5670	INT	RD	VAh	Apparent energy, L2, rate	[7]
5672	INT	RD	Wh	Real energy, L3, rate	[0]
5674	INT	RD	Wh	Real energy, L3, rate	[1]
5676	INT	RD	Wh	Real energy, L3, rate	[2]
5678	INT	RD	Wh	Real energy, L3, rate	[3]
5680	INT	RD	Wh	Real energy, L3, rate	[4]
5682	INT	RD	Wh	Real energy, L3, rate	[5]
5684	INT	RD	Wh	Real energy, L3, rate	[6]
5686	INT	RD	Wh	Real energy, L3, rate	[7]
5688	INT	RD	Wh	Real energy, L3, obtained, rate	[0]
5690	INT	RD	Wh	Real energy, L3, obtained, rate	[1]
5692	INT	RD	Wh	Real energy, L3, obtained, rate	[2]
5694	INT	RD	Wh	Real energy, L3, obtained, rate	[3]
5696	INT	RD	Wh	Real energy, L3, obtained, rate	[4]
5698	INT	RD	Wh	Real energy, L3, obtained, rate	[5]
5700	INT	RD	Wh	Real energy, L3, obtained, rate	[6]
5702	INT	RD	Wh	Real energy, L3, obtained, rate	[7]
5704	INT	RD	Wh	Real energy, L3, supplied, rate	[0]
5706	INT	RD	Wh	Real energy, L3, supplied, rate	[1]
5708	INT	RD	Wh	Real energy, L3, supplied, rate	[2]
5710	INT	RD	Wh	Real energy, L3, supplied, rate	[3]

Address	Format	RD/WR	Unit	Note	Index
5712	INT	RD	Wh	Real energy, L3, supplied, rate	[4]
5714	INT	RD	Wh	Real energy, L3, supplied, rate	[5]
5716	INT	RD	Wh	Real energy, L3, supplied, rate	[6]
5718	INT	RD	Wh	Real energy, L3, supplied, rate	[7]
5720	INT	RD	varh	Reactive energy, L3, rate	[0]
5722	INT	RD	varh	Reactive energy, L3, rate	[1]
5724	INT	RD	varh	Reactive energy, L3, rate	[2]
5726	INT	RD	varh	Reactive energy, L3, rate	[3]
5728	INT	RD	varh	Reactive energy, L3, rate	[4]
5730	INT	RD	varh	Reactive energy, L3, rate	[5]
5732	INT	RD	varh	Reactive energy, L3, rate	[6]
5734	INT	RD	varh	Reactive energy, L3, rate	[7]
5736	INT	RD	varh	Reactive energy, L3, ind., rate	[0]
5738	INT	RD	varh	Reactive energy, L3, ind., rate	[1]
5740	INT	RD	varh	Reactive energy, L3, ind., rate	[2]
5742	INT	RD	varh	Reactive energy, L3, ind., rate	[3]
5744	INT	RD	varh	Reactive energy, L3, ind., rate	[4]
5746	INT	RD	varh	Reactive energy, L3, ind., rate	[5]
5748	INT	RD	varh	Reactive energy, L3, ind., rate	[6]
5750	INT	RD	varh	Reactive energy, L3, ind., rate	[7]
5752	INT	RD	varh	Reactive energy, L3, cap., rate	[0]
5754	INT	RD	varh	Reactive energy, L3, cap., rate	[1]
5756	INT	RD	varh	Reactive energy, L3, cap., rate	[2]
5758	INT	RD	varh	Reactive energy, L3, cap., rate	[3]
5760	INT	RD	varh	Reactive energy, L3, cap., rate	[4]
5762	INT	RD	varh	Reactive energy, L3, cap., rate	[5]
5764	INT	RD	varh	Reactive energy, L3, cap., rate	[6]
5766	INT	RD	varh	Reactive energy, L3, cap., rate	[7]
5768	INT	RD	VAh	Apparent energy, L3, rate	[0]
5770	INT	RD	VAh	Apparent energy, L3, rate	[1]
5772	INT	RD	VAh	Apparent energy, L3, rate	[2]
5774	INT	RD	VAh	Apparent energy, L3, rate	[3]
5776	INT	RD	VAh	Apparent energy, L3, rate	[4]
5778	INT	RD	VAh	Apparent energy, L3, rate	[5]
5780	INT	RD	VAh	Apparent energy, L3, rate	[6]
5782	INT	RD	VAh	Apparent energy, L3, rate	[7]
5784	INT	RD	Wh	Real energy, sum. L1..L3, rate	[0]
5786	INT	RD	Wh	Real energy, sum. L1..L3, rate	[1]
5788	INT	RD	Wh	Real energy, sum. L1..L3, rate	[2]
5790	INT	RD	Wh	Real energy, sum. L1..L3, rate	[3]
5792	INT	RD	Wh	Real energy, sum. L1..L3, rate	[4]
5794	INT	RD	Wh	Real energy, sum. L1..L3, rate	[5]
5796	INT	RD	Wh	Real energy, sum. L1..L3, rate	[6]
5798	INT	RD	Wh	Real energy, sum. L1..L3, rate	[7]
5800	INT	RD	Wh	Real energy, sum. L1..L3, obtained, rate	[0]
5802	INT	RD	Wh	Real energy, sum. L1..L3, obtained, rate	[1]
5804	INT	RD	Wh	Real energy, sum. L1..L3, obtained, rate	[2]
5806	INT	RD	Wh	Real energy, sum. L1..L3, obtained, rate	[3]
5808	INT	RD	Wh	Real energy, sum. L1..L3, obtained, rate	[4]
5810	INT	RD	Wh	Real energy, sum. L1..L3, obtained, rate	[5]
5812	INT	RD	Wh	Real energy, sum. L1..L3, obtained, rate	[6]
5814	INT	RD	Wh	Real energy, sum. L1..L3, obtained, rate	[7]
5816	INT	RD	Wh	Real energy, sum. L1..L3, supplied, rate	[0]
5818	INT	RD	Wh	Real energy, sum. L1..L3, supplied, rate	[1]
5820	INT	RD	Wh	Real energy, sum. L1..L3, supplied, rate	[2]
5822	INT	RD	Wh	Real energy, sum. L1..L3, supplied, rate	[3]
5824	INT	RD	Wh	Real energy, sum. L1..L3, supplied, rate	[4]
5826	INT	RD	Wh	Real energy, sum. L1..L3, supplied, rate	[5]
5828	INT	RD	Wh	Real energy, sum. L1..L3, supplied, rate	[6]
5830	INT	RD	Wh	Real energy, sum. L1..L3, supplied, rate	[7]
5832	INT	RD	varh	Reactive energy, sum. L1..L3, rate	[0]
5834	INT	RD	varh	Reactive energy, sum. L1..L3, rate	[1]
5836	INT	RD	varh	Reactive energy, sum. L1..L3, rate	[2]
5838	INT	RD	varh	Reactive energy, sum. L1..L3, rate	[3]
5840	INT	RD	varh	Reactive energy, sum. L1..L3, rate	[4]
5842	INT	RD	varh	Reactive energy, sum. L1..L3, rate	[5]

Address	Format	RD/WR	Unit	Note	Index
5844	INT	RD	varh	Reactive energy, sum. L1..L3, rate	[6]
5846	INT	RD	varh	Reactive energy, sum. L1..L3, rate	[7]
5848	INT	RD	varh	Reactive energy, sum. L1..L3, ind., rate	[0]
5850	INT	RD	varh	Reactive energy, sum. L1..L3, ind., rate	[1]
5852	INT	RD	varh	Reactive energy, sum. L1..L3, ind., rate	[2]
5854	INT	RD	varh	Reactive energy, sum. L1..L3, ind., rate	[3]
5856	INT	RD	varh	Reactive energy, sum. L1..L3, ind., rate	[4]
5858	INT	RD	varh	Reactive energy, sum. L1..L3, ind., rate	[5]
5860	INT	RD	varh	Reactive energy, sum. L1..L3, ind., rate	[6]
5862	INT	RD	varh	Reactive energy, sum. L1..L3, ind., rate	[7]
5864	INT	RD	varh	Reactive energy, sum. L1..L3, cap., rate	[0]
5866	INT	RD	varh	Reactive energy, sum. L1..L3, cap., rate	[1]
5868	INT	RD	varh	Reactive energy, sum. L1..L3, cap., rate	[2]
5870	INT	RD	varh	Reactive energy, sum. L1..L3, cap., rate	[3]
5872	INT	RD	varh	Reactive energy, sum. L1..L3, cap., rate	[4]
5874	INT	RD	varh	Reactive energy, sum. L1..L3, cap., rate	[5]
5876	INT	RD	varh	Reactive energy, sum. L1..L3, cap., rate	[6]
5878	INT	RD	varh	Reactive energy, sum. L1..L3, cap., rate	[7]
5880	INT	RD	VAh	Apparent energy, sum. L1..L3, rate	[0]
5882	INT	RD	VAh	Apparent energy, sum. L1..L3, rate	[1]
5884	INT	RD	VAh	Apparent energy, sum. L1..L3, rate	[2]
5886	INT	RD	VAh	Apparent energy, sum. L1..L3, rate	[3]
5888	INT	RD	VAh	Apparent energy, sum. L1..L3, rate	[4]
5890	INT	RD	VAh	Apparent energy, sum. L1..L3, rate	[5]
5892	INT	RD	VAh	Apparent energy, sum. L1..L3, rate	[6]
5894	INT	RD	VAh	Apparent energy, sum. L1..L3, rate	[7]
5896	INT	RD	sec	Operation hours meter	
10329	UINT	RD/WR	n	Energy meter (counter, not scaled), impulse input 1	
10331	UINT	RD/WR	n	Energy meter (counter, not scaled), impulse input 2	
10333	UINT	RD/WR	n	Energy meter (counter, not scaled), impulse input 3	

Energy, type float

Address	Format	RD/WR	Unit	Note	Index
5000	FLOAT	RD	Wh	Real energy, L1, rate	[0]
5002	FLOAT	RD	Wh	Real energy, L1, rate	[1]
5004	FLOAT	RD	Wh	Real energy, L1, rate	[2]
5006	FLOAT	RD	Wh	Real energy, L1, rate	[3]
5008	FLOAT	RD	Wh	Real energy, L1, rate	[4]
5010	FLOAT	RD	Wh	Real energy, L1, rate	[5]
5012	FLOAT	RD	Wh	Real energy, L1, rate	[6]
5014	FLOAT	RD	Wh	Real energy, L1, rate	[7]
5016	FLOAT	RD	Wh	Real energy, L1, obtained, rate	[0]
5018	FLOAT	RD	Wh	Real energy, L1, obtained, rate	[1]
5020	FLOAT	RD	Wh	Real energy, L1, obtained, rate	[2]
5022	FLOAT	RD	Wh	Real energy, L1, obtained, rate	[3]
5024	FLOAT	RD	Wh	Real energy, L1, obtained, rate	[4]
5026	FLOAT	RD	Wh	Real energy, L1, obtained, rate	[5]
5028	FLOAT	RD	Wh	Real energy, L1, obtained, rate	[6]
5030	FLOAT	RD	Wh	Real energy, L1, obtained, rate	[7]
5032	FLOAT	RD	Wh	Real energy, L1, supplied, rate	[0]
5034	FLOAT	RD	Wh	Real energy, L1, supplied, rate	[1]
5036	FLOAT	RD	Wh	Real energy, L1, supplied, rate	[2]
5038	FLOAT	RD	Wh	Real energy, L1, supplied, rate	[3]
5040	FLOAT	RD	Wh	Real energy, L1, supplied, rate	[4]
5042	FLOAT	RD	Wh	Real energy, L1, supplied, rate	[5]
5044	FLOAT	RD	Wh	Real energy, L1, supplied, rate	[6]
5046	FLOAT	RD	Wh	Real energy, L1, supplied, rate	[7]
5048	FLOAT	RD	varh	Reactive energy, L1, rate	[0]
5050	FLOAT	RD	varh	Reactive energy, L1, rate	[1]
5052	FLOAT	RD	varh	Reactive energy, L1, rate	[2]
5054	FLOAT	RD	varh	Reactive energy, L1, rate	[3]
5056	FLOAT	RD	varh	Reactive energy, L1, rate	[4]
5058	FLOAT	RD	varh	Reactive energy, L1, rate	[5]
5060	FLOAT	RD	varh	Reactive energy, L1, rate	[6]
5062	FLOAT	RD	varh	Reactive energy, L1, rate	[7]
5064	FLOAT	RD	varh	Reactive energy, L1, ind., rate	[0]
5066	FLOAT	RD	varh	Reactive energy, L1, ind., rate	[1]
5068	FLOAT	RD	varh	Reactive energy, L1, ind., rate	[2]
5070	FLOAT	RD	varh	Reactive energy, L1, ind., rate	[3]
5072	FLOAT	RD	varh	Reactive energy, L1, ind., rate	[4]
5074	FLOAT	RD	varh	Reactive energy, L1, ind., rate	[5]
5076	FLOAT	RD	varh	Reactive energy, L1, ind., rate	[6]
5078	FLOAT	RD	varh	Reactive energy, L1, ind., rate	[7]
5080	FLOAT	RD	varh	Reactive energy, L1, cap., rate	[0]
5082	FLOAT	RD	varh	Reactive energy, L1, cap., rate	[1]
5084	FLOAT	RD	varh	Reactive energy, L1, cap., rate	[2]
5086	FLOAT	RD	varh	Reactive energy, L1, cap., rate	[3]
5088	FLOAT	RD	varh	Reactive energy, L1, cap., rate	[4]
5090	FLOAT	RD	varh	Reactive energy, L1, cap., rate	[5]
5092	FLOAT	RD	varh	Reactive energy, L1, cap., rate	[6]
5094	FLOAT	RD	varh	Reactive energy, L1, cap., rate	[7]
5096	FLOAT	RD	VAh	Apparent energy, L1, rate	[0]
5098	FLOAT	RD	VAh	Apparent energy, L1, rate	[1]
5100	FLOAT	RD	VAh	Apparent energy, L1, rate	[2]
5102	FLOAT	RD	VAh	Apparent energy, L1, rate	[3]
5104	FLOAT	RD	VAh	Apparent energy, L1, rate	[4]
5106	FLOAT	RD	VAh	Apparent energy, L1, rate	[5]
5108	FLOAT	RD	VAh	Apparent energy, L1, rate	[6]
5110	FLOAT	RD	VAh	Apparent energy, L1, rate	[7]
5112	FLOAT	RD	Wh	Real energy, L2, rate	[0]
5114	FLOAT	RD	Wh	Real energy, L2, rate	[1]
5116	FLOAT	RD	Wh	Real energy, L2, rate	[2]
5118	FLOAT	RD	Wh	Real energy, L2, rate	[3]
5120	FLOAT	RD	Wh	Real energy, L2, rate	[4]
5122	FLOAT	RD	Wh	Real energy, L2, rate	[5]
5124	FLOAT	RD	Wh	Real energy, L2, rate	[6]
5126	FLOAT	RD	Wh	Real energy, L2, rate	[7]
5128	FLOAT	RD	Wh	Real energy, L2, obtained, rate	[0]
5130	FLOAT	RD	Wh	Real energy, L2, obtained, rate	[1]

Address	Format	RD/WR	Unit	Note	Index
5132	FLOAT	RD	Wh	Real energy, L2, obtained, rate	[2]
5134	FLOAT	RD	Wh	Real energy, L2, obtained, rate	[3]
5136	FLOAT	RD	Wh	Real energy, L2, obtained, rate	[4]
5138	FLOAT	RD	Wh	Real energy, L2, obtained, rate	[5]
5140	FLOAT	RD	Wh	Real energy, L2, obtained, rate	[6]
5142	FLOAT	RD	Wh	Real energy, L2, obtained, rate	[7]
5144	FLOAT	RD	Wh	Real energy, L2, supplied, rate	[0]
5146	FLOAT	RD	Wh	Real energy, L2, supplied, rate	[1]
5148	FLOAT	RD	Wh	Real energy, L2, supplied, rate	[2]
5150	FLOAT	RD	Wh	Real energy, L2, supplied, rate	[3]
5152	FLOAT	RD	Wh	Real energy, L2, supplied, rate	[4]
5154	FLOAT	RD	Wh	Real energy, L2, supplied, rate	[5]
5156	FLOAT	RD	Wh	Real energy, L2, supplied, rate	[6]
5158	FLOAT	RD	Wh	Real energy, L2, supplied, rate	[7]
5160	FLOAT	RD	varh	Reactive energy, L2, rate	[0]
5162	FLOAT	RD	varh	Reactive energy, L2, rate	[1]
5164	FLOAT	RD	varh	Reactive energy, L2, rate	[2]
5166	FLOAT	RD	varh	Reactive energy, L2, rate	[3]
5168	FLOAT	RD	varh	Reactive energy, L2, rate	[4]
5170	FLOAT	RD	varh	Reactive energy, L2, rate	[5]
5172	FLOAT	RD	varh	Reactive energy, L2, rate	[6]
5174	FLOAT	RD	varh	Reactive energy, L2, rate	[7]
5176	FLOAT	RD	varh	Reactive energy, L2, ind., rate	[0]
5178	FLOAT	RD	varh	Reactive energy, L2, ind., rate	[1]
5180	FLOAT	RD	varh	Reactive energy, L2, ind., rate	[2]
5182	FLOAT	RD	varh	Reactive energy, L2, ind., rate	[3]
5184	FLOAT	RD	varh	Reactive energy, L2, ind., rate	[4]
5186	FLOAT	RD	varh	Reactive energy, L2, ind., rate	[5]
5188	FLOAT	RD	varh	Reactive energy, L2, ind., rate	[6]
5190	FLOAT	RD	varh	Reactive energy, L2, ind., rate	[7]
5192	FLOAT	RD	varh	Reactive energy, L2, cap., rate	[0]
5194	FLOAT	RD	varh	Reactive energy, L2, cap., rate	[1]
5196	FLOAT	RD	varh	Reactive energy, L2, cap., rate	[2]
5198	FLOAT	RD	varh	Reactive energy, L2, cap., rate	[3]
5200	FLOAT	RD	varh	Reactive energy, L2, cap., rate	[4]
5202	FLOAT	RD	varh	Reactive energy, L2, cap., rate	[5]
5204	FLOAT	RD	varh	Reactive energy, L2, cap., rate	[6]
5206	FLOAT	RD	varh	Reactive energy, L2, cap., rate	[7]
5208	FLOAT	RD	VAh	Apparent energy, L2, rate	[0]
5210	FLOAT	RD	VAh	Apparent energy, L2, rate	[1]
5212	FLOAT	RD	VAh	Apparent energy, L2, rate	[2]
5214	FLOAT	RD	VAh	Apparent energy, L2, rate	[3]
5216	FLOAT	RD	VAh	Apparent energy, L2, rate	[4]
5218	FLOAT	RD	VAh	Apparent energy, L2, rate	[5]
5220	FLOAT	RD	VAh	Apparent energy, L2, rate	[6]
5222	FLOAT	RD	VAh	Apparent energy, L2, rate	[7]
5224	FLOAT	RD	Wh	Real energy, L3, rate	[0]
5226	FLOAT	RD	Wh	Real energy, L3, rate	[1]
5228	FLOAT	RD	Wh	Real energy, L3, rate	[2]
5230	FLOAT	RD	Wh	Real energy, L3, rate	[3]
5232	FLOAT	RD	Wh	Real energy, L3, rate	[4]
5234	FLOAT	RD	Wh	Real energy, L3, rate	[5]
5236	FLOAT	RD	Wh	Real energy, L3, rate	[6]
5238	FLOAT	RD	Wh	Real energy, L3, rate	[7]
5240	FLOAT	RD	Wh	Real energy, L3, obtained, rate	[0]
5242	FLOAT	RD	Wh	Real energy, L3, obtained, rate	[1]
5244	FLOAT	RD	Wh	Real energy, L3, obtained, rate	[2]
5246	FLOAT	RD	Wh	Real energy, L3, obtained, rate	[3]
5248	FLOAT	RD	Wh	Real energy, L3, obtained, rate	[4]
5250	FLOAT	RD	Wh	Real energy, L3, obtained, rate	[5]
5252	FLOAT	RD	Wh	Real energy, L3, obtained, rate	[6]
5254	FLOAT	RD	Wh	Real energy, L3, obtained, rate	[7]
5256	FLOAT	RD	Wh	Real energy, L3, supplied, rate	[0]
5258	FLOAT	RD	Wh	Real energy, L3, supplied, rate	[1]
5260	FLOAT	RD	Wh	Real energy, L3, supplied, rate	[2]
5262	FLOAT	RD	Wh	Real energy, L3, supplied, rate	[3]

Address	Format	RD/WR	Unit	Note	Index
5264	FLOAT	RD	Wh	Real energy, L3, supplied, rate	[4]
5266	FLOAT	RD	Wh	Real energy, L3, supplied, rate	[5]
5268	FLOAT	RD	Wh	Real energy, L3, supplied, rate	[6]
5270	FLOAT	RD	Wh	Real energy, L3, supplied, rate	[7]
5272	FLOAT	RD	varh	Reactive energy, L3, rate	[0]
5274	FLOAT	RD	varh	Reactive energy, L3, rate	[1]
5276	FLOAT	RD	varh	Reactive energy, L3, rate	[2]
5278	FLOAT	RD	varh	Reactive energy, L3, rate	[3]
5280	FLOAT	RD	varh	Reactive energy, L3, rate	[4]
5282	FLOAT	RD	varh	Reactive energy, L3, rate	[5]
5284	FLOAT	RD	varh	Reactive energy, L3, rate	[6]
5286	FLOAT	RD	varh	Reactive energy, L3, rate	[7]
5288	FLOAT	RD	varh	Reactive energy, L3, ind., rate	[0]
5290	FLOAT	RD	varh	Reactive energy, L3, ind., rate	[1]
5292	FLOAT	RD	varh	Reactive energy, L3, ind., rate	[2]
5294	FLOAT	RD	varh	Reactive energy, L3, ind., rate	[3]
5296	FLOAT	RD	varh	Reactive energy, L3, ind., rate	[4]
5298	FLOAT	RD	varh	Reactive energy, L3, ind., rate	[5]
5300	FLOAT	RD	varh	Reactive energy, L3, ind., rate	[6]
5302	FLOAT	RD	varh	Reactive energy, L3, ind., rate	[7]
5304	FLOAT	RD	varh	Reactive energy, L3, cap., rate	[0]
5306	FLOAT	RD	varh	Reactive energy, L3, cap., rate	[1]
5308	FLOAT	RD	varh	Reactive energy, L3, cap., rate	[2]
5310	FLOAT	RD	varh	Reactive energy, L3, cap., rate	[3]
5312	FLOAT	RD	varh	Reactive energy, L3, cap., rate	[4]
5314	FLOAT	RD	varh	Reactive energy, L3, cap., rate	[5]
5316	FLOAT	RD	varh	Reactive energy, L3, cap., rate	[6]
5318	FLOAT	RD	varh	Reactive energy, L3, cap., rate	[7]
5320	FLOAT	RD	VAh	Apparent energy, L3, rate	[0]
5322	FLOAT	RD	VAh	Apparent energy, L3, rate	[1]
5324	FLOAT	RD	VAh	Apparent energy, L3, rate	[2]
5326	FLOAT	RD	VAh	Apparent energy, L3, rate	[3]
5328	FLOAT	RD	VAh	Apparent energy, L3, rate	[4]
5330	FLOAT	RD	VAh	Apparent energy, L3, rate	[5]
5332	FLOAT	RD	VAh	Apparent energy, L3, rate	[6]
5334	FLOAT	RD	VAh	Apparent energy, L3, rate	[7]
5336	FLOAT	RD	Wh	Real energy, sum. L1..L3, rate	[0]
5338	FLOAT	RD	Wh	Real energy, sum. L1..L3, rate	[1]
5340	FLOAT	RD	Wh	Real energy, sum. L1..L3, rate	[2]
5342	FLOAT	RD	Wh	Real energy, sum. L1..L3, rate	[3]
5344	FLOAT	RD	Wh	Real energy, sum. L1..L3, rate	[4]
5346	FLOAT	RD	Wh	Real energy, sum. L1..L3, rate	[5]
5348	FLOAT	RD	Wh	Real energy, sum. L1..L3, rate	[6]
5350	FLOAT	RD	Wh	Real energy, sum. L1..L3, rate	[7]
5352	FLOAT	RD	Wh	Real energy, sum. L1..L3, obtained, rate	[0]
5354	FLOAT	RD	Wh	Real energy, sum. L1..L3, obtained, rate	[1]
5356	FLOAT	RD	Wh	Real energy, sum. L1..L3, obtained, rate	[2]
5358	FLOAT	RD	Wh	Real energy, sum. L1..L3, obtained, rate	[3]
5360	FLOAT	RD	Wh	Real energy, sum. L1..L3, obtained, rate	[4]
5362	FLOAT	RD	Wh	Real energy, sum. L1..L3, obtained, rate	[5]
5364	FLOAT	RD	Wh	Real energy, sum. L1..L3, obtained, rate	[6]
5366	FLOAT	RD	Wh	Real energy, sum. L1..L3, obtained, rate	[7]
5368	FLOAT	RD	Wh	Real energy, sum. L1..L3, supplied, rate	[0]
5370	FLOAT	RD	Wh	Real energy, sum. L1..L3, supplied, rate	[1]
5372	FLOAT	RD	Wh	Real energy, sum. L1..L3, supplied, rate	[2]
5374	FLOAT	RD	Wh	Real energy, sum. L1..L3, supplied, rate	[3]
5376	FLOAT	RD	Wh	Real energy, sum. L1..L3, supplied, rate	[4]
5378	FLOAT	RD	Wh	Real energy, sum. L1..L3, supplied, rate	[5]
5380	FLOAT	RD	Wh	Real energy, sum. L1..L3, supplied, rate	[6]
5382	FLOAT	RD	Wh	Real energy, sum. L1..L3, supplied, rate	[7]
5384	FLOAT	RD	varh	Reactive energy, sum. L1..L3, rate	[0]
5386	FLOAT	RD	varh	Reactive energy, sum. L1..L3, rate	[1]
5388	FLOAT	RD	varh	Reactive energy, sum. L1..L3, rate	[2]
5390	FLOAT	RD	varh	Reactive energy, sum. L1..L3, rate	[3]
5392	FLOAT	RD	varh	Reactive energy, sum. L1..L3, rate	[4]
5394	FLOAT	RD	varh	Reactive energy, sum. L1..L3, rate	[5]

Address	Format	RD/WR	Unit	Note	Index
5396	FLOAT	RD	varh	Reactive energy, sum. L1..L3, rate	[6]
5398	FLOAT	RD	varh	Reactive energy, sum. L1..L3, rate	[7]
5400	FLOAT	RD	varh	Reactive energy, sum. L1..L3, ind., rate	[0]
5402	FLOAT	RD	varh	Reactive energy, sum. L1..L3, ind., rate	[1]
5404	FLOAT	RD	varh	Reactive energy, sum. L1..L3, ind., rate	[2]
5406	FLOAT	RD	varh	Reactive energy, sum. L1..L3, ind., rate	[3]
5408	FLOAT	RD	varh	Reactive energy, sum. L1..L3, ind., rate	[4]
5410	FLOAT	RD	varh	Reactive energy, sum. L1..L3, ind., rate	[5]
5412	FLOAT	RD	varh	Reactive energy, sum. L1..L3, ind., rate	[6]
5414	FLOAT	RD	varh	Reactive energy, sum. L1..L3, ind., rate	[7]
5416	FLOAT	RD	varh	Reactive energy, sum. L1..L3, cap., rate	[0]
5418	FLOAT	RD	varh	Reactive energy, sum. L1..L3, cap., rate	[1]
5420	FLOAT	RD	varh	Reactive energy, sum. L1..L3, cap., rate	[2]
5422	FLOAT	RD	varh	Reactive energy, sum. L1..L3, cap., rate	[3]
5424	FLOAT	RD	varh	Reactive energy, sum. L1..L3, cap., rate	[4]
5426	FLOAT	RD	varh	Reactive energy, sum. L1..L3, cap., rate	[5]
5428	FLOAT	RD	varh	Reactive energy, sum. L1..L3, cap., rate	[6]
5430	FLOAT	RD	varh	Reactive energy, sum. L1..L3, cap., rate	[7]
5432	FLOAT	RD	VAh	Apparent energy, sum. L1..L3, rate	[0]
5434	FLOAT	RD	VAh	Apparent energy, sum. L1..L3, rate	[1]
5436	FLOAT	RD	VAh	Apparent energy, sum. L1..L3, rate	[2]
5438	FLOAT	RD	VAh	Apparent energy, sum. L1..L3, rate	[3]
5440	FLOAT	RD	VAh	Apparent energy, sum. L1..L3, rate	[4]
5442	FLOAT	RD	VAh	Apparent energy, sum. L1..L3, rate	[5]
5444	FLOAT	RD	VAh	Apparent energy, sum. L1..L3, rate	[6]
5446	FLOAT	RD	VAh	Apparent energy, sum. L1..L3, rate	[7]
11475	FLOAT	RD/WR	VAh	Apparent energy, month high, jan., even year	
11477	FLOAT	RD/WR	VAh	Apparent energy, month high, feb., even year	
11479	FLOAT	RD/WR	VAh	Apparent energy, month high, march, even year	
11481	FLOAT	RD/WR	VAh	Apparent energy, month high, april, even year	
11483	FLOAT	RD/WR	VAh	Apparent energy, month high, may, even year	
11485	FLOAT	RD/WR	VAh	Apparent energy, month high, june, even year	
11487	FLOAT	RD/WR	VAh	Apparent energy, month high, july, even year	
11489	FLOAT	RD/WR	VAh	Apparent energy, month high, aug., even year	
11491	FLOAT	RD/WR	VAh	Apparent energy, month high, sep., even year	
11493	FLOAT	RD/WR	VAh	Apparent energy, month high, oct., even year	
11495	FLOAT	RD/WR	VAh	Apparent energy, month high, nov., even year	
11497	FLOAT	RD/WR	VAh	Apparent energy, month high, dec., even year	
11499	FLOAT	RD/WR	VAh	Apparent energy, month high, jan., uneven year	
11501	FLOAT	RD/WR	VAh	Apparent energy, month high, feb., uneven year	
11503	FLOAT	RD/WR	VAh	Apparent energy, month high, march, uneven year	
11505	FLOAT	RD/WR	VAh	Apparent energy, month high, april, uneven year	
11507	FLOAT	RD/WR	VAh	Apparent energy, month high, may, uneven year	
11509	FLOAT	RD/WR	VAh	Apparent energy, month high, june, uneven year	
11511	FLOAT	RD/WR	VAh	Apparent energy, month high, july, uneven year	
11513	FLOAT	RD/WR	VAh	Apparent energy, month high, aug., uneven year	
11515	FLOAT	RD/WR	VAh	Apparent energy, month high, sep., uneven year	
11517	FLOAT	RD/WR	VAh	Apparent energy, month high, oct., uneven year	
11519	FLOAT	RD/WR	VAh	Apparent energy, month high, nov., uneven year	
11521	FLOAT	RD/WR	VAh	Apparent energy, month high, dec., uneven year	
11523	FLOAT	RD/WR	Wh	Real energy, month high, jan., even year	
11525	FLOAT	RD/WR	Wh	Real energy, month high, feb., even year	
11527	FLOAT	RD/WR	Wh	Real energy, month high, march, even year	
11529	FLOAT	RD/WR	Wh	Real energy, month high, april, even year	
11531	FLOAT	RD/WR	Wh	Real energy, month high, may, even year	
11533	FLOAT	RD/WR	Wh	Real energy, month high, june, even year	
11535	FLOAT	RD/WR	Wh	Real energy, month high, july, even year	
11537	FLOAT	RD/WR	Wh	Real energy, month high, aug., even year	
11539	FLOAT	RD/WR	Wh	Real energy, month high, sep., even year	
11541	FLOAT	RD/WR	Wh	Real energy, month high, oct., even year	
11543	FLOAT	RD/WR	Wh	Real energy, month high, nov., even year	
11545	FLOAT	RD/WR	Wh	Real energy, month high, dec., even year	
11547	FLOAT	RD/WR	Wh	Real energy, month high, jan., uneven year	
11549	FLOAT	RD/WR	Wh	Real energy, month high, feb., uneven year	
11551	FLOAT	RD/WR	Wh	Real energy, month high, march, uneven year	

Address	Format	RD/WR	Unit	Note	Index
11553	FLOAT	RD/WR	Wh	Real energy, month high, april, uneven year	
11555	FLOAT	RD/WR	Wh	Real energy, month high, may, uneven year	
11557	FLOAT	RD/WR	Wh	Real energy, month high, june, uneven year	
11559	FLOAT	RD/WR	Wh	Real energy, month high, july, uneven year	
11561	FLOAT	RD/WR	Wh	Real energy, month high, aug., uneven year	
11563	FLOAT	RD/WR	Wh	Real energy, month high, sep., uneven year	
11565	FLOAT	RD/WR	Wh	Real energy, month high, oct., uneven year	
11567	FLOAT	RD/WR	Wh	Real energy, month high, nov., uneven year	
11569	FLOAT	RD/WR	Wh	Real energy, month high, dec., uneven year	
11571	FLOAT	RD/WR	varh	Reactive energy, month high, jan., even year	
11573	FLOAT	RD/WR	varh	Reactive energy, month high, feb., even year	
11575	FLOAT	RD/WR	varh	Reactive energy, month high, march, even year	
11577	FLOAT	RD/WR	varh	Reactive energy, month high, april, even year	
11579	FLOAT	RD/WR	varh	Reactive energy, month high, may, even year	
11581	FLOAT	RD/WR	varh	Reactive energy, month high, june, even year	
11583	FLOAT	RD/WR	varh	Reactive energy, month high, july, even year	
11585	FLOAT	RD/WR	varh	Reactive energy, month high, aug., even year	
11587	FLOAT	RD/WR	varh	Reactive energy, month high, sep., even year	
11589	FLOAT	RD/WR	varh	Reactive energy, month high, oct., even year	
11591	FLOAT	RD/WR	varh	Reactive energy, month high, nov., even year	
11593	FLOAT	RD/WR	varh	Reactive energy, month high, dec., even year	
11595	FLOAT	RD/WR	varh	Reactive energy, month high, jan., uneven year	
11597	FLOAT	RD/WR	varh	Reactive energy, month high, feb., even year	
11599	FLOAT	RD/WR	varh	Reactive energy, month high, march, even year	
11601	FLOAT	RD/WR	varh	Reactive energy, month high, april, even year	
11603	FLOAT	RD/WR	varh	Reactive energy, month high, may, even year	
11605	FLOAT	RD/WR	varh	Reactive energy, month high, june, even year	
11607	FLOAT	RD/WR	varh	Reactive energy, month high, july, even year	
11609	FLOAT	RD/WR	varh	Reactive energy, month high, aug, even year	
11611	FLOAT	RD/WR	varh	Reactive energy, month high, sep., even year	
11613	FLOAT	RD/WR	varh	Reactive energy, month high, oct., even year	
11615	FLOAT	RD/WR	varh	Reactive energy, month high, nov., even year	
11617	FLOAT	RD/WR	varh	Reactive energy, month high, dec., even year	

Address	Format	RD/WR	Unit	Note	Index
---------	--------	-------	------	------	-------

Peak indicator (drag indicator)

Address	Format	RD/WR	Unit	Note	Index
5974	FLOAT	RD		Current I L1; highest value	
5976	FLOAT	RD		Current I L2; highest value	
5978	FLOAT	RD		Current I L3; highest value	
5986	FLOAT	RD		Apparent power S1 L1N; highest value	
5988	FLOAT	RD		Apparent power S2 L2N; highest value	
5990	FLOAT	RD		Apparent power S3 L3N; highest value	
5992	FLOAT	RD		Apparent power; Sum; Ssum3=S1+S2+S3; highest value	
6002	FLOAT	RD		Real power P1 L1N (positiv); highest value	
6004	FLOAT	RD		Real power P2 L2N (positiv); highest value	
6006	FLOAT	RD		Real power P3 L3N (positiv); highest value	
6008	FLOAT	RD		Real power (positiv); Sum; Psum3=P1+P2+P3; highest value	
6018	FLOAT	RD		Real power P1 L1N (negative); highest value	
6020	FLOAT	RD		Real power P2 L2N (negative); highest value	
6022	FLOAT	RD		Real power P3 L3N (negative); highest value	
6024	FLOAT	RD		Real power (negative) Sum; Psum3=P1+P2+P3; highest value	
6034	FLOAT	RD		Current I L1; second highest value	
6036	FLOAT	RD		Current I L2; second highest value	
6038	FLOAT	RD		Current I L3; second highest value	
6046	FLOAT	RD		Apparent power S1 L1N; second highest value	
6048	FLOAT	RD		Apparent power S2 L2N; second highest value	
6050	FLOAT	RD		Apparent power S3 L3N; second highest value	
6052	FLOAT	RD		Apparent power; Sum; Ssum3=S1+S2+S3; second highest value	
6062	FLOAT	RD		Real power P1 L1N (positiv); second highest value	
6064	FLOAT	RD		Real power P2 L2N (positiv); second highest value	
6066	FLOAT	RD		Real power P3 L3N (positiv); second highest value	
6068	FLOAT	RD		Real power (positiv); Sum; Psum3=P1+P2+P3; second highest value	
6078	FLOAT	RD		Real power P1 L1N (negative); second highest value	
6080	FLOAT	RD		Real power P2 L2N (negative); second highest value	
6082	FLOAT	RD		Real power P3 L3N (negative); second highest value	
6084	FLOAT	RD		Real power (negative) Sum; Psum3=P1+P2+P3; second highest value	
6094	FLOAT	RD		Current I L1; third highest value	
6096	FLOAT	RD		Current I L2; third highest value	
6098	FLOAT	RD		Current I L3; third highest value	
6106	FLOAT	RD		Apparent power S1 L1N; third highest value	
6108	FLOAT	RD		Apparent power S2 L2N; third highest value	
6110	FLOAT	RD		Apparent power S3 L3N; third highest value	
6112	FLOAT	RD		Apparent power; Sum; Ssum3=S1+S2+S3; third highest value	
6122	FLOAT	RD		Real power P1 L1N (positiv); third highest value	
6124	FLOAT	RD		Real power P2 L2N (positiv); third highest value	
6126	FLOAT	RD		Real power P3 L3N (positiv); third highest value	
6128	FLOAT	RD		Real power (positiv); Sum; Psum3=P1+P2+P3; third highest value	
6138	FLOAT	RD		Real power P1 L1N (negative); third highest value	
6140	FLOAT	RD		Real power P2 L2N (negative); third highest value	
6142	FLOAT	RD		Real power P3 L3N (negative); third highest value	
6144	FLOAT	RD		Real power (negative) Sum; Psum3=P1+P2+P3; third highest value	
5980	UINT	RD		Time of Current I L1; highest value	
5982	UINT	RD		Time of Current I L2; highest value	
5984	UINT	RD		Time of Current I L3; highest value	
5994	UINT	RD		Time of Apparent power S1 L1N; highest value	
5996	UINT	RD		Time of Apparent power S2 L2N; highest value	
5998	UINT	RD		Time of Apparent power S3 L3N; highest value	
6000	UINT	RD		Time of Apparent power; Sum; Ssum3=S1+S2+S3; highest value	
6010	UINT	RD		Time of Real power P1 L1N (positiv); highest value	
6012	UINT	RD		Time of Real power P2 L2N (positiv); highest value	
6014	UINT	RD		Time of Real power P3 L3N (positiv); highest value	
6016	UINT	RD		Time of Real power (positiv); Sum; Psum3=P1+P2+P3; highest value	
6026	UINT	RD		Time of Real power P1 L1N (negative); highest value	
6028	UINT	RD		Time of Real power P2 L2N (negative); highest value	
6030	UINT	RD		Time of Real power P3 L3N (negative); highest value	
6032	UINT	RD		Time of Real power (negative) Sum; Psum3=P1+P2+P3; highest value	
6040	UINT	RD		Time of Current I L1; second highest value	
6042	UINT	RD		Time of Current I L2; second highest value	

Address	Format	RD/WR	Unit	Note	Index
6044	UINT	RD		Time of Current I L3; second highest value	
6054	UINT	RD		Time of Apparent power S1 L1N; second highest value	
6056	UINT	RD		Time of Apparent power S2 L2N; second highest value	
6058	UINT	RD		Time of Apparent power S3 L3N; second highest value	
6060	UINT	RD		Time of Apparent power; Sum; Ssum3=S1+S2+S3; second highest value	
6070	UINT	RD		Time of Real power P1 L1N (positiv); second highest value	
6072	UINT	RD		Time of Real power P2 L2N (positiv); second highest value	
6074	UINT	RD		Time of Real power P3 L3N (positiv); second highest value	
6076	UINT	RD		Time of Real power (positiv); Sum; Psum3=P1+P2+P3; second highest value	
6086	UINT	RD		Time of Real power P1 L1N (negative); second highest value	
6088	UINT	RD		Time of Real power P2 L2N (negative); second highest value	
6090	UINT	RD		Time of Real power P3 L3N (negative); second highest value	
6092	UINT	RD		Time of Real power (negative) Sum; Psum3=P1+P2+P3; second highest value	
6100	UINT	RD		Time of Current I L1; third highest value	
6102	UINT	RD		Time of Current I L2; third highest value	
6104	UINT	RD		Time of Current I L3; third highest value	
6114	UINT	RD		Time of Apparent power S1 L1N; third highest value	
6116	UINT	RD		Time of Apparent power S2 L2N; third highest value	
6118	UINT	RD		Time of Apparent power S3 L3N; third highest value	
6120	UINT	RD		Time of Apparent power; Sum; Ssum3=S1+S2+S3; third highest value	
6130	UINT	RD		Time of Real power P1 L1N (positiv); third highest value	
6132	UINT	RD		Time of Real power P2 L2N (positiv); third highest value	
6134	UINT	RD		Time of Real power P3 L3N (positiv); third highest value	
6136	UINT	RD		Time of Real power (positiv); Sum; Psum3=P1+P2+P3; third highest value	
6146	UINT	RD		Time of Real power P1 L1N (negative); third highest value	
6148	UINT	RD		Time of Real power P2 L2N (negative); third highest value	
6150	UINT	RD		Time of Real power P3 L3N (negative); third highest value	
6152	UINT	RD		Time of Real power (negative) Sum; Psum3=P1+P2+P3; third highest value	

Other values

Address	Format	RD/WR	Unit	Note	Index
11623	SHORT			I5: residual current transformer connection (AC only) 0 = no error, 1 = connection error	
11624	SHORT			I6: residual current transformer connection (AC only) 0 = no error, 1 = connection error	
20000	SHORT			Calib key	
20006	FLOAT		A	TDD full load current L4	
20981	SHORT		s	_COMP_DIFF_TYPE0	
20982	SHORT		s	_COMP_DIFF_REF_ADDR0	
20983	FLOAT		s	_COMP_DIFF_PER_DEV0	
20985	SHORT		s	_COMP_DIFF_DEV_CNT0	
20986	FLOAT		s	_COMP_DIFF_CUR_PER0	
20988	FLOAT		s	_COMP_DIFF_CUR_OFFSET0	
20990	FLOAT		s	_COMP_DIFF_TOLERANCE0	
20992	FLOAT		s	_COMP_DIFF_WARNLEVEL0	
20994	FLOAT		s	_COMP_DIFF_CUR_THRESHOLD0	[0]
20996	FLOAT		s	_COMP_DIFF_CUR_THRESHOLD0	[1]
20998	FLOAT		s	_COMP_DIFF_CUR_THRESHOLD0	[2]
21000	FLOAT		s	_COMP_DIFF_CUR_THRESHOLD0	[3]
21002	FLOAT		s	_COMP_DIFF_CUR_THRESHOLD0	[4]
21004	FLOAT		s	_COMP_DIFF_CUR_THRESHOLD0	[5]
21006	FLOAT		s	_COMP_DIFF_CUR_THRESHOLD0	[6]
21008	FLOAT		s	_COMP_DIFF_CUR_THRESHOLD0	[7]
21010	FLOAT		s	_COMP_DIFF_CUR_THRESHOLD0	[8]
21012	FLOAT		s	_COMP_DIFF_CUR_THRESHOLD0	[9]
21014	FLOAT		s	_COMP_DIFF_STEPS0	[0]
21016	FLOAT		s	_COMP_DIFF_STEPS0	[1]
21018	FLOAT		s	_COMP_DIFF_STEPS0	[2]
21020	FLOAT		s	_COMP_DIFF_STEPS0	[3]
21022	FLOAT		s	_COMP_DIFF_STEPS0	[4]
21024	FLOAT		s	_COMP_DIFF_STEPS0	[5]
21026	FLOAT		s	_COMP_DIFF_STEPS0	[6]
21028	FLOAT		s	_COMP_DIFF_STEPS0	[7]
21030	FLOAT		s	_COMP_DIFF_STEPS0	[8]
21032	FLOAT		s	_COMP_DIFF_STEPS0	[9]
21034	FLOAT		s	_COMP_DIFF_CUR_THRESHOLD0	
21036	FLOAT		s	_COMP_DIFF_MIN_TIME0	
21038	SHORT		s	_COMP_DIFF_TYPE1	
21039	SHORT		s	_COMP_DIFF_REF_ADDR1	
21040	FLOAT		s	_COMP_DIFF_PER_DEV1	
21042	SHORT		s	_COMP_DIFF_DEV_CNT1	
21043	FLOAT		s	_COMP_DIFF_CUR_PER1	
21045	FLOAT		s	_COMP_DIFF_CUR_OFFSET1	
21047	FLOAT		s	_COMP_DIFF_TOLERANCE1	
21049	FLOAT		s	_COMP_DIFF_WARNLEVEL1	
21051	FLOAT		s	_COMP_DIFF_CUR_THRESHOLD1	[0]
21053	FLOAT		s	_COMP_DIFF_CUR_THRESHOLD1	[1]
21055	FLOAT		s	_COMP_DIFF_CUR_THRESHOLD1	[2]
21057	FLOAT		s	_COMP_DIFF_CUR_THRESHOLD1	[3]
21059	FLOAT		s	_COMP_DIFF_CUR_THRESHOLD1	[4]
21061	FLOAT		s	_COMP_DIFF_CUR_THRESHOLD1	[5]
21063	FLOAT		s	_COMP_DIFF_CUR_THRESHOLD1	[6]
21065	FLOAT		s	_COMP_DIFF_CUR_THRESHOLD1	[7]
21067	FLOAT		s	_COMP_DIFF_CUR_THRESHOLD1	[8]
21069	FLOAT		s	_COMP_DIFF_CUR_THRESHOLD1	[9]
21071	FLOAT		s	_COMP_DIFF_STEPS1	[0]
21073	FLOAT		s	_COMP_DIFF_STEPS1	[1]
21075	FLOAT		s	_COMP_DIFF_STEPS1	[2]
21077	FLOAT		s	_COMP_DIFF_STEPS1	[3]
21079	FLOAT		s	_COMP_DIFF_STEPS1	[4]
21081	FLOAT		s	_COMP_DIFF_STEPS1	[5]
21083	FLOAT		s	_COMP_DIFF_STEPS1	[6]
21085	FLOAT		s	_COMP_DIFF_STEPS1	[7]
21087	FLOAT		s	_COMP_DIFF_STEPS1	[8]

Address	Format	RD/WR	Unit	Note	Index
21089	FLOAT		s	_COMP_DIFF_STEPS1	[9]
21091	FLOAT		s	_COMP_DIFF_CUR_THRESHOLD1	
21093	FLOAT		s	_COMP_DIFF_MIN_TIME1	
21095	SHORT			_COMP_DIFF_STATUS0 Alarm status for I5 with: Bit 0 = 1: Warning Bit 1 = 1: Overcurrent Bit 2 = 1: Alarm Bit 3 = 1: CT not connected	
21096	SHORT			_COMP_DIFF_STATUS1 Alarm status for I6 with: Bit 0 = 1: Warning Bit 1 = 1: Overcurrent Bit 2 = 1: Alarm Bit 3 = 1: CT not connected	
21097	FLOAT		s	_COMP_DIFF_RUN_TIME0 (overcurrent duration diff0)	
21099	FLOAT		s	_COMP_DIFF_RUN_TIME1 (overcurrent duration diff0)	
21101	FLOAT		s	_COMP_DIFF_LIMIT0 (Real Threshold Diff 0)	
21103	FLOAT		s	_COMP_DIFF_LIMIT1 (Real Threshold Diff 1)	
21105	SHORT		s	_EVENT_COMP_EXCEED_TIME (Minimal event time before signaling)	
21106	FLOAT			Upper limit event comparators (U1-U3,I1-I4,Diff1/2)	[0]
21108	FLOAT			Upper limit event comparators (U1-U3,I1-I4,Diff1/2)	[1]
21110	FLOAT			Upper limit event comparators (U1-U3,I1-I4,Diff1/2)	[2]
21112	FLOAT			Upper limit event comparators (U1-U3,I1-I4,Diff1/2)	[3]
21114	FLOAT			Upper limit event comparators (U1-U3,I1-I4,Diff1/2)	[4]
21116	FLOAT			Upper limit event comparators (U1-U3,I1-I4,Diff1/2)	[5]
21118	FLOAT			Upper limit event comparators (U1-U3,I1-I4,Diff1/2)	[6]
21120	FLOAT			Upper limit event comparators (U1-U3,I1-I4,Diff1/2)	[7]
21122	FLOAT			Upper limit event comparators (U1-U3,I1-I4,Diff1/2)	[8]
21124	FLOAT			Lower limit event comparators (U1-U3)	[0]
21126	FLOAT			Lower limit event comparators (U1-U3)	[1]
21128	FLOAT			Lower limit event comparators (U1-U3)	[2]
21130	INT			Bitwise event comparator output	
21196	INT			1 = Delete all recordings	
21198	custom			Read recordings (func 23)	
21200	INT			1 = Delete all event recordings	
21202	custom			Read events (func 23)	
21204	SHORT			_RTC_STATUS	
21205	SHORT			Release	
21213	DOUBLE		ms	_DATA_STIME	
21217	DOUBLE		ms	_DATA_ETIME	
21245	SHORT			Select type of differential input measurement	[0]
21246	SHORT			Select type of differential input measurement	[1]
21247	SHORT		v	Differential input gain: 0(5), 1(22), 2(52), 3(64)	[0]
21248	SHORT		v	Differential input gain: 0(5), 1(22), 2(52), 3(64)	[1]
21249	SHORT			Thermoelement configuration	
21250	SHORT			Thermoelement configuration	
21251	SHORT			Key1	
21252	SHORT			Key2	
21253	LONG64			Realtime (2ns)	
21257	SHORT			Boot release	
21258	FLOAT			Offset for thermoelement measurements 1	
21260	FLOAT			Offset for thermoelement measurements 2	
21262	USHORT			_BASE_RELEASE	Firmware release of the basic board
25418	SHORT			_RESET	
25500	STRING			_DEV_NAME	
25532	STRING			_DEV_DESC	
25596	INT			System Uptime	
25598	FLOAT			SNMP User Variables 0	
25600	FLOAT			SNMP User Variables 1	

Address	Format	RD/WR	Unit	Note	Index
25602	FLOAT			SNMP User Variables 2	
25604	FLOAT			SNMP User Variables 3	
25606	FLOAT			SNMP User Variables 4	
25608	FLOAT			SNMP User Variables 5	
25610	FLOAT			SNMP User Variables 6	
25612	FLOAT			SNMP User Variables 7	
25614	FLOAT			SNMP User Variables 8	
25616	FLOAT			SNMP User Variables 9	
25618	FLOAT			SNMP User Variables 10	
25620	FLOAT			SNMP User Variables 11	
25622	FLOAT			SNMP User Variables 12	
25624	FLOAT			SNMP User Variables 13	
25626	FLOAT			SNMP User Variables 14	
25628	FLOAT			SNMP User Variables 15	
25630	STRING		32	UMG Hostname	
25646	STRING		32	Device ip address (change restarts system)	
25662	STRING		32	Device netmask (change restarts system)	
25678	STRING		32	Device gateway ip address (change restarts system)	
25694	STRING		32	Update address for boodloader	
25710	STRING		18	Update ethernet address	
25719	INT			Set device to dhcp network config (change restarts system) (0,1)	
25721	STRING		16	Device DNS server IP	
25729	BYTE			Listen to NTP broadcast (1/0)	
25730	STRING		32	NTP Server 1	
25746	STRING		32	NTP Server 2	
25762	STRING		32	NTP Server 3	
25778	STRING		32	NTP Server 4	
25794	STRING		32	NTP Server 5	
25810	STRING		32	NTP Server 6	
25826	STRING		32	NTP Server 7	
25842	STRING		32	NTP Server 8	
25860	INT			SNMP Trap server ip	
25862	INT			BACNet instance	
25864	INT		s	BACNet send i am time	
25866	STRING		16	Language	
25874	INT			Serial-Nr.	
25876	STRING		128	SMTP Mailserver address	
25940	SHORT			SMTP Mailserver port	
25941	INT			SMTP Mailserver authorization mode: 0=none, 1=plain, 2=login, 3=cram-md5	
25943	STRING		128	SMTP Mailserver user	
26007	STRING		128	SMTP Mailserver pass	
26071	STRING		48	Mail_from Adress	
26095	STRING		256	Mail_to Adress(es)	
26223	STRING		256	Mail error STRING	
26351	SHORT			Enable Mail for event (0-4=Comparator1-5, 5=Undervoltage, 6=Overvoltage, 7=Overcurrent)	
26352	SHORT			Enable Mail for event (0-4=Comparator1-5, 5=Undervoltage, 6=Overvoltage, 7=Overcurrent)	
26353	SHORT			Enable Mail for event (0-4=Comparator1-5, 5=Undervoltage, 6=Overvoltage, 7=Overcurrent)	
26354	SHORT			Enable Mail for event (0-4=Comparator1-5, 5=Undervoltage, 6=Overvoltage, 7=Overcurrent)	
26355	SHORT			Enable Mail for event (0-4=Comparator1-5, 5=Undervoltage, 6=Overvoltage, 7=Overcurrent)	
26356	SHORT			Enable Mail for event (0-4=Comparator1-5, 5=Undervoltage, 6=Overvoltage, 7=Overcurrent)	
26357	SHORT			Enable Mail for event (0-4=Comparator1-5, 5=Undervoltage, 6=Overvoltage, 7=Overcurrent)	
26358	SHORT			Enable Mail for event (0-4=Comparator1-5, 5=Undervoltage, 6=Overvoltage, 7=Overcurrent)	
26359	STRING		128	Mail subject for Comparator 1 output	
26423	STRING		128	Mail subject for Comparator 2 output	
26487	STRING		128	Mail subject for Comparator 3 output	
26551	STRING		128	Mail subject for Comparator 4 output	
26615	STRING		128	Mail subject for Comparator 5 output	
26679	STRING		128	Mail subject for undervoltage event	

Address	Format	RD/WR	Unit	Note	Index
26743	STRING		128	Mail subject for overvoltage event	
26807	STRING		128	Mail subject for overcurrent event	
26871	STRING		400	Mail text for Comparator 1 output	
27071	STRING		400	Mail text for Comparator 2 output	
27271	STRING		400	Mail text for Comparator 3 output	
27471	STRING		400	Mail text for Comparator 4 output	
27671	STRING		400	Mail text for Comparator 5 output	
27871	STRING		400	Mail text for undervoltage event	
28071	STRING		400	Mail text for overvoltage event	
28271	STRING		400	Mail text for overcurrent event	
28471	INT			IP of Bacnet Broadcast Management device (BBMD) for foreign device registration	
28473	SHORT			Port of Bacnet Broadcast Management device (BBMD) for foreign device registration	
28474	LONG64			Ethernet address (uLONG)	
28478	SHORT			BACnet network number for vnet. Set to 0 to reset to unique value.	
28479	SHORT			BACnet network number for vnet. Set to 0 to reset to unique value.	
29000	CUSTOM			Update for device module	

Address	Format	RD/WR	Unit	Note	Adjustment Area	Default
10259	INT	RD	s	Total running time, comparator F, comparator group 2 (integer)		
10261	INT	RD	s	Total running time, comparator G, comparator group 2 (integer)		
10263	INT	RD	s	Total running time, comparator H, comparator group 2 (integer)		
10265	INT	RD	s	Total running time, comparator I, comparator group 2 (integer)		
10267	INT	RD	s	Total running time, comparator J, comparator group 2 (integer)		
10269	INT	RD	s	Total running time, comparator A, comparator group 3 (integer)		
10271	INT	RD	s	Total running time, comparator B, comparator group 3 (integer)		
10273	INT	RD	s	Total running time, comparator C, comparator group 3 (integer)		
10275	INT	RD	s	Total running time, comparator D, comparator group 3 (integer)		
10277	INT	RD	s	Total running time, comparator E, comparator group 3 (integer)		
10279	INT	RD	s	Total running time, comparator F, comparator group 3 (integer)		
10281	INT	RD	s	Total running time, comparator G, comparator group 3 (integer)		
10283	INT	RD	s	Total running time, comparator H, comparator group 3 (integer)		
10285	INT	RD	s	Total running time, comparator I, comparator group 3 (integer)		
10287	INT	RD	s	Total running time, comparator J, comparator group 3 (integer)		
10289	INT	RD	s	Total running time, comparator A, comparator group 4 (integer)		
10291	INT	RD	s	Total running time, comparator B, comparator group 4 (integer)		
10293	INT	RD	s	Total running time, comparator C, comparator group 4 (integer)		
10295	INT	RD	s	Total running time, comparator D, comparator group 4 (integer)		
10297	INT	RD	s	Total running time, comparator E, comparator group 4 (integer)		
10299	INT	RD	s	Total running time, comparator F, comparator group 4 (integer)		
10301	INT	RD	s	Total running time, comparator G, comparator group 4 (integer)		
10303	INT	RD	s	Total running time, comparator H, comparator group 4 (integer)		
10305	INT	RD	s	Total running time, comparator I, comparator group 4 (integer)		
10307	INT	RD	s	Total running time, comparator J, comparator group 4 (integer)		
10309	INT	RD	s	Total running time, comparator A, comparator group 5 (integer)		
10311	INT	RD	s	Total running time, comparator B, comparator group 5 (integer)		
10313	INT	RD	s	Total running time, comparator C, comparator group 5 (integer)		
10315	INT	RD	s	Total running time, comparator D, comparator group 5 (integer)		
10317	INT	RD	s	Total running time, comparator E, comparator group 5 (integer)		
10319	INT	RD	s	Total running time, comparator F, comparator group 5 (integer)		
10321	INT	RD	s	Total running time, comparator G, comparator group 5 (integer)		
10323	INT	RD	s	Total running time, comparator H, comparator group 5 (integer)		
10325	INT	RD	s	Total running time, comparator I, comparator group 5 (integer)		
10327	INT	RD	s	Total running time, comparator J, comparator group 5 (integer)		
20711	SHORT	RD/WR	s	Min exceed time comparator 1	0 .. 32000	0
20712	SHORT	RD/WR	s	Min set time comparator 1	0 .. 32000	0
20713	SHORT	RD/WR		Results of the comparator group 1 Combine A...J (0=OR, 1=AND)	0,1	0
20714	FLOAT	RD/WR		Comparator 1A, limit	$-10^{12}-1..+10^{12}-1$	0
20716	FLOAT	RD/WR		Comparator 1B, limit	$-10^{12}-1..+10^{12}-1$	0
20718	FLOAT	RD/WR		Comparator 1C, limit	$-10^{12}-1..+10^{12}-1$	0
20720	FLOAT	RD/WR		Comparator 1D, limit	$-10^{12}-1..+10^{12}-1$	0
20722	FLOAT	RD/WR		Comparator 1E, limit	$-10^{12}-1..+10^{12}-1$	0
20724	FLOAT	RD/WR		Comparator 1F, limit	$-10^{12}-1..+10^{12}-1$	0
20726	FLOAT	RD/WR		Comparator 1G, limit	$-10^{12}-1..+10^{12}-1$	0
20728	FLOAT	RD/WR		Comparator 1H, limit	$-10^{12}-1..+10^{12}-1$	0
20730	FLOAT	RD/WR		Comparator 1I, limit	$-10^{12}-1..+10^{12}-1$	0
20732	FLOAT	RD/WR		Comparator 1J, limit	$-10^{12}-1..+10^{12}-1$	0
20734	SHORT	RD/WR		Comparator 1A, address of measurement value	0 .. 32000	0
20735	SHORT	RD/WR		Comparator 1B, address of measurement value	0 .. 32000	0
20736	SHORT	RD/WR		Comparator 1C, address of measurement value	0 .. 32000	0
20737	SHORT	RD/WR		Comparator 1D, address of measurement value	0 .. 32000	0
20738	SHORT	RD/WR		Comparator 1E, address of measurement value	0 .. 32000	0
20739	SHORT	RD/WR		Comparator 1F, address of measurement value	0 .. 32000	0
20740	SHORT	RD/WR		Comparator 1G, address of measurement value	0 .. 32000	0
20741	SHORT	RD/WR		Comparator 1H, address of measurement value	0 .. 32000	0
20742	SHORT	RD/WR		Comparator 1I, address of measurement value	0 .. 32000	0
20743	SHORT	RD/WR		Comparator 1J, address of measurement value	0 .. 32000	0
20744	SHORT	RD/WR		Comparator 1A, inverted	0, 1	0
20745	SHORT	RD/WR		Comparator 1B, inverted	0, 1	0
20746	SHORT	RD/WR		Comparator 1C, inverted	0, 1	0
20747	SHORT	RD/WR		Comparator 1D, inverted	0, 1	0
20748	SHORT	RD/WR		Comparator 1E, inverted	0, 1	0
20749	SHORT	RD/WR		Comparator 1F, inverted	0, 1	0

Address	Format	RD/WR	Unit	Note	Adjustment Area	Default
20750	SHORT	RD/WR		Comparator 1G, inverted	0, 1	0
20751	SHORT	RD/WR		Comparator 1H, inverted	0, 1	0
20752	SHORT	RD/WR		Comparator 1I, inverted	0, 1	0
20753	SHORT	RD/WR		Comparator 1J, inverted	0, 1	0
20754	SHORT	RD/WR	s	Min. exceed time comparator 2	0 .. 32000	0
20755	SHORT	RD/WR	s	Min. set time comparator 2	0 .. 32000	0
20756	SHORT	RD/WR		Results of the comparator group 2 Combine A...J (0=OR, 1=AND)	0,1	0
20757	FLOAT	RD/WR		Comparator 2A, limit	$-10^{12}-1..+10^{12}-1$	0
20759	FLOAT	RD/WR		Comparator 2B, limit	$-10^{12}-1..+10^{12}-1$	0
20761	FLOAT	RD/WR		Comparator 2C, limit	$-10^{12}-1..+10^{12}-1$	0
20763	FLOAT	RD/WR		Comparator 2D, limit	$-10^{12}-1..+10^{12}-1$	0
20765	FLOAT	RD/WR		Comparator 2E, limit	$-10^{12}-1..+10^{12}-1$	0
20767	FLOAT	RD/WR		Comparator 2F, limit	$-10^{12}-1..+10^{12}-1$	0
20769	FLOAT	RD/WR		Comparator 2G, limit	$-10^{12}-1..+10^{12}-1$	0
20771	FLOAT	RD/WR		Comparator 2H, limit	$-10^{12}-1..+10^{12}-1$	0
20773	FLOAT	RD/WR		Comparator 2I, limit	$-10^{12}-1..+10^{12}-1$	0
20775	FLOAT	RD/WR		Comparator 2J, limit	$-10^{12}-1..+10^{12}-1$	0
20777	SHORT	RD/WR		Comparator 2A, address of measurement value	0 .. 32000	0
20778	SHORT	RD/WR		Comparator 2B, address of measurement value	0 .. 32000	0
20779	SHORT	RD/WR		Comparator 2C, address of measurement value	0 .. 32000	0
20780	SHORT	RD/WR		Comparator 2D, address of measurement value	0 .. 32000	0
20781	SHORT	RD/WR		Comparator 2E, address of measurement value	0 .. 32000	0
20782	SHORT	RD/WR		Comparator 2F, address of measurement value	0 .. 32000	0
20783	SHORT	RD/WR		Comparator 2G, address of measurement value	0 .. 32000	0
20784	SHORT	RD/WR		Comparator 2H, address of measurement value	0 .. 32000	0
20785	SHORT	RD/WR		Comparator 2I, address of measurement value	0 .. 32000	0
20786	SHORT	RD/WR		Comparator 2J, address of measurement value	0 .. 32000	0
20787	SHORT	RD/WR		Comparator 2A, inverted	0, 1	0
20788	SHORT	RD/WR		Comparator 2B, inverted	0, 1	0
20789	SHORT	RD/WR		Comparator 2C, inverted	0, 1	0
20790	SHORT	RD/WR		Comparator 2D, inverted	0, 1	0
20791	SHORT	RD/WR		Comparator 2E, inverted	0, 1	0
20792	SHORT	RD/WR		Comparator 2F, inverted	0, 1	0
20793	SHORT	RD/WR		Comparator 2G, inverted	0, 1	0
20794	SHORT	RD/WR		Comparator 2H, inverted	0, 1	0
20795	SHORT	RD/WR		Comparator 2I, inverted	0, 1	0
20796	SHORT	RD/WR		Comparator 2J, inverted	0, 1	0
20797	SHORT	RD/WR	s	Min. exceed time comparator 3	0 .. 32000	0
20798	SHORT	RD/WR	s	Min. set time comparator 2	0 .. 32000	0
20799	SHORT	RD/WR		Results of the comparator group 3 Combine A...J (0=OR, 1=AND)	0,1	0
20800	FLOAT	RD/WR		Comparator 3A, limit	$-10^{12}-1..+10^{12}-1$	0
20802	FLOAT	RD/WR		Comparator 3B, limit	$-10^{12}-1..+10^{12}-1$	0
20804	FLOAT	RD/WR		Comparator 3C, limit	$-10^{12}-1..+10^{12}-1$	0
20806	FLOAT	RD/WR		Comparator 3D, limit	$-10^{12}-1..+10^{12}-1$	0
20808	FLOAT	RD/WR		Comparator 3E, limit	$-10^{12}-1..+10^{12}-1$	0
20810	FLOAT	RD/WR		Comparator 3F, limit	$-10^{12}-1..+10^{12}-1$	0
20812	FLOAT	RD/WR		Comparator 3G, limit	$-10^{12}-1..+10^{12}-1$	0
20814	FLOAT	RD/WR		Comparator 3H, limit	$-10^{12}-1..+10^{12}-1$	0
20816	FLOAT	RD/WR		Comparator 3I, limit	$-10^{12}-1..+10^{12}-1$	0
20818	FLOAT	RD/WR		Comparator 3J, limit	$-10^{12}-1..+10^{12}-1$	0
20820	SHORT	RD/WR		Comparator 3A, address of measurement value	0 .. 32000	0
20821	SHORT	RD/WR		Comparator 3B, address of measurement value	0 .. 32000	0
20822	SHORT	RD/WR		Comparator 3C, address of measurement value	0 .. 32000	0
20823	SHORT	RD/WR		Comparator 3D, address of measurement value	0 .. 32000	0
20824	SHORT	RD/WR		Comparator 3E, address of measurement value	0 .. 32000	0
20825	SHORT	RD/WR		Comparator 3F, address of measurement value	0 .. 32000	0
20826	SHORT	RD/WR		Comparator 3G, address of measurement value	0 .. 32000	0
20827	SHORT	RD/WR		Comparator 3H, address of measurement value	0 .. 32000	0
20828	SHORT	RD/WR		Comparator 3I, address of measurement value	0 .. 32000	0
20829	SHORT	RD/WR		Comparator 3J, address of measurement value	0 .. 32000	0
20830	SHORT	RD/WR		Comparator 3A, inverted	0, 1	0
20831	SHORT	RD/WR		Comparator 3B, inverted	0, 1	0

Address	Format	RD/WR	Unit	Note	Adjustment Area	Default
20832	SHORT	RD/WR		Comparator 3C, inverted	0, 1	0
20833	SHORT	RD/WR		Comparator 3D, inverted	0, 1	0
20834	SHORT	RD/WR		Comparator 3E, inverted	0, 1	0
20835	SHORT	RD/WR		Comparator 3F, inverted	0, 1	0
20836	SHORT	RD/WR		Comparator 3G, inverted	0, 1	0
20837	SHORT	RD/WR		Comparator 3H, inverted	0, 1	0
20838	SHORT	RD/WR		Comparator 3I, inverted	0, 1	0
20839	SHORT	RD/WR		Comparator 3J, inverted	0, 1	0
20840	SHORT	RD/WR	s	Min. exceed time comparator 4	0 .. 32000	0
20841	SHORT	RD/WR	s	Min set time comparator 4	0 .. 32000	0
20842	SHORT	RD/WR		Results of the comparator group 4 Combine A...J (0=OR, 1=AND)	0,1	0
20843	FLOAT	RD/WR		Comparator 4A, limit	$-10^{12}-1..+10^{12}-1$	0
20845	FLOAT	RD/WR		Comparator 4B, limit	$-10^{12}-1..+10^{12}-1$	0
20847	FLOAT	RD/WR		Comparator 4C, limit	$-10^{12}-1..+10^{12}-1$	0
20849	FLOAT	RD/WR		Comparator 4D, limit	$-10^{12}-1..+10^{12}-1$	0
20851	FLOAT	RD/WR		Comparator 4E, limit	$-10^{12}-1..+10^{12}-1$	0
20853	FLOAT	RD/WR		Comparator 4F, limit	$-10^{12}-1..+10^{12}-1$	0
20855	FLOAT	RD/WR		Comparator 4G, limit	$-10^{12}-1..+10^{12}-1$	0
20857	FLOAT	RD/WR		Comparator 4H, limit	$-10^{12}-1..+10^{12}-1$	0
20859	FLOAT	RD/WR		Comparator 4I, limit	$-10^{12}-1..+10^{12}-1$	0
20861	FLOAT	RD/WR		Comparator 4J, limit	$-10^{12}-1..+10^{12}-1$	0
20863	SHORT	RD/WR		Comparator 4A, address of measurement value	0 .. 32000	0
20864	SHORT	RD/WR		Comparator 4B, address of measurement value	0 .. 32000	0
20865	SHORT	RD/WR		Comparator 4C, address of measurement value	0 .. 32000	0
20866	SHORT	RD/WR		Comparator 4D, address of measurement value	0 .. 32000	0
20867	SHORT	RD/WR		Comparator 4E, address of measurement value	0 .. 32000	0
20868	SHORT	RD/WR		Comparator 4F, address of measurement value	0 .. 32000	0
20869	SHORT	RD/WR		Comparator 4G, address of measurement value	0 .. 32000	0
20870	SHORT	RD/WR		Comparator 4H, address of measurement value	0 .. 32000	0
20871	SHORT	RD/WR		Comparator 4I, address of measurement value	0 .. 32000	0
20872	SHORT	RD/WR		Comparator 4J, address of measurement value	0 .. 32000	0
20873	SHORT	RD/WR		Comparator 4A, inverted	0, 1	0
20874	SHORT	RD/WR		Comparator 4B, inverted	0, 1	0
20875	SHORT	RD/WR		Comparator 4C, inverted	0, 1	0
20876	SHORT	RD/WR		Comparator 4D, inverted	0, 1	0
20877	SHORT	RD/WR		Comparator 4E, inverted	0, 1	0
20878	SHORT	RD/WR		Comparator 4F, inverted	0, 1	0
20879	SHORT	RD/WR		Comparator 4G, inverted	0, 1	0
20880	SHORT	RD/WR		Comparator 4H, inverted	0, 1	0
20881	SHORT	RD/WR		Comparator 4I, inverted	0, 1	0
20882	SHORT	RD/WR		Comparator 4J, inverted	0, 1	0
20883	SHORT	RD/WR	s	Min. exceed time comparator 5	0 .. 32000	0
20884	SHORT	RD/WR	s	Min set time comparator 5	0 .. 32000	0
20885	SHORT			Results of the comparator group 5 Combine A...J (0=OR, 1=AND)	0,1	0
20886	FLOAT	RD/WR		Comparator 5A, limit	$-10^{12}-1..+10^{12}-1$	0
20888	FLOAT	RD/WR		Comparator 5B, limit	$-10^{12}-1..+10^{12}-1$	0
20890	FLOAT	RD/WR		Comparator 5C, limit	$-10^{12}-1..+10^{12}-1$	0
20892	FLOAT	RD/WR		Comparator 5D, limit	$-10^{12}-1..+10^{12}-1$	0
20894	FLOAT	RD/WR		Comparator 5E, limit	$-10^{12}-1..+10^{12}-1$	0
20896	FLOAT	RD/WR		Comparator 5F, limit	$-10^{12}-1..+10^{12}-1$	0
20898	FLOAT	RD/WR		Comparator 5G, limit	$-10^{12}-1..+10^{12}-1$	0
20900	FLOAT	RD/WR		Comparator 5H, limit	$-10^{12}-1..+10^{12}-1$	0
20902	FLOAT	RD/WR		Comparator 5I, limit	$-10^{12}-1..+10^{12}-1$	0
20904	FLOAT	RD/WR		Comparator 5J, limit	$-10^{12}-1..+10^{12}-1$	0
20906	SHORT	RD/WR		Comparator 5A, address of measurement value	0 .. 32000	0
20907	SHORT	RD/WR		Comparator 5B, address of measurement value	0 .. 32000	0
20908	SHORT	RD/WR		Comparator 5C, address of measurement value	0 .. 32000	0
20909	SHORT	RD/WR		Comparator 5D, address of measurement value	0 .. 32000	0
20910	SHORT	RD/WR		Comparator 5E, address of measurement value	0 .. 32000	0
20911	SHORT	RD/WR		Comparator 5F, address of measurement value	0 .. 32000	0
20912	SHORT	RD/WR		Comparator 5G, address of measurement value	0 .. 32000	0
20913	SHORT	RD/WR		Comparator 5H, address of measurement value	0 .. 32000	0

Address	Format	RD/WR	Unit	Note	Adjustment Area	Default
20914	SHORT	RD/WR		Comparator 5I, address of measurement value	0 .. 32000	0
20915	SHORT	RD/WR		Comparator 5J, address of measurement value	0 .. 32000	0
20916	SHORT	RD/WR		Comparator 5A, inverted	0, 1	0
20917	SHORT	RD/WR		Comparator 5B, inverted	0, 1	0
20918	SHORT	RD/WR		Comparator 5C, inverted	0, 1	0
20919	SHORT	RD/WR		Comparator 5D, inverted	0, 1	0
20920	SHORT	RD/WR		Comparator 5E, inverted	0, 1	0
20921	SHORT	RD/WR		Comparator 5F, inverted	0, 1	0
20922	SHORT	RD/WR		Comparator 5G, inverted	0, 1	0
20923	SHORT	RD/WR		Comparator 5H, inverted	0, 1	0
20924	SHORT	RD/WR		Comparator 5I, inverted	0, 1	0
20925	SHORT	RD/WR		Comparator 5J, inverted	0, 1	0
20926	SHORT	RD		Results of the comparator A, comparator group 1		
20927	SHORT	RD		Results of the comparator B, comparator group 1		
20928	SHORT	RD		Results of the comparator C, comparator group 1		
20929	SHORT	RD		Results of the comparator D, comparator group 1		
20930	SHORT	RD		Results of the comparator E, comparator group 1		
20931	SHORT	RD		Results of the comparator F, comparator group 1		
20932	SHORT	RD		Results of the comparator G, comparator group 1		
20933	SHORT	RD		Results of the comparator H, comparator group 1		
20934	SHORT	RD		Results of the comparator I, comparator group 1		
20935	SHORT	RD		Results of the comparator J, comparator group 1		
20936	SHORT	RD		Results of the comparator A, comparator group 2		
20937	SHORT	RD		Results of the comparator B, comparator group 2		
20938	SHORT	RD		Results of the comparator C, comparator group 2		
20939	SHORT	RD		Results of the comparator D, comparator group 2		
20940	SHORT	RD		Results of the comparator E, comparator group 2		
20941	SHORT	RD		Results of the comparator F, comparator group 2		
20942	SHORT	RD		Results of the comparator G, comparator group 2		
20943	SHORT	RD		Results of the comparator H, comparator group 2		
20944	SHORT	RD		Results of the comparator I, comparator group 2		
20945	SHORT	RD		Results of the comparator J, comparator group 2		
20946	SHORT	RD		Results of the comparator A, comparator group 3		
20947	SHORT	RD		Results of the comparator B, comparator group 3		
20948	SHORT	RD		Results of the comparator C, comparator group 3		
20949	SHORT	RD		Results of the comparator D, comparator group 3		
20950	SHORT	RD		Results of the comparator E, comparator group 3		
20951	SHORT	RD		Results of the comparator F, comparator group 3		
20952	SHORT	RD		Results of the comparator G, comparator group 3		
20953	SHORT	RD		Results of the comparator H, comparator group 3		
20954	SHORT	RD		Results of the comparator I, comparator group 3		
20955	SHORT	RD		Results of the comparator J, comparator group 3		
20956	SHORT	RD		Results of the comparator A, comparator group 4		
20957	SHORT	RD		Results of the comparator B, comparator group 4		
20958	SHORT	RD		Results of the comparator C, comparator group 4		
20959	SHORT	RD		Results of the comparator D, comparator group 4		
20960	SHORT	RD		Results of the comparator E, comparator group 4		
20961	SHORT	RD		Results of the comparator F, comparator group 4		
20962	SHORT	RD		Results of the comparator G, comparator group 4		
20963	SHORT	RD		Results of the comparator H, comparator group 4		
20964	SHORT	RD		Results of the comparator I, comparator group 4		
20965	SHORT	RD		Results of the comparator J, comparator group 4		
20966	SHORT	RD		Results of the comparator A, comparator group 5		
20967	SHORT	RD		Results of the comparator B, comparator group 5		
20968	SHORT	RD		Results of the comparator C, comparator group 5		
20969	SHORT	RD		Results of the comparator D, comparator group 5		
20970	SHORT	RD		Results of the comparator E, comparator group 5		
20971	SHORT	RD		Results of the comparator F, comparator group 5		
20972	SHORT	RD		Results of the comparator G, comparator group 5		
20973	SHORT	RD		Results of the comparator H, comparator group 5		
20974	SHORT	RD		Results of the comparator I, comparator group 5		
20975	SHORT	RD		Results of the comparator J, comparator group 5		
20976	SHORT	RD		Comparator group 1, Linkage result of comparator group		
20977	SHORT	RD		Comparator group 2, Linkage result of comparator group		

Address	Format	RD/WR	Unit	Note	Adjustment Area	Default
20978	SHORT	RD		Comparator group 3, Linkage result of comparator group		
20979	SHORT	RD		Comparator group 4, Linkage result of comparator group		
20980	SHORT	RD		Comparator group 5, Linkage result of comparator group		

Minimum values, time stamp

Address	Format	RD/WR	Unit	Note	Index
10503	INT	RD	s	Time of min. value (UTC), Measured frequency	
10505	INT	RD	s	Time of min. value (UTC), Voltage, zero sequence	
10507	INT	RD	s	Time of min. value (UTC), Voltage, negative sequence	
10509	INT	RD	s	Time of min. value (UTC), Voltage, positive sequence	
10511	INT	RD	s	Time of min. value (UTC), Voltage L1-N	
10513	INT	RD	s	Time of min. value (UTC), Voltage L2-N	
10515	INT	RD	s	Time of min. value (UTC), Voltage L3-N	
10517	INT	RD	s	Time of min. value (UTC), Voltage L1-L3	
10519	INT	RD	s	Time of min. value (UTC), Voltage L2-L3	
10521	INT	RD	s	Time of min. value (UTC), Voltage L1-L3	
10523	INT	RD	s	Time of min. value (UTC), Fund. power factor, CosPhi; L1	
10525	INT	RD	s	Time of min. value (UTC), Fund. power factor, CosPhi; L2	
10527	INT	RD	s	Time of min. value (UTC), Fund. power factor, CosPhi; L3	
10529	INT	RD	s	Time of min. value (UTC), Fund. power factor, CosPhi; sum	
10531	INT	RD	s	Time of min. value (UTC), Power factor; L1	
10533	INT	RD	s	Time of min. value (UTC), Power factor; L2	
10535	INT	RD	s	Time of min. value (UTC), Power factor; L3	
10537	INT	RD	s	Time of min. value (UTC), Power factor; L sum	
10539	INT	RD	s	Time of min. value (UTC), THD, U L1-N	
10541	INT	RD	s	Time of min. value (UTC), THD, U L2-N	
10543	INT	RD	s	Time of min. value (UTC), THD, U L3-N	
10545	INT	RD	s	Time of min. value (UTC), THD, U L1-L2	
10547	INT	RD	s	Time of min. value (UTC), THD, U L2-L3	
10549	INT	RD	s	Time of min. value (UTC), THD, U L1-L3	
10551	INT	RD	s	Time of min. value (UTC), Voltage, real part U L1-N	
10553	INT	RD	s	Time of min. value (UTC), Voltage, real part U L2-N	
10555	INT	RD	s	Time of min. value (UTC), Voltage, real part U L3-N	
10557	INT	RD	s	Time of min. value (UTC), Voltage, imaginary part U L1-N	
10559	INT	RD	s	Time of min. value (UTC), Voltage, imaginary part U L2-N	
10561	INT	RD	s	Time of min. value (UTC), Voltage, imaginary part U L3-N	

Maximum values, time stamp

Address	Format	RD/WR	Unit	Note	Index
10335	INT	RD	s	Time of max. value (UTC), Current I L4	
10337	INT	RD	s	Time of max. value (UTC), THD I L4	
10339	INT	RD	s	Time of max. value (UTC), TDD I L4	
10341	INT	RD	s	Time of max. value (UTC) average, current I L4	
10343	INT	RD	s	Time of max. value (UTC) power s0 (pulse input 1)	
10345	INT	RD	s	Time of max. value (UTC) power s0 (pulse input 2)	
10347	INT	RD	s	Time of max. value (UTC) power s0 (pulse input 3)	
10349	INT	RD	s	Time of max. value (UTC), Measured frequency	
10351	INT	RD	s	Time of max. value (UTC), Voltage, zero sequence	
10353	INT	RD	s	Time of max. value (UTC), Voltage, negative sequence	
10355	INT	RD	s	Time of max. value (UTC), Voltage, positive sequence	
10357	INT	RD	s	Time of max. value (UTC), Voltage L1-N	
10359	INT	RD	s	Time of max. value (UTC), Voltage L2-N	
10361	INT	RD	s	Time of max. value (UTC), Voltage L3-N	
10363	INT	RD	s	Time of max. value (UTC), Voltage L1-L2	
10365	INT	RD	s	Time of max. value (UTC), Voltage L2-L3	
10367	INT	RD	s	Time of max. value (UTC), Voltage L1-L3	
10369	INT	RD	s	Time of max. value (UTC), Fund. power factor, CosPhi; L1	
10371	INT	RD	s	Time of max. value (UTC), Fund. power factor, CosPhi; L2	
10373	INT	RD	s	Time of max. value (UTC), Fund. power factor, CosPhi; L3	
10375	INT	RD	s	Time of max. value (UTC), Fund. power factor, CosPhi; sum	
10377	INT	RD	s	Time of max. value (UTC), Power factor; L1	
10379	INT	RD	s	Time of max. value (UTC), Power factor; L2	
10381	INT	RD	s	Time of max. value (UTC), Power factor; L3	
10383	INT	RD	s	Time of max. value (UTC), Power factor; sum	
10385	INT	RD	s	Time of max. value (UTC), THD, U L1-N	
10387	INT	RD	s	Time of max. value (UTC), THD, U L2-N	
10389	INT	RD	s	Time of max. value (UTC), THD, U L3-N	
10391	INT	RD	s	Time of max. value (UTC), THD, U L1-L2	
10393	INT	RD	s	Time of max. value (UTC), THD, U L2-L3	
10395	INT	RD	s	Time of max. value (UTC), THD, U L1-L3	
10397	INT	RD	s	Time of max. value (UTC), Voltage, real part U L1-N	
10399	INT	RD	s	Time of max. value (UTC), Voltage, real part U L2-N	
10401	INT	RD	s	Time of max. value (UTC), Voltage, real part U L3-N	
10403	INT	RD	s	Time of max. value (UTC), Voltage, imaginary part U L1-N	
10405	INT	RD	s	Time of max. value (UTC), Voltage, imaginary part U L2-N	
10407	INT	RD	s	Time of max. value (UTC), Voltage, imaginary part U L3-N	
10409	INT	RD	s	Time of max. value (UTC), Current I L1	
10411	INT	RD	s	Time of max. value (UTC), Current I L2	
10413	INT	RD	s	Time of max. value (UTC), Current I L3	
10415	INT	RD	s	Time of max. value (UTC), Current I L (sum L1-L3)	
10417	INT	RD	s	Time of max. value (UTC), Real power P1	
10419	INT	RD	s	Time of max. value (UTC), Real power P2	
10421	INT	RD	s	Time of max. value (UTC), Real power P3	
10423	INT	RD	s	Time of max. value (UTC), Real power P sum	
10425	INT	RD	s	Time of max. value (UTC), Fund. reactive power Q1	
10427	INT	RD	s	Time of max. value (UTC), Fund. reactive power Q2	
10429	INT	RD	s	Time of max. value (UTC), Fund. reactive power Q3	
10431	INT	RD	s	Time of max. value (UTC), Fund. reactive power Q sum	
10433	INT	RD	s	Time of max. value (UTC), Apparent power S1	
10435	INT	RD	s	Time of max. value (UTC), Apparent power S2	
10437	INT	RD	s	Time of max. value (UTC), Apparent power S3	
10439	INT	RD	s	Time of max. value (UTC), Apparent power S, sum	
10441	INT	RD	s	Time of max. value (UTC), Fund. real power P1	
10443	INT	RD	s	Time of max. value (UTC), Fund. real power P2	
10445	INT	RD	s	Time of max. value (UTC), Fund. real power P3	
10447	INT	RD	s	Time of max. value (UTC), Fund. real power P sum	
10449	INT	RD	s	Time of max. value (UTC), Harmonic distortion power D L1-N	
10451	INT	RD	s	Time of max. value (UTC), Harmonic distortion power D L2-N	
10453	INT	RD	s	Time of max. value (UTC), Harmonic distortion power D L3-N	
10455	INT	RD	s	Time of max. value (UTC), Harmonic distortion power D sum3=D1+D2+D3	
10457	INT	RD	s	Time of max. value (UTC), THD I1	
10459	INT	RD	s	Time of max. value (UTC), THD I2	
10461	INT	RD	s	Time of max. value (UTC), THD I3	
10463	INT	RD	s	Time of max. value (UTC), TDD I1	

Address	Format	RD/WR	Unit	Note	Index
10465	INT	RD	s	Time of max. value (UTC), TDD I2	
10467	INT	RD	s	Time of max. value (UTC), TDD I3	
10469	INT	RD	s	Time of max. value (UTC), Current, zero sequence	
10471	INT	RD	s	Time of max. value (UTC), Current, negative sequence	
10473	INT	RD	s	Time of max. value (UTC), Current, positive sequence	
10475	INT	RD	s	Time of max. value (UTC), Current, real part I L1	
10477	INT	RD	s	Time of max. value (UTC), Current, real part I L2	
10479	INT	RD	s	Time of max. value (UTC), Current, real part I L3	
10481	INT	RD	s	Time of max. value (UTC), Current, imaginary part I L1	
10483	INT	RD	s	Time of max. value (UTC), Current, imaginary part I L2	
10485	INT	RD	s	Time of max. value (UTC), Current, imaginary part I L3	
10487	INT	RD	s	Time of max. value (UTC) Average, current I L1	
10489	INT	RD	s	Time of max. value (UTC) Average, current I L2	
10491	INT	RD	s	Time of max. value (UTC) Average, current I L3	
10493	INT	RD	s	Time of max. value (UTC) Average, current I sum	
10495	INT	RD	s	Time of max. value (UTC) Average, Real Power P1	
10497	INT	RD	s	Time of max. value (UTC) Average, Real Power P2	
10499	INT	RD	s	Time of max. value (UTC) Average, Real Power P3	
10501	INT	RD	s	Time of max. value (UTC) Average, Real Power P sum	
11245	INT	RD	s	Time of max. value (UTC), Temperature input 1	
11247	INT	RD	s	Time of max. value (UTC), Temperature input 2	
11249	INT	RD	s	Time of max. value (UTC), Diff1 4-20mA	
11251	INT	RD	s	Time of max. value (UTC), Diff2 4-20mA	
11253	INT	RD	s	Time of max. value (UTC), Current Diff1	
11255	INT	RD	s	Time of max. value (UTC), Current Diff2	
11257	INT	RD	s	Time of max. value (UTC), THD I Diff1	
11259	INT	RD	s	Time of max. value (UTC), THD I Diff2	
11261	INT	RD	s	Time of max. value (UTC) Average, Temperature input 1	
11263	INT	RD	s	Time of max. value (UTC) Average, Temperature input 2	
11265	INT	RD	s	Time of max. value (UTC) Average, Diff1 4-20mA	
11267	INT	RD	s	Time of max. value (UTC) Average, Diff2 4-20mA	
11269	INT	RD	s	Time of max. value (UTC) Average, Current Diff1	
11271	INT	RD	s	Time of max. value (UTC) Average, Current Diff2	
11471	INT	RD	s	Time of Arithmetic Sum Current (I1+I2+I3), Maximum	
11473	INT	RD	s	Time of Arithmetic Sum Current (I1+I2+I3), Maximum average	

Address	Format	RD/WR	Unit	Note	Index
---------	--------	-------	------	------	-------

Fourier analysis

Measured values, type float, fourier analysis

Address	Format	RD/WR	Unit	Note	Index
1000	FLOAT	RD	V	Harmonic U L1	[0]
1002	FLOAT	RD	V	Harmonic U L1	[1]
1004	FLOAT	RD	V	Harmonic U L1	[2]
1006	FLOAT	RD	V	Harmonic U L1	[3]
1008	FLOAT	RD	V	Harmonic U L1	[4]
1010	FLOAT	RD	V	Harmonic U L1	[5]
1012	FLOAT	RD	V	Harmonic U L1	[6]
1014	FLOAT	RD	V	Harmonic U L1	[7]
1016	FLOAT	RD	V	Harmonic U L1	[8]
1018	FLOAT	RD	V	Harmonic U L1	[9]
1020	FLOAT	RD	V	Harmonic U L1	[10]
1022	FLOAT	RD	V	Harmonic U L1	[11]
1024	FLOAT	RD	V	Harmonic U L1	[12]
1026	FLOAT	RD	V	Harmonic U L1	[13]
1028	FLOAT	RD	V	Harmonic U L1	[14]
1030	FLOAT	RD	V	Harmonic U L1	[15]
1032	FLOAT	RD	V	Harmonic U L1	[16]
1034	FLOAT	RD	V	Harmonic U L1	[17]
1036	FLOAT	RD	V	Harmonic U L1	[18]
1038	FLOAT	RD	V	Harmonic U L1	[19]
1040	FLOAT	RD	V	Harmonic U L1	[20]
1042	FLOAT	RD	V	Harmonic U L1	[21]
1044	FLOAT	RD	V	Harmonic U L1	[22]
1046	FLOAT	RD	V	Harmonic U L1	[23]
1048	FLOAT	RD	V	Harmonic U L1	[24]
1050	FLOAT	RD	V	Harmonic U L1	[25]
1052	FLOAT	RD	V	Harmonic U L1	[26]
1054	FLOAT	RD	V	Harmonic U L1	[27]
1056	FLOAT	RD	V	Harmonic U L1	[28]
1058	FLOAT	RD	V	Harmonic U L1	[29]
1060	FLOAT	RD	V	Harmonic U L1	[30]
1062	FLOAT	RD	V	Harmonic U L1	[31]
1064	FLOAT	RD	V	Harmonic U L1	[32]
1066	FLOAT	RD	V	Harmonic U L1	[33]
1068	FLOAT	RD	V	Harmonic U L1	[34]
1070	FLOAT	RD	V	Harmonic U L1	[35]
1072	FLOAT	RD	V	Harmonic U L1	[36]
1074	FLOAT	RD	V	Harmonic U L1	[37]
1076	FLOAT	RD	V	Harmonic U L1	[38]
1078	FLOAT	RD	V	Harmonic U L1	[39]
1080	FLOAT	RD	V	Harmonic U L2	[0]
1082	FLOAT	RD	V	Harmonic U L2	[1]
1084	FLOAT	RD	V	Harmonic U L2	[2]
1086	FLOAT	RD	V	Harmonic U L2	[3]
1088	FLOAT	RD	V	Harmonic U L2	[4]
1090	FLOAT	RD	V	Harmonic U L2	[5]
1092	FLOAT	RD	V	Harmonic U L2	[6]
1094	FLOAT	RD	V	Harmonic U L2	[7]
1096	FLOAT	RD	V	Harmonic U L2	[8]
1098	FLOAT	RD	V	Harmonic U L2	[9]
1100	FLOAT	RD	V	Harmonic U L2	[10]
1102	FLOAT	RD	V	Harmonic U L2	[11]
1104	FLOAT	RD	V	Harmonic U L2	[12]
1106	FLOAT	RD	V	Harmonic U L2	[13]
1108	FLOAT	RD	V	Harmonic U L2	[14]
1110	FLOAT	RD	V	Harmonic U L2	[15]
1112	FLOAT	RD	V	Harmonic U L2	[16]
1114	FLOAT	RD	V	Harmonic U L2	[17]
1116	FLOAT	RD	V	Harmonic U L2	[18]
1118	FLOAT	RD	V	Harmonic U L2	[19]
1120	FLOAT	RD	V	Harmonic U L2	[20]
1122	FLOAT	RD	V	Harmonic U L2	[21]
1124	FLOAT	RD	V	Harmonic U L2	[22]
1126	FLOAT	RD	V	Harmonic U L2	[23]
1128	FLOAT	RD	V	Harmonic U L2	[24]
1130	FLOAT	RD	V	Harmonic U L2	[25]

Address	Format	RD/WR	Unit	Note	Index
1132	FLOAT	RD	V	Harmonic U L2	[26]
1134	FLOAT	RD	V	Harmonic U L2	[27]
1136	FLOAT	RD	V	Harmonic U L2	[28]
1138	FLOAT	RD	V	Harmonic U L2	[29]
1140	FLOAT	RD	V	Harmonic U L2	[30]
1142	FLOAT	RD	V	Harmonic U L2	[31]
1144	FLOAT	RD	V	Harmonic U L2	[32]
1146	FLOAT	RD	V	Harmonic U L2	[33]
1148	FLOAT	RD	V	Harmonic U L2	[34]
1150	FLOAT	RD	V	Harmonic U L2	[35]
1152	FLOAT	RD	V	Harmonic U L2	[36]
1154	FLOAT	RD	V	Harmonic U L2	[37]
1156	FLOAT	RD	V	Harmonic U L2	[38]
1158	FLOAT	RD	V	Harmonic U L2	[39]
1160	FLOAT	RD	V	Harmonic U L3	[0]
1162	FLOAT	RD	V	Harmonic U L3	[1]
1164	FLOAT	RD	V	Harmonic U L3	[2]
1166	FLOAT	RD	V	Harmonic U L3	[3]
1168	FLOAT	RD	V	Harmonic U L3	[4]
1170	FLOAT	RD	V	Harmonic U L3	[5]
1172	FLOAT	RD	V	Harmonic U L3	[6]
1174	FLOAT	RD	V	Harmonic U L3	[7]
1176	FLOAT	RD	V	Harmonic U L3	[8]
1178	FLOAT	RD	V	Harmonic U L3	[9]
1180	FLOAT	RD	V	Harmonic U L3	[10]
1182	FLOAT	RD	V	Harmonic U L3	[11]
1184	FLOAT	RD	V	Harmonic U L3	[12]
1186	FLOAT	RD	V	Harmonic U L3	[13]
1188	FLOAT	RD	V	Harmonic U L3	[14]
1190	FLOAT	RD	V	Harmonic U L3	[15]
1192	FLOAT	RD	V	Harmonic U L3	[16]
1194	FLOAT	RD	V	Harmonic U L3	[17]
1196	FLOAT	RD	V	Harmonic U L3	[18]
1198	FLOAT	RD	V	Harmonic U L3	[19]
1200	FLOAT	RD	V	Harmonic U L3	[20]
1202	FLOAT	RD	V	Harmonic U L3	[21]
1204	FLOAT	RD	V	Harmonic U L3	[22]
1206	FLOAT	RD	V	Harmonic U L3	[23]
1208	FLOAT	RD	V	Harmonic U L3	[24]
1210	FLOAT	RD	V	Harmonic U L3	[25]
1212	FLOAT	RD	V	Harmonic U L3	[26]
1214	FLOAT	RD	V	Harmonic U L3	[27]
1216	FLOAT	RD	V	Harmonic U L3	[28]
1218	FLOAT	RD	V	Harmonic U L3	[29]
1220	FLOAT	RD	V	Harmonic U L3	[30]
1222	FLOAT	RD	V	Harmonic U L3	[31]
1224	FLOAT	RD	V	Harmonic U L3	[32]
1226	FLOAT	RD	V	Harmonic U L3	[33]
1228	FLOAT	RD	V	Harmonic U L3	[34]
1230	FLOAT	RD	V	Harmonic U L3	[35]
1232	FLOAT	RD	V	Harmonic U L3	[36]
1234	FLOAT	RD	V	Harmonic U L3	[37]
1236	FLOAT	RD	V	Harmonic U L3	[38]
1238	FLOAT	RD	V	Harmonic U L3	[39]
1240	FLOAT	RD	V	Harmonic U L1-L2	[0]
1242	FLOAT	RD	V	Harmonic U L1-L2	[1]
1244	FLOAT	RD	V	Harmonic U L1-L2	[2]
1246	FLOAT	RD	V	Harmonic U L1-L2	[3]
1248	FLOAT	RD	V	Harmonic U L1-L2	[4]
1250	FLOAT	RD	V	Harmonic U L1-L2	[5]
1252	FLOAT	RD	V	Harmonic U L1-L2	[6]
1254	FLOAT	RD	V	Harmonic U L1-L2	[7]
1256	FLOAT	RD	V	Harmonic U L1-L2	[8]
1258	FLOAT	RD	V	Harmonic U L1-L2	[9]
1260	FLOAT	RD	V	Harmonic U L1-L2	[10]
1262	FLOAT	RD	V	Harmonic U L1-L2	[11]

Address	Format	RD/WR	Unit	Note	Index
1264	FLOAT	RD	V	Harmonic U L1-L2	[12]
1266	FLOAT	RD	V	Harmonic U L1-L2	[13]
1268	FLOAT	RD	V	Harmonic U L1-L2	[14]
1270	FLOAT	RD	V	Harmonic U L1-L2	[15]
1272	FLOAT	RD	V	Harmonic U L1-L2	[16]
1274	FLOAT	RD	V	Harmonic U L1-L2	[17]
1276	FLOAT	RD	V	Harmonic U L1-L2	[18]
1278	FLOAT	RD	V	Harmonic U L1-L2	[19]
1280	FLOAT	RD	V	Harmonic U L1-L2	[20]
1282	FLOAT	RD	V	Harmonic U L1-L2	[21]
1284	FLOAT	RD	V	Harmonic U L1-L2	[22]
1286	FLOAT	RD	V	Harmonic U L1-L2	[23]
1288	FLOAT	RD	V	Harmonic U L1-L2	[24]
1290	FLOAT	RD	V	Harmonic U L1-L2	[25]
1292	FLOAT	RD	V	Harmonic U L1-L2	[26]
1294	FLOAT	RD	V	Harmonic U L1-L2	[27]
1296	FLOAT	RD	V	Harmonic U L1-L2	[28]
1298	FLOAT	RD	V	Harmonic U L1-L2	[29]
1300	FLOAT	RD	V	Harmonic U L1-L2	[30]
1302	FLOAT	RD	V	Harmonic U L1-L2	[31]
1304	FLOAT	RD	V	Harmonic U L1-L2	[32]
1306	FLOAT	RD	V	Harmonic U L1-L2	[33]
1308	FLOAT	RD	V	Harmonic U L1-L2	[34]
1310	FLOAT	RD	V	Harmonic U L1-L2	[35]
1312	FLOAT	RD	V	Harmonic U L1-L2	[36]
1314	FLOAT	RD	V	Harmonic U L1-L2	[37]
1316	FLOAT	RD	V	Harmonic U L1-L2	[38]
1318	FLOAT	RD	V	Harmonic U L1-L2	[39]
1320	FLOAT	RD	V	Harmonic U L2-L3	[0]
1322	FLOAT	RD	V	Harmonic U L2-L3	[1]
1324	FLOAT	RD	V	Harmonic U L2-L3	[2]
1326	FLOAT	RD	V	Harmonic U L2-L3	[3]
1328	FLOAT	RD	V	Harmonic U L2-L3	[4]
1330	FLOAT	RD	V	Harmonic U L2-L3	[5]
1332	FLOAT	RD	V	Harmonic U L2-L3	[6]
1334	FLOAT	RD	V	Harmonic U L2-L3	[7]
1336	FLOAT	RD	V	Harmonic U L2-L3	[8]
1338	FLOAT	RD	V	Harmonic U L2-L3	[9]
1340	FLOAT	RD	V	Harmonic U L2-L3	[10]
1342	FLOAT	RD	V	Harmonic U L2-L3	[11]
1344	FLOAT	RD	V	Harmonic U L2-L3	[12]
1346	FLOAT	RD	V	Harmonic U L2-L3	[13]
1348	FLOAT	RD	V	Harmonic U L2-L3	[14]
1350	FLOAT	RD	V	Harmonic U L2-L3	[15]
1352	FLOAT	RD	V	Harmonic U L2-L3	[16]
1354	FLOAT	RD	V	Harmonic U L2-L3	[17]
1356	FLOAT	RD	V	Harmonic U L2-L3	[18]
1358	FLOAT	RD	V	Harmonic U L2-L3	[19]
1360	FLOAT	RD	V	Harmonic U L2-L3	[20]
1362	FLOAT	RD	V	Harmonic U L2-L3	[21]
1364	FLOAT	RD	V	Harmonic U L2-L3	[22]
1366	FLOAT	RD	V	Harmonic U L2-L3	[23]
1368	FLOAT	RD	V	Harmonic U L2-L3	[24]
1370	FLOAT	RD	V	Harmonic U L2-L3	[25]
1372	FLOAT	RD	V	Harmonic U L2-L3	[26]
1374	FLOAT	RD	V	Harmonic U L2-L3	[27]
1376	FLOAT	RD	V	Harmonic U L2-L3	[28]
1378	FLOAT	RD	V	Harmonic U L2-L3	[29]
1380	FLOAT	RD	V	Harmonic U L2-L3	[30]
1382	FLOAT	RD	V	Harmonic U L2-L3	[31]
1384	FLOAT	RD	V	Harmonic U L2-L3	[32]
1386	FLOAT	RD	V	Harmonic U L2-L3	[33]
1388	FLOAT	RD	V	Harmonic U L2-L3	[34]
1390	FLOAT	RD	V	Harmonic U L2-L3	[35]
1392	FLOAT	RD	V	Harmonic U L2-L3	[36]
1394	FLOAT	RD	V	Harmonic U L2-L3	[37]

Address	Format	RD/WR	Unit	Note	Index
1396	FLOAT	RD	V	Harmonic U L2-L3	[38]
1398	FLOAT	RD	V	Harmonic U L2-L3	[39]
1400	FLOAT	RD	V	Harmonic U L3-L1	[0]
1402	FLOAT	RD	V	Harmonic U L3-L1	[1]
1404	FLOAT	RD	V	Harmonic U L3-L1	[2]
1406	FLOAT	RD	V	Harmonic U L3-L1	[3]
1408	FLOAT	RD	V	Harmonic U L3-L1	[4]
1410	FLOAT	RD	V	Harmonic U L3-L1	[5]
1412	FLOAT	RD	V	Harmonic U L3-L1	[6]
1414	FLOAT	RD	V	Harmonic U L3-L1	[7]
1416	FLOAT	RD	V	Harmonic U L3-L1	[8]
1418	FLOAT	RD	V	Harmonic U L3-L1	[9]
1420	FLOAT	RD	V	Harmonic U L3-L1	[10]
1422	FLOAT	RD	V	Harmonic U L3-L1	[11]
1424	FLOAT	RD	V	Harmonic U L3-L1	[12]
1426	FLOAT	RD	V	Harmonic U L3-L1	[13]
1428	FLOAT	RD	V	Harmonic U L3-L1	[14]
1430	FLOAT	RD	V	Harmonic U L3-L1	[15]
1432	FLOAT	RD	V	Harmonic U L3-L1	[16]
1434	FLOAT	RD	V	Harmonic U L3-L1	[17]
1436	FLOAT	RD	V	Harmonic U L3-L1	[18]
1438	FLOAT	RD	V	Harmonic U L3-L1	[19]
1440	FLOAT	RD	V	Harmonic U L3-L1	[20]
1442	FLOAT	RD	V	Harmonic U L3-L1	[21]
1444	FLOAT	RD	V	Harmonic U L3-L1	[22]
1446	FLOAT	RD	V	Harmonic U L3-L1	[23]
1448	FLOAT	RD	V	Harmonic U L3-L1	[24]
1450	FLOAT	RD	V	Harmonic U L3-L1	[25]
1452	FLOAT	RD	V	Harmonic U L3-L1	[26]
1454	FLOAT	RD	V	Harmonic U L3-L1	[27]
1456	FLOAT	RD	V	Harmonic U L3-L1	[28]
1458	FLOAT	RD	V	Harmonic U L3-L1	[29]
1460	FLOAT	RD	V	Harmonic U L3-L1	[30]
1462	FLOAT	RD	V	Harmonic U L3-L1	[31]
1464	FLOAT	RD	V	Harmonic U L3-L1	[32]
1466	FLOAT	RD	V	Harmonic U L3-L1	[33]
1468	FLOAT	RD	V	Harmonic U L3-L1	[34]
1470	FLOAT	RD	V	Harmonic U L3-L1	[35]
1472	FLOAT	RD	V	Harmonic U L3-L1	[36]
1474	FLOAT	RD	V	Harmonic U L3-L1	[37]
1476	FLOAT	RD	V	Harmonic U L3-L1	[38]
1478	FLOAT	RD	V	Harmonic U L3-L1	[39]
1480	FLOAT	RD	A	Harmonic I L1	[0]
1482	FLOAT	RD	A	Harmonic I L1	[1]
1484	FLOAT	RD	A	Harmonic I L1	[2]
1486	FLOAT	RD	A	Harmonic I L1	[3]
1488	FLOAT	RD	A	Harmonic I L1	[4]
1490	FLOAT	RD	A	Harmonic I L1	[5]
1492	FLOAT	RD	A	Harmonic I L1	[6]
1494	FLOAT	RD	A	Harmonic I L1	[7]
1496	FLOAT	RD	A	Harmonic I L1	[8]
1498	FLOAT	RD	A	Harmonic I L1	[9]
1500	FLOAT	RD	A	Harmonic I L1	[10]
1502	FLOAT	RD	A	Harmonic I L1	[11]
1504	FLOAT	RD	A	Harmonic I L1	[12]
1506	FLOAT	RD	A	Harmonic I L1	[13]
1508	FLOAT	RD	A	Harmonic I L1	[14]
1510	FLOAT	RD	A	Harmonic I L1	[15]
1512	FLOAT	RD	A	Harmonic I L1	[16]
1514	FLOAT	RD	A	Harmonic I L1	[17]
1516	FLOAT	RD	A	Harmonic I L1	[18]
1518	FLOAT	RD	A	Harmonic I L1	[19]
1520	FLOAT	RD	A	Harmonic I L1	[20]
1522	FLOAT	RD	A	Harmonic I L1	[21]
1524	FLOAT	RD	A	Harmonic I L1	[22]
1526	FLOAT	RD	A	Harmonic I L1	[23]

Address	Format	RD/WR	Unit	Note	Index
1528	FLOAT	RD	A	Harmonic I L1	[24]
1530	FLOAT	RD	A	Harmonic I L1	[25]
1532	FLOAT	RD	A	Harmonic I L1	[26]
1534	FLOAT	RD	A	Harmonic I L1	[27]
1536	FLOAT	RD	A	Harmonic I L1	[28]
1538	FLOAT	RD	A	Harmonic I L1	[29]
1540	FLOAT	RD	A	Harmonic I L1	[30]
1542	FLOAT	RD	A	Harmonic I L1	[31]
1544	FLOAT	RD	A	Harmonic I L1	[32]
1546	FLOAT	RD	A	Harmonic I L1	[33]
1548	FLOAT	RD	A	Harmonic I L1	[34]
1550	FLOAT	RD	A	Harmonic I L1	[35]
1552	FLOAT	RD	A	Harmonic I L1	[36]
1554	FLOAT	RD	A	Harmonic I L1	[37]
1556	FLOAT	RD	A	Harmonic I L1	[38]
1558	FLOAT	RD	A	Harmonic I L1	[39]
1560	FLOAT	RD	A	Harmonic I L2	[0]
1562	FLOAT	RD	A	Harmonic I L2	[1]
1564	FLOAT	RD	A	Harmonic I L2	[2]
1566	FLOAT	RD	A	Harmonic I L2	[3]
1568	FLOAT	RD	A	Harmonic I L2	[4]
1570	FLOAT	RD	A	Harmonic I L2	[5]
1572	FLOAT	RD	A	Harmonic I L2	[6]
1574	FLOAT	RD	A	Harmonic I L2	[7]
1576	FLOAT	RD	A	Harmonic I L2	[8]
1578	FLOAT	RD	A	Harmonic I L2	[9]
1580	FLOAT	RD	A	Harmonic I L2	[10]
1582	FLOAT	RD	A	Harmonic I L2	[11]
1584	FLOAT	RD	A	Harmonic I L2	[12]
1586	FLOAT	RD	A	Harmonic I L2	[13]
1588	FLOAT	RD	A	Harmonic I L2	[14]
1590	FLOAT	RD	A	Harmonic I L2	[15]
1592	FLOAT	RD	A	Harmonic I L2	[16]
1594	FLOAT	RD	A	Harmonic I L2	[17]
1596	FLOAT	RD	A	Harmonic I L2	[18]
1598	FLOAT	RD	A	Harmonic I L2	[19]
1600	FLOAT	RD	A	Harmonic I L2	[20]
1602	FLOAT	RD	A	Harmonic I L2	[21]
1604	FLOAT	RD	A	Harmonic I L2	[22]
1606	FLOAT	RD	A	Harmonic I L2	[23]
1608	FLOAT	RD	A	Harmonic I L2	[24]
1610	FLOAT	RD	A	Harmonic I L2	[25]
1612	FLOAT	RD	A	Harmonic I L2	[26]
1614	FLOAT	RD	A	Harmonic I L2	[27]
1616	FLOAT	RD	A	Harmonic I L2	[28]
1618	FLOAT	RD	A	Harmonic I L2	[29]
1620	FLOAT	RD	A	Harmonic I L2	[30]
1622	FLOAT	RD	A	Harmonic I L2	[31]
1624	FLOAT	RD	A	Harmonic I L2	[32]
1626	FLOAT	RD	A	Harmonic I L2	[33]
1628	FLOAT	RD	A	Harmonic I L2	[34]
1630	FLOAT	RD	A	Harmonic I L2	[35]
1632	FLOAT	RD	A	Harmonic I L2	[36]
1634	FLOAT	RD	A	Harmonic I L2	[37]
1636	FLOAT	RD	A	Harmonic I L2	[38]
1638	FLOAT	RD	A	Harmonic I L2	[39]
1640	FLOAT	RD	A	Harmonic I L3	[0]
1642	FLOAT	RD	A	Harmonic I L3	[1]
1644	FLOAT	RD	A	Harmonic I L3	[2]
1646	FLOAT	RD	A	Harmonic I L3	[3]
1648	FLOAT	RD	A	Harmonic I L3	[4]
1650	FLOAT	RD	A	Harmonic I L3	[5]
1652	FLOAT	RD	A	Harmonic I L3	[6]
1654	FLOAT	RD	A	Harmonic I L3	[7]
1656	FLOAT	RD	A	Harmonic I L3	[8]
1658	FLOAT	RD	A	Harmonic I L3	[9]

Address	Format	RD/WR	Unit	Note	Index
1660	FLOAT	RD	A	Harmonic I L3	[10]
1662	FLOAT	RD	A	Harmonic I L3	[11]
1664	FLOAT	RD	A	Harmonic I L3	[12]
1666	FLOAT	RD	A	Harmonic I L3	[13]
1668	FLOAT	RD	A	Harmonic I L3	[14]
1670	FLOAT	RD	A	Harmonic I L3	[15]
1672	FLOAT	RD	A	Harmonic I L3	[16]
1674	FLOAT	RD	A	Harmonic I L3	[17]
1676	FLOAT	RD	A	Harmonic I L3	[18]
1678	FLOAT	RD	A	Harmonic I L3	[19]
1680	FLOAT	RD	A	Harmonic I L3	[20]
1682	FLOAT	RD	A	Harmonic I L3	[21]
1684	FLOAT	RD	A	Harmonic I L3	[22]
1686	FLOAT	RD	A	Harmonic I L3	[23]
1688	FLOAT	RD	A	Harmonic I L3	[24]
1690	FLOAT	RD	A	Harmonic I L3	[25]
1692	FLOAT	RD	A	Harmonic I L3	[26]
1694	FLOAT	RD	A	Harmonic I L3	[27]
1696	FLOAT	RD	A	Harmonic I L3	[28]
1698	FLOAT	RD	A	Harmonic I L3	[29]
1700	FLOAT	RD	A	Harmonic I L3	[30]
1702	FLOAT	RD	A	Harmonic I L3	[31]
1704	FLOAT	RD	A	Harmonic I L3	[32]
1706	FLOAT	RD	A	Harmonic I L3	[33]
1708	FLOAT	RD	A	Harmonic I L3	[34]
1710	FLOAT	RD	A	Harmonic I L3	[35]
1712	FLOAT	RD	A	Harmonic I L3	[36]
1714	FLOAT	RD	A	Harmonic I L3	[37]
1716	FLOAT	RD	A	Harmonic I L3	[38]
1718	FLOAT	RD	A	Harmonic I L3	[39]
10000	FLOAT	RD	A	Harmonic I L4	[0]
10002	FLOAT	RD	A	Harmonic I L4	[1]
10004	FLOAT	RD	A	Harmonic I L4	[2]
10006	FLOAT	RD	A	Harmonic I L4	[3]
10008	FLOAT	RD	A	Harmonic I L4	[4]
10010	FLOAT	RD	A	Harmonic I L4	[5]
10012	FLOAT	RD	A	Harmonic I L4	[6]
10014	FLOAT	RD	A	Harmonic I L4	[7]
10016	FLOAT	RD	A	Harmonic I L4	[8]
10018	FLOAT	RD	A	Harmonic I L4	[9]
10020	FLOAT	RD	A	Harmonic I L4	[10]
10022	FLOAT	RD	A	Harmonic I L4	[11]
10024	FLOAT	RD	A	Harmonic I L4	[12]
10026	FLOAT	RD	A	Harmonic I L4	[13]
10028	FLOAT	RD	A	Harmonic I L4	[14]
10030	FLOAT	RD	A	Harmonic I L4	[15]
10032	FLOAT	RD	A	Harmonic I L4	[16]
10034	FLOAT	RD	A	Harmonic I L4	[17]
10036	FLOAT	RD	A	Harmonic I L4	[18]
10038	FLOAT	RD	A	Harmonic I L4	[19]
10040	FLOAT	RD	A	Harmonic I L4	[20]
10042	FLOAT	RD	A	Harmonic I L4	[21]
10044	FLOAT	RD	A	Harmonic I L4	[22]
10046	FLOAT	RD	A	Harmonic I L4	[23]
10048	FLOAT	RD	A	Harmonic I L4	[24]
10050	FLOAT	RD	A	Harmonic I L4	[25]
10052	FLOAT	RD	A	Harmonic I L4	[26]
10054	FLOAT	RD	A	Harmonic I L4	[27]
10056	FLOAT	RD	A	Harmonic I L4	[28]
10058	FLOAT	RD	A	Harmonic I L4	[29]
10060	FLOAT	RD	A	Harmonic I L4	[30]
10062	FLOAT	RD	A	Harmonic I L4	[31]
10064	FLOAT	RD	A	Harmonic I L4	[32]
10066	FLOAT	RD	A	Harmonic I L4	[33]
10068	FLOAT	RD	A	Harmonic I L4	[34]

Address	Format	RD/WR	Unit	Note	Index
10070	FLOAT	RD	A	Harmonic I L4	[35]
10072	FLOAT	RD	A	Harmonic I L4	[36]
10074	FLOAT	RD	A	Harmonic I L4	[37]
10076	FLOAT	RD	A	Harmonic I L4	[38]
10078	FLOAT	RD	A	Harmonic I L4	[39]
10881	FLOAT	RD	A	Harmonic I Diff1	[0]
10883	FLOAT	RD	A	Harmonic I Diff1	[1]
10885	FLOAT	RD	A	Harmonic I Diff1	[2]
10887	FLOAT	RD	A	Harmonic I Diff1	[3]
10889	FLOAT	RD	A	Harmonic I Diff1	[4]
10891	FLOAT	RD	A	Harmonic I Diff1	[5]
10893	FLOAT	RD	A	Harmonic I Diff1	[6]
10895	FLOAT	RD	A	Harmonic I Diff1	[7]
10897	FLOAT	RD	A	Harmonic I Diff1	[8]
10899	FLOAT	RD	A	Harmonic I Diff1	[9]
10901	FLOAT	RD	A	Harmonic I Diff1	[10]
10903	FLOAT	RD	A	Harmonic I Diff1	[11]
10905	FLOAT	RD	A	Harmonic I Diff1	[12]
10907	FLOAT	RD	A	Harmonic I Diff1	[13]
10909	FLOAT	RD	A	Harmonic I Diff1	[14]
10911	FLOAT	RD	A	Harmonic I Diff1	[15]
10913	FLOAT	RD	A	Harmonic I Diff1	[16]
10915	FLOAT	RD	A	Harmonic I Diff1	[17]
10917	FLOAT	RD	A	Harmonic I Diff1	[18]
10919	FLOAT	RD	A	Harmonic I Diff1	[19]
10921	FLOAT	RD	A	Harmonic I Diff1	[20]
10923	FLOAT	RD	A	Harmonic I Diff1	[21]
10925	FLOAT	RD	A	Harmonic I Diff1	[22]
10927	FLOAT	RD	A	Harmonic I Diff1	[23]
10929	FLOAT	RD	A	Harmonic I Diff1	[24]
10931	FLOAT	RD	A	Harmonic I Diff1	[25]
10933	FLOAT	RD	A	Harmonic I Diff1	[26]
10935	FLOAT	RD	A	Harmonic I Diff1	[27]
10937	FLOAT	RD	A	Harmonic I Diff1	[28]
10939	FLOAT	RD	A	Harmonic I Diff1	[29]
10941	FLOAT	RD	A	Harmonic I Diff1	[30]
10943	FLOAT	RD	A	Harmonic I Diff1	[31]
10945	FLOAT	RD	A	Harmonic I Diff1	[32]
10947	FLOAT	RD	A	Harmonic I Diff1	[33]
10949	FLOAT	RD	A	Harmonic I Diff1	[34]
10951	FLOAT	RD	A	Harmonic I Diff1	[35]
10953	FLOAT	RD	A	Harmonic I Diff1	[36]
10955	FLOAT	RD	A	Harmonic I Diff1	[37]
10957	FLOAT	RD	A	Harmonic I Diff1	[38]
10959	FLOAT	RD	A	Harmonic I Diff1	[39]
10961	FLOAT	RD	A	Harmonic I Diff2	[0]
10963	FLOAT	RD	A	Harmonic I Diff2	[1]
10965	FLOAT	RD	A	Harmonic I Diff2	[2]
10967	FLOAT	RD	A	Harmonic I Diff2	[3]
10969	FLOAT	RD	A	Harmonic I Diff2	[4]
10971	FLOAT	RD	A	Harmonic I Diff2	[5]
10973	FLOAT	RD	A	Harmonic I Diff2	[6]
10975	FLOAT	RD	A	Harmonic I Diff2	[7]
10977	FLOAT	RD	A	Harmonic I Diff2	[8]
10979	FLOAT	RD	A	Harmonic I Diff2	[9]
10981	FLOAT	RD	A	Harmonic I Diff2	[10]
10983	FLOAT	RD	A	Harmonic I Diff2	[11]
10985	FLOAT	RD	A	Harmonic I Diff2	[12]
10987	FLOAT	RD	A	Harmonic I Diff2	[13]
10989	FLOAT	RD	A	Harmonic I Diff2	[14]
10991	FLOAT	RD	A	Harmonic I Diff2	[15]
10993	FLOAT	RD	A	Harmonic I Diff2	[16]
10995	FLOAT	RD	A	Harmonic I Diff2	[17]
10997	FLOAT	RD	A	Harmonic I Diff2	[18]
10999	FLOAT	RD	A	Harmonic I Diff2	[19]

Address	Format	RD/WR	Unit	Note	Index
11001	FLOAT	RD	A	Harmonic I Diff2	[20]
11003	FLOAT	RD	A	Harmonic I Diff2	[21]
11005	FLOAT	RD	A	Harmonic I Diff2	[22]
11007	FLOAT	RD	A	Harmonic I Diff2	[23]
11009	FLOAT	RD	A	Harmonic I Diff2	[24]
11011	FLOAT	RD	A	Harmonic I Diff2	[25]
11013	FLOAT	RD	A	Harmonic I Diff2	[26]
11015	FLOAT	RD	A	Harmonic I Diff2	[27]
11017	FLOAT	RD	A	Harmonic I Diff2	[28]
11019	FLOAT	RD	A	Harmonic I Diff2	[29]
11021	FLOAT	RD	A	Harmonic I Diff2	[30]
11023	FLOAT	RD	A	Harmonic I Diff2	[31]
11025	FLOAT	RD	A	Harmonic I Diff2	[32]
11027	FLOAT	RD	A	Harmonic I Diff2	[33]
11029	FLOAT	RD	A	Harmonic I Diff2	[34]
11031	FLOAT	RD	A	Harmonic I Diff2	[35]
11033	FLOAT	RD	A	Harmonic I Diff2	[36]
11035	FLOAT	RD	A	Harmonic I Diff2	[37]
11037	FLOAT	RD	A	Harmonic I Diff2	[38]
11039	FLOAT	RD	A	Harmonic I Diff2	[39]

Measured values, type short, fourier analysis

Address	Format	RD/WR	Unit	Note	Index	Resolution
3536	SHORT	RD	V	Harmonic U L1	[0]	0,1
3537	SHORT	RD	V	Harmonic U L1	[1]	0,1
3538	SHORT	RD	V	Harmonic U L1	[2]	0,1
3539	SHORT	RD	V	Harmonic U L1	[3]	0,1
3540	SHORT	RD	V	Harmonic U L1	[4]	0,1
3541	SHORT	RD	V	Harmonic U L1	[5]	0,1
3542	SHORT	RD	V	Harmonic U L1	[6]	0,1
3543	SHORT	RD	V	Harmonic U L1	[7]	0,1
3544	SHORT	RD	V	Harmonic U L1	[8]	0,1
3545	SHORT	RD	V	Harmonic U L1	[9]	0,1
3546	SHORT	RD	V	Harmonic U L1	[10]	0,1
3547	SHORT	RD	V	Harmonic U L1	[11]	0,1
3548	SHORT	RD	V	Harmonic U L1	[12]	0,1
3549	SHORT	RD	V	Harmonic U L1	[13]	0,1
3550	SHORT	RD	V	Harmonic U L1	[14]	0,1
3551	SHORT	RD	V	Harmonic U L1	[15]	0,1
3552	SHORT	RD	V	Harmonic U L1	[16]	0,1
3553	SHORT	RD	V	Harmonic U L1	[17]	0,1
3554	SHORT	RD	V	Harmonic U L1	[18]	0,1
3555	SHORT	RD	V	Harmonic U L1	[19]	0,1
3556	SHORT	RD	V	Harmonic U L1	[20]	0,1
3557	SHORT	RD	V	Harmonic U L1	[21]	0,1
3558	SHORT	RD	V	Harmonic U L1	[22]	0,1
3559	SHORT	RD	V	Harmonic U L1	[23]	0,1
3560	SHORT	RD	V	Harmonic U L1	[24]	0,1
3561	SHORT	RD	V	Harmonic U L1	[25]	0,1
3562	SHORT	RD	V	Harmonic U L1	[26]	0,1
3563	SHORT	RD	V	Harmonic U L1	[27]	0,1
3564	SHORT	RD	V	Harmonic U L1	[28]	0,1
3565	SHORT	RD	V	Harmonic U L1	[29]	0,1
3566	SHORT	RD	V	Harmonic U L1	[30]	0,1
3567	SHORT	RD	V	Harmonic U L1	[31]	0,1
3568	SHORT	RD	V	Harmonic U L1	[32]	0,1
3569	SHORT	RD	V	Harmonic U L1	[33]	0,1
3570	SHORT	RD	V	Harmonic U L1	[34]	0,1
3571	SHORT	RD	V	Harmonic U L1	[35]	0,1
3572	SHORT	RD	V	Harmonic U L1	[36]	0,1
3573	SHORT	RD	V	Harmonic U L1	[37]	0,1
3574	SHORT	RD	V	Harmonic U L1	[38]	0,1
3575	SHORT	RD	V	Harmonic U L1	[39]	0,1
3576	SHORT	RD	V	Harmonic U L2	[0]	0,1
3577	SHORT	RD	V	Harmonic U L2	[1]	0,1
3578	SHORT	RD	V	Harmonic U L2	[2]	0,1
3579	SHORT	RD	V	Harmonic U L2	[3]	0,1
3580	SHORT	RD	V	Harmonic U L2	[4]	0,1
3581	SHORT	RD	V	Harmonic U L2	[5]	0,1
3582	SHORT	RD	V	Harmonic U L2	[6]	0,1
3583	SHORT	RD	V	Harmonic U L2	[7]	0,1
3584	SHORT	RD	V	Harmonic U L2	[8]	0,1
3585	SHORT	RD	V	Harmonic U L2	[9]	0,1
3586	SHORT	RD	V	Harmonic U L2	[10]	0,1
3587	SHORT	RD	V	Harmonic U L2	[11]	0,1
3588	SHORT	RD	V	Harmonic U L2	[12]	0,1
3589	SHORT	RD	V	Harmonic U L2	[13]	0,1
3590	SHORT	RD	V	Harmonic U L2	[14]	0,1
3591	SHORT	RD	V	Harmonic U L2	[15]	0,1
3592	SHORT	RD	V	Harmonic U L2	[16]	0,1
3593	SHORT	RD	V	Harmonic U L2	[17]	0,1
3594	SHORT	RD	V	Harmonic U L2	[18]	0,1
3595	SHORT	RD	V	Harmonic U L2	[19]	0,1
3596	SHORT	RD	V	Harmonic U L2	[20]	0,1
3597	SHORT	RD	V	Harmonic U L2	[21]	0,1
3598	SHORT	RD	V	Harmonic U L2	[22]	0,1
3599	SHORT	RD	V	Harmonic U L2	[23]	0,1
3600	SHORT	RD	V	Harmonic U L2	[24]	0,1
3601	SHORT	RD	V	Harmonic U L2	[25]	0,1

Address	Format	RD/WR	Unit	Note	Index	Resolution
3602	SHORT	RD	V	Harmonic U L2	[26]	0,1
3603	SHORT	RD	V	Harmonic U L2	[27]	0,1
3604	SHORT	RD	V	Harmonic U L2	[28]	0,1
3605	SHORT	RD	V	Harmonic U L2	[29]	0,1
3606	SHORT	RD	V	Harmonic U L2	[30]	0,1
3607	SHORT	RD	V	Harmonic U L2	[31]	0,1
3608	SHORT	RD	V	Harmonic U L2	[32]	0,1
3609	SHORT	RD	V	Harmonic U L2	[33]	0,1
3610	SHORT	RD	V	Harmonic U L2	[34]	0,1
3611	SHORT	RD	V	Harmonic U L2	[35]	0,1
3612	SHORT	RD	V	Harmonic U L2	[36]	0,1
3613	SHORT	RD	V	Harmonic U L2	[37]	0,1
3614	SHORT	RD	V	Harmonic U L2	[38]	0,1
3615	SHORT	RD	V	Harmonic U L2	[39]	0,1
3616	SHORT	RD	V	Harmonic U L3	[0]	0,1
3617	SHORT	RD	V	Harmonic U L3	[1]	0,1
3618	SHORT	RD	V	Harmonic U L3	[2]	0,1
3619	SHORT	RD	V	Harmonic U L3	[3]	0,1
3620	SHORT	RD	V	Harmonic U L3	[4]	0,1
3621	SHORT	RD	V	Harmonic U L3	[5]	0,1
3622	SHORT	RD	V	Harmonic U L3	[6]	0,1
3623	SHORT	RD	V	Harmonic U L3	[7]	0,1
3624	SHORT	RD	V	Harmonic U L3	[8]	0,1
3625	SHORT	RD	V	Harmonic U L3	[9]	0,1
3626	SHORT	RD	V	Harmonic U L3	[10]	0,1
3627	SHORT	RD	V	Harmonic U L3	[11]	0,1
3628	SHORT	RD	V	Harmonic U L3	[12]	0,1
3629	SHORT	RD	V	Harmonic U L3	[13]	0,1
3630	SHORT	RD	V	Harmonic U L3	[14]	0,1
3631	SHORT	RD	V	Harmonic U L3	[15]	0,1
3632	SHORT	RD	V	Harmonic U L3	[16]	0,1
3633	SHORT	RD	V	Harmonic U L3	[17]	0,1
3634	SHORT	RD	V	Harmonic U L3	[18]	0,1
3635	SHORT	RD	V	Harmonic U L3	[19]	0,1
3636	SHORT	RD	V	Harmonic U L3	[20]	0,1
3637	SHORT	RD	V	Harmonic U L3	[21]	0,1
3638	SHORT	RD	V	Harmonic U L3	[22]	0,1
3639	SHORT	RD	V	Harmonic U L3	[23]	0,1
3640	SHORT	RD	V	Harmonic U L3	[24]	0,1
3641	SHORT	RD	V	Harmonic U L3	[25]	0,1
3642	SHORT	RD	V	Harmonic U L3	[26]	0,1
3643	SHORT	RD	V	Harmonic U L3	[27]	0,1
3644	SHORT	RD	V	Harmonic U L3	[28]	0,1
3645	SHORT	RD	V	Harmonic U L3	[29]	0,1
3646	SHORT	RD	V	Harmonic U L3	[30]	0,1
3647	SHORT	RD	V	Harmonic U L3	[31]	0,1
3648	SHORT	RD	V	Harmonic U L3	[32]	0,1
3649	SHORT	RD	V	Harmonic U L3	[33]	0,1
3650	SHORT	RD	V	Harmonic U L3	[34]	0,1
3651	SHORT	RD	V	Harmonic U L3	[35]	0,1
3652	SHORT	RD	V	Harmonic U L3	[36]	0,1
3653	SHORT	RD	V	Harmonic U L3	[37]	0,1
3654	SHORT	RD	V	Harmonic U L3	[38]	0,1
3655	SHORT	RD	V	Harmonic U L3	[39]	0,1
3656	SHORT	RD	V	Harmonic U L1-L2	[0]	0,1
3657	SHORT	RD	V	Harmonic U L1-L2	[1]	0,1
3658	SHORT	RD	V	Harmonic U L1-L2	[2]	0,1
3659	SHORT	RD	V	Harmonic U L1-L2	[3]	0,1
3660	SHORT	RD	V	Harmonic U L1-L2	[4]	0,1
3661	SHORT	RD	V	Harmonic U L1-L2	[5]	0,1
3662	SHORT	RD	V	Harmonic U L1-L2	[6]	0,1
3663	SHORT	RD	V	Harmonic U L1-L2	[7]	0,1
3664	SHORT	RD	V	Harmonic U L1-L2	[8]	0,1
3665	SHORT	RD	V	Harmonic U L1-L2	[9]	0,1
3666	SHORT	RD	V	Harmonic U L1-L2	[10]	0,1
3667	SHORT	RD	V	Harmonic U L1-L2	[11]	0,1

Address	Format	RD/WR	Unit	Note	Index	Resolution
3668	SHORT	RD	V	Harmonic U L1-L2	[12]	0,1
3669	SHORT	RD	V	Harmonic U L1-L2	[13]	0,1
3670	SHORT	RD	V	Harmonic U L1-L2	[14]	0,1
3671	SHORT	RD	V	Harmonic U L1-L2	[15]	0,1
3672	SHORT	RD	V	Harmonic U L1-L2	[16]	0,1
3673	SHORT	RD	V	Harmonic U L1-L2	[17]	0,1
3674	SHORT	RD	V	Harmonic U L1-L2	[18]	0,1
3675	SHORT	RD	V	Harmonic U L1-L2	[19]	0,1
3676	SHORT	RD	V	Harmonic U L1-L2	[20]	0,1
3677	SHORT	RD	V	Harmonic U L1-L2	[21]	0,1
3678	SHORT	RD	V	Harmonic U L1-L2	[22]	0,1
3679	SHORT	RD	V	Harmonic U L1-L2	[23]	0,1
3680	SHORT	RD	V	Harmonic U L1-L2	[24]	0,1
3681	SHORT	RD	V	Harmonic U L1-L2	[25]	0,1
3682	SHORT	RD	V	Harmonic U L1-L2	[26]	0,1
3683	SHORT	RD	V	Harmonic U L1-L2	[27]	0,1
3684	SHORT	RD	V	Harmonic U L1-L2	[28]	0,1
3685	SHORT	RD	V	Harmonic U L1-L2	[29]	0,1
3686	SHORT	RD	V	Harmonic U L1-L2	[30]	0,1
3687	SHORT	RD	V	Harmonic U L1-L2	[31]	0,1
3688	SHORT	RD	V	Harmonic U L1-L2	[32]	0,1
3689	SHORT	RD	V	Harmonic U L1-L2	[33]	0,1
3690	SHORT	RD	V	Harmonic U L1-L2	[34]	0,1
3691	SHORT	RD	V	Harmonic U L1-L2	[35]	0,1
3692	SHORT	RD	V	Harmonic U L1-L2	[36]	0,1
3693	SHORT	RD	V	Harmonic U L1-L2	[37]	0,1
3694	SHORT	RD	V	Harmonic U L1-L2	[38]	0,1
3695	SHORT	RD	V	Harmonic U L1-L2	[39]	0,1
3696	SHORT	RD	V	Harmonic U L2-L3	[0]	0,1
3697	SHORT	RD	V	Harmonic U L2-L3	[1]	0,1
3698	SHORT	RD	V	Harmonic U L2-L3	[2]	0,1
3699	SHORT	RD	V	Harmonic U L2-L3	[3]	0,1
3700	SHORT	RD	V	Harmonic U L2-L3	[4]	0,1
3701	SHORT	RD	V	Harmonic U L2-L3	[5]	0,1
3702	SHORT	RD	V	Harmonic U L2-L3	[6]	0,1
3703	SHORT	RD	V	Harmonic U L2-L3	[7]	0,1
3704	SHORT	RD	V	Harmonic U L2-L3	[8]	0,1
3705	SHORT	RD	V	Harmonic U L2-L3	[9]	0,1
3706	SHORT	RD	V	Harmonic U L2-L3	[10]	0,1
3707	SHORT	RD	V	Harmonic U L2-L3	[11]	0,1
3708	SHORT	RD	V	Harmonic U L2-L3	[12]	0,1
3709	SHORT	RD	V	Harmonic U L2-L3	[13]	0,1
3710	SHORT	RD	V	Harmonic U L2-L3	[14]	0,1
3711	SHORT	RD	V	Harmonic U L2-L3	[15]	0,1
3712	SHORT	RD	V	Harmonic U L2-L3	[16]	0,1
3713	SHORT	RD	V	Harmonic U L2-L3	[17]	0,1
3714	SHORT	RD	V	Harmonic U L2-L3	[18]	0,1
3715	SHORT	RD	V	Harmonic U L2-L3	[19]	0,1
3716	SHORT	RD	V	Harmonic U L2-L3	[20]	0,1
3717	SHORT	RD	V	Harmonic U L2-L3	[21]	0,1
3718	SHORT	RD	V	Harmonic U L2-L3	[22]	0,1
3719	SHORT	RD	V	Harmonic U L2-L3	[23]	0,1
3720	SHORT	RD	V	Harmonic U L2-L3	[24]	0,1
3721	SHORT	RD	V	Harmonic U L2-L3	[25]	0,1
3722	SHORT	RD	V	Harmonic U L2-L3	[26]	0,1
3723	SHORT	RD	V	Harmonic U L2-L3	[27]	0,1
3724	SHORT	RD	V	Harmonic U L2-L3	[28]	0,1
3725	SHORT	RD	V	Harmonic U L2-L3	[29]	0,1
3726	SHORT	RD	V	Harmonic U L2-L3	[30]	0,1
3727	SHORT	RD	V	Harmonic U L2-L3	[31]	0,1
3728	SHORT	RD	V	Harmonic U L2-L3	[32]	0,1
3729	SHORT	RD	V	Harmonic U L2-L3	[33]	0,1
3730	SHORT	RD	V	Harmonic U L2-L3	[34]	0,1
3731	SHORT	RD	V	Harmonic U L2-L3	[35]	0,1
3732	SHORT	RD	V	Harmonic U L2-L3	[36]	0,1
3733	SHORT	RD	V	Harmonic U L2-L3	[37]	0,1

Address	Format	RD/WR	Unit	Note	Index	Resolution
3734	SHORT	RD	V	Harmonic U L2-L3	[38]	0,1
3735	SHORT	RD	V	Harmonic U L2-L3	[39]	0,1
3736	SHORT	RD	V	Harmonic U L3-L1	[0]	0,1
3737	SHORT	RD	V	Harmonic U L3-L1	[1]	0,1
3738	SHORT	RD	V	Harmonic U L3-L1	[2]	0,1
3739	SHORT	RD	V	Harmonic U L3-L1	[3]	0,1
3740	SHORT	RD	V	Harmonic U L3-L1	[4]	0,1
3741	SHORT	RD	V	Harmonic U L3-L1	[5]	0,1
3742	SHORT	RD	V	Harmonic U L3-L1	[6]	0,1
3743	SHORT	RD	V	Harmonic U L3-L1	[7]	0,1
3744	SHORT	RD	V	Harmonic U L3-L1	[8]	0,1
3745	SHORT	RD	V	Harmonic U L3-L1	[9]	0,1
3746	SHORT	RD	V	Harmonic U L3-L1	[10]	0,1
3747	SHORT	RD	V	Harmonic U L3-L1	[11]	0,1
3748	SHORT	RD	V	Harmonic U L3-L1	[12]	0,1
3749	SHORT	RD	V	Harmonic U L3-L1	[13]	0,1
3750	SHORT	RD	V	Harmonic U L3-L1	[14]	0,1
3751	SHORT	RD	V	Harmonic U L3-L1	[15]	0,1
3752	SHORT	RD	V	Harmonic U L3-L1	[16]	0,1
3753	SHORT	RD	V	Harmonic U L3-L1	[17]	0,1
3754	SHORT	RD	V	Harmonic U L3-L1	[18]	0,1
3755	SHORT	RD	V	Harmonic U L3-L1	[19]	0,1
3756	SHORT	RD	V	Harmonic U L3-L1	[20]	0,1
3757	SHORT	RD	V	Harmonic U L3-L1	[21]	0,1
3758	SHORT	RD	V	Harmonic U L3-L1	[22]	0,1
3759	SHORT	RD	V	Harmonic U L3-L1	[23]	0,1
3760	SHORT	RD	V	Harmonic U L3-L1	[24]	0,1
3761	SHORT	RD	V	Harmonic U L3-L1	[25]	0,1
3762	SHORT	RD	V	Harmonic U L3-L1	[26]	0,1
3763	SHORT	RD	V	Harmonic U L3-L1	[27]	0,1
3764	SHORT	RD	V	Harmonic U L3-L1	[28]	0,1
3765	SHORT	RD	V	Harmonic U L3-L1	[29]	0,1
3766	SHORT	RD	V	Harmonic U L3-L1	[30]	0,1
3767	SHORT	RD	V	Harmonic U L3-L1	[31]	0,1
3768	SHORT	RD	V	Harmonic U L3-L1	[32]	0,1
3769	SHORT	RD	V	Harmonic U L3-L1	[33]	0,1
3770	SHORT	RD	V	Harmonic U L3-L1	[34]	0,1
3771	SHORT	RD	V	Harmonic U L3-L1	[35]	0,1
3772	SHORT	RD	V	Harmonic U L3-L1	[36]	0,1
3773	SHORT	RD	V	Harmonic U L3-L1	[37]	0,1
3774	SHORT	RD	V	Harmonic U L3-L1	[38]	0,1
3775	SHORT	RD	V	Harmonic U L3-L1	[39]	0,1
3796	SHORT	RD	mA	Harmonic I L1	[0]	1
3797	SHORT	RD	mA	Harmonic I L1	[1]	1
3798	SHORT	RD	mA	Harmonic I L1	[2]	1
3799	SHORT	RD	mA	Harmonic I L1	[3]	1
3800	SHORT	RD	mA	Harmonic I L1	[4]	1
3801	SHORT	RD	mA	Harmonic I L1	[5]	1
3802	SHORT	RD	mA	Harmonic I L1	[6]	1
3803	SHORT	RD	mA	Harmonic I L1	[7]	1
3804	SHORT	RD	mA	Harmonic I L1	[8]	1
3805	SHORT	RD	mA	Harmonic I L1	[9]	1
3806	SHORT	RD	mA	Harmonic I L1	[10]	1
3807	SHORT	RD	mA	Harmonic I L1	[11]	1
3808	SHORT	RD	mA	Harmonic I L1	[12]	1
3809	SHORT	RD	mA	Harmonic I L1	[13]	1
3810	SHORT	RD	mA	Harmonic I L1	[14]	1
3811	SHORT	RD	mA	Harmonic I L1	[15]	1
3812	SHORT	RD	mA	Harmonic I L1	[16]	1
3813	SHORT	RD	mA	Harmonic I L1	[17]	1
3814	SHORT	RD	mA	Harmonic I L1	[18]	1
3815	SHORT	RD	mA	Harmonic I L1	[19]	1
3816	SHORT	RD	mA	Harmonic I L1	[20]	1
3817	SHORT	RD	mA	Harmonic I L1	[21]	1
3818	SHORT	RD	mA	Harmonic I L1	[22]	1
3819	SHORT	RD	mA	Harmonic I L1	[23]	1

Address	Format	RD/WR	Unit	Note	Index	Resolution
3820	SHORT	RD	mA	Harmonic I L1	[24]	1
3821	SHORT	RD	mA	Harmonic I L1	[25]	1
3822	SHORT	RD	mA	Harmonic I L1	[26]	1
3823	SHORT	RD	mA	Harmonic I L1	[27]	1
3824	SHORT	RD	mA	Harmonic I L1	[28]	1
3825	SHORT	RD	mA	Harmonic I L1	[29]	1
3826	SHORT	RD	mA	Harmonic I L1	[30]	1
3827	SHORT	RD	mA	Harmonic I L1	[31]	1
3828	SHORT	RD	mA	Harmonic I L1	[32]	1
3829	SHORT	RD	mA	Harmonic I L1	[33]	1
3830	SHORT	RD	mA	Harmonic I L1	[34]	1
3831	SHORT	RD	mA	Harmonic I L1	[35]	1
3832	SHORT	RD	mA	Harmonic I L1	[36]	1
3833	SHORT	RD	mA	Harmonic I L1	[37]	1
3834	SHORT	RD	mA	Harmonic I L1	[38]	1
3835	SHORT	RD	mA	Harmonic I L1	[39]	1
3836	SHORT	RD	mA	Harmonic I L2	[0]	1
3837	SHORT	RD	mA	Harmonic I L2	[1]	1
3838	SHORT	RD	mA	Harmonic I L2	[2]	1
3839	SHORT	RD	mA	Harmonic I L2	[3]	1
3840	SHORT	RD	mA	Harmonic I L2	[4]	1
3841	SHORT	RD	mA	Harmonic I L2	[5]	1
3842	SHORT	RD	mA	Harmonic I L2	[6]	1
3843	SHORT	RD	mA	Harmonic I L2	[7]	1
3844	SHORT	RD	mA	Harmonic I L2	[8]	1
3845	SHORT	RD	mA	Harmonic I L2	[9]	1
3846	SHORT	RD	mA	Harmonic I L2	[10]	1
3847	SHORT	RD	mA	Harmonic I L2	[11]	1
3848	SHORT	RD	mA	Harmonic I L2	[12]	1
3849	SHORT	RD	mA	Harmonic I L2	[13]	1
3850	SHORT	RD	mA	Harmonic I L2	[14]	1
3851	SHORT	RD	mA	Harmonic I L2	[15]	1
3852	SHORT	RD	mA	Harmonic I L2	[16]	1
3853	SHORT	RD	mA	Harmonic I L2	[17]	1
3854	SHORT	RD	mA	Harmonic I L2	[18]	1
3855	SHORT	RD	mA	Harmonic I L2	[19]	1
3856	SHORT	RD	mA	Harmonic I L2	[20]	1
3857	SHORT	RD	mA	Harmonic I L2	[21]	1
3858	SHORT	RD	mA	Harmonic I L2	[22]	1
3859	SHORT	RD	mA	Harmonic I L2	[23]	1
3860	SHORT	RD	mA	Harmonic I L2	[24]	1
3861	SHORT	RD	mA	Harmonic I L2	[25]	1
3862	SHORT	RD	mA	Harmonic I L2	[26]	1
3863	SHORT	RD	mA	Harmonic I L2	[27]	1
3864	SHORT	RD	mA	Harmonic I L2	[28]	1
3865	SHORT	RD	mA	Harmonic I L2	[29]	1
3866	SHORT	RD	mA	Harmonic I L2	[30]	1
3867	SHORT	RD	mA	Harmonic I L2	[31]	1
3868	SHORT	RD	mA	Harmonic I L2	[32]	1
3869	SHORT	RD	mA	Harmonic I L2	[33]	1
3870	SHORT	RD	mA	Harmonic I L2	[34]	1
3871	SHORT	RD	mA	Harmonic I L2	[35]	1
3872	SHORT	RD	mA	Harmonic I L2	[36]	1
3873	SHORT	RD	mA	Harmonic I L2	[37]	1
3874	SHORT	RD	mA	Harmonic I L2	[38]	1
3875	SHORT	RD	mA	Harmonic I L2	[39]	1
3876	SHORT	RD	mA	Harmonic I L3	[0]	1
3877	SHORT	RD	mA	Harmonic I L3	[1]	1
3878	SHORT	RD	mA	Harmonic I L3	[2]	1
3879	SHORT	RD	mA	Harmonic I L3	[3]	1
3880	SHORT	RD	mA	Harmonic I L3	[4]	1
3881	SHORT	RD	mA	Harmonic I L3	[5]	1
3882	SHORT	RD	mA	Harmonic I L3	[6]	1
3883	SHORT	RD	mA	Harmonic I L3	[7]	1
3884	SHORT	RD	mA	Harmonic I L3	[8]	1
3885	SHORT	RD	mA	Harmonic I L3	[9]	1

Address	Format	RD/WR	Unit	Note	Index	Resolution
3886	SHORT	RD	mA	Harmonic I L3	[10]	1
3887	SHORT	RD	mA	Harmonic I L3	[11]	1
3888	SHORT	RD	mA	Harmonic I L3	[12]	1
3889	SHORT	RD	mA	Harmonic I L3	[13]	1
3890	SHORT	RD	mA	Harmonic I L3	[14]	1
3891	SHORT	RD	mA	Harmonic I L3	[15]	1
3892	SHORT	RD	mA	Harmonic I L3	[16]	1
3893	SHORT	RD	mA	Harmonic I L3	[17]	1
3894	SHORT	RD	mA	Harmonic I L3	[18]	1
3895	SHORT	RD	mA	Harmonic I L3	[19]	1
3896	SHORT	RD	mA	Harmonic I L3	[20]	1
3897	SHORT	RD	mA	Harmonic I L3	[21]	1
3898	SHORT	RD	mA	Harmonic I L3	[22]	1
3899	SHORT	RD	mA	Harmonic I L3	[23]	1
3900	SHORT	RD	mA	Harmonic I L3	[24]	1
3901	SHORT	RD	mA	Harmonic I L3	[25]	1
3902	SHORT	RD	mA	Harmonic I L3	[26]	1
3903	SHORT	RD	mA	Harmonic I L3	[27]	1
3904	SHORT	RD	mA	Harmonic I L3	[28]	1
3905	SHORT	RD	mA	Harmonic I L3	[29]	1
3906	SHORT	RD	mA	Harmonic I L3	[30]	1
3907	SHORT	RD	mA	Harmonic I L3	[31]	1
3908	SHORT	RD	mA	Harmonic I L3	[32]	1
3909	SHORT	RD	mA	Harmonic I L3	[33]	1
3910	SHORT	RD	mA	Harmonic I L3	[34]	1
3911	SHORT	RD	mA	Harmonic I L3	[35]	1
3912	SHORT	RD	mA	Harmonic I L3	[36]	1
3913	SHORT	RD	mA	Harmonic I L3	[37]	1
3914	SHORT	RD	mA	Harmonic I L3	[38]	1
3915	SHORT	RD	mA	Harmonic I L3	[39]	1
10730	SHORT	RD	mA	Harmonic I L4	[0]	1
10731	SHORT	RD	mA	Harmonic I L4	[1]	1
10732	SHORT	RD	mA	Harmonic I L4	[2]	1
10733	SHORT	RD	mA	Harmonic I L4	[3]	1
10734	SHORT	RD	mA	Harmonic I L4	[4]	1
10735	SHORT	RD	mA	Harmonic I L4	[5]	1
10736	SHORT	RD	mA	Harmonic I L4	[6]	1
10737	SHORT	RD	mA	Harmonic I L4	[7]	1
10738	SHORT	RD	mA	Harmonic I L4	[8]	1
10739	SHORT	RD	mA	Harmonic I L4	[9]	1
10740	SHORT	RD	mA	Harmonic I L4	[10]	1
10741	SHORT	RD	mA	Harmonic I L4	[11]	1
10742	SHORT	RD	mA	Harmonic I L4	[12]	1
10743	SHORT	RD	mA	Harmonic I L4	[13]	1
10744	SHORT	RD	mA	Harmonic I L4	[14]	1
10745	SHORT	RD	mA	Harmonic I L4	[15]	1
10746	SHORT	RD	mA	Harmonic I L4	[16]	1
10747	SHORT	RD	mA	Harmonic I L4	[17]	1
10748	SHORT	RD	mA	Harmonic I L4	[18]	1
10749	SHORT	RD	mA	Harmonic I L4	[19]	1
10750	SHORT	RD	mA	Harmonic I L4	[20]	1
10751	SHORT	RD	mA	Harmonic I L4	[21]	1
10752	SHORT	RD	mA	Harmonic I L4	[22]	1
10753	SHORT	RD	mA	Harmonic I L4	[23]	1
10754	SHORT	RD	mA	Harmonic I L4	[24]	1
10755	SHORT	RD	mA	Harmonic I L4	[25]	1
10756	SHORT	RD	mA	Harmonic I L4	[26]	1
10757	SHORT	RD	mA	Harmonic I L4	[27]	1
10758	SHORT	RD	mA	Harmonic I L4	[28]	1
10759	SHORT	RD	mA	Harmonic I L4	[29]	1
10760	SHORT	RD	mA	Harmonic I L4	[30]	1
10761	SHORT	RD	mA	Harmonic I L4	[31]	1
10762	SHORT	RD	mA	Harmonic I L4	[32]	1
10763	SHORT	RD	mA	Harmonic I L4	[33]	1
10764	SHORT	RD	mA	Harmonic I L4	[34]	1

Address	Format	RD/WR	Unit	Note	Index	Resolution
10765	SHORT	RD	mA	Harmonic I L4	[35]	1
10766	SHORT	RD	mA	Harmonic I L4	[36]	1
10767	SHORT	RD	mA	Harmonic I L4	[37]	1
10768	SHORT	RD	mA	Harmonic I L4	[38]	1
10769	SHORT	RD	mA	Harmonic I L4	[39]	1
11281	SHORT	RD	mA	Harmonic I Diff1	[0]	1
11282	SHORT	RD	mA	Harmonic I Diff1	[1]	1
11283	SHORT	RD	mA	Harmonic I Diff1	[2]	1
11284	SHORT	RD	mA	Harmonic I Diff1	[3]	1
11285	SHORT	RD	mA	Harmonic I Diff1	[4]	1
11286	SHORT	RD	mA	Harmonic I Diff1	[5]	1
11287	SHORT	RD	mA	Harmonic I Diff1	[6]	1
11288	SHORT	RD	mA	Harmonic I Diff1	[7]	1
11289	SHORT	RD	mA	Harmonic I Diff1	[8]	1
11290	SHORT	RD	mA	Harmonic I Diff1	[9]	1
11291	SHORT	RD	mA	Harmonic I Diff1	[10]	1
11292	SHORT	RD	mA	Harmonic I Diff1	[11]	1
11293	SHORT	RD	mA	Harmonic I Diff1	[12]	1
11294	SHORT	RD	mA	Harmonic I Diff1	[13]	1
11295	SHORT	RD	mA	Harmonic I Diff1	[14]	1
11296	SHORT	RD	mA	Harmonic I Diff1	[15]	1
11297	SHORT	RD	mA	Harmonic I Diff1	[16]	1
11298	SHORT	RD	mA	Harmonic I Diff1	[17]	1
11299	SHORT	RD	mA	Harmonic I Diff1	[18]	1
11300	SHORT	RD	mA	Harmonic I Diff1	[19]	1
11301	SHORT	RD	mA	Harmonic I Diff1	[20]	1
11302	SHORT	RD	mA	Harmonic I Diff1	[21]	1
11303	SHORT	RD	mA	Harmonic I Diff1	[22]	1
11304	SHORT	RD	mA	Harmonic I Diff1	[23]	1
11305	SHORT	RD	mA	Harmonic I Diff1	[24]	1
11306	SHORT	RD	mA	Harmonic I Diff1	[25]	1
11307	SHORT	RD	mA	Harmonic I Diff1	[26]	1
11308	SHORT	RD	mA	Harmonic I Diff1	[27]	1
11309	SHORT	RD	mA	Harmonic I Diff1	[28]	1
11310	SHORT	RD	mA	Harmonic I Diff1	[29]	1
11311	SHORT	RD	mA	Harmonic I Diff1	[30]	1
11312	SHORT	RD	mA	Harmonic I Diff1	[31]	1
11313	SHORT	RD	mA	Harmonic I Diff1	[32]	1
11314	SHORT	RD	mA	Harmonic I Diff1	[33]	1
11315	SHORT	RD	mA	Harmonic I Diff1	[34]	1
11316	SHORT	RD	mA	Harmonic I Diff1	[35]	1
11317	SHORT	RD	mA	Harmonic I Diff1	[36]	1
11318	SHORT	RD	mA	Harmonic I Diff1	[37]	1
11319	SHORT	RD	mA	Harmonic I Diff1	[38]	1
11320	SHORT	RD	mA	Harmonic I Diff1	[39]	1
11321	SHORT	RD	mA	Harmonic I Diff2	[0]	1
11322	SHORT	RD	mA	Harmonic I Diff2	[1]	1
11323	SHORT	RD	mA	Harmonic I Diff2	[2]	1
11324	SHORT	RD	mA	Harmonic I Diff2	[3]	1
11325	SHORT	RD	mA	Harmonic I Diff2	[4]	1
11326	SHORT	RD	mA	Harmonic I Diff2	[5]	1
11327	SHORT	RD	mA	Harmonic I Diff2	[6]	1
11328	SHORT	RD	mA	Harmonic I Diff2	[7]	1
11329	SHORT	RD	mA	Harmonic I Diff2	[8]	1
11330	SHORT	RD	mA	Harmonic I Diff2	[9]	1
11331	SHORT	RD	mA	Harmonic I Diff2	[10]	1
11332	SHORT	RD	mA	Harmonic I Diff2	[11]	1
11333	SHORT	RD	mA	Harmonic I Diff2	[12]	1
11334	SHORT	RD	mA	Harmonic I Diff2	[13]	1
11335	SHORT	RD	mA	Harmonic I Diff2	[14]	1
11336	SHORT	RD	mA	Harmonic I Diff2	[15]	1
11337	SHORT	RD	mA	Harmonic I Diff2	[16]	1
11338	SHORT	RD	mA	Harmonic I Diff2	[17]	1
11339	SHORT	RD	mA	Harmonic I Diff2	[18]	1
11340	SHORT	RD	mA	Harmonic I Diff2	[19]	1

Address	Format	RD/WR	Unit	Note	Index	Resolution
11341	SHORT	RD	mA	Harmonic I Diff2	[20]	1
11342	SHORT	RD	mA	Harmonic I Diff2	[21]	1
11343	SHORT	RD	mA	Harmonic I Diff2	[22]	1
11344	SHORT	RD	mA	Harmonic I Diff2	[23]	1
11345	SHORT	RD	mA	Harmonic I Diff2	[24]	1
11346	SHORT	RD	mA	Harmonic I Diff2	[25]	1
11347	SHORT	RD	mA	Harmonic I Diff2	[26]	1
11348	SHORT	RD	mA	Harmonic I Diff2	[27]	1
11349	SHORT	RD	mA	Harmonic I Diff2	[28]	1
11350	SHORT	RD	mA	Harmonic I Diff2	[29]	1
11351	SHORT	RD	mA	Harmonic I Diff2	[30]	1
11352	SHORT	RD	mA	Harmonic I Diff2	[31]	1
11353	SHORT	RD	mA	Harmonic I Diff2	[32]	1
11354	SHORT	RD	mA	Harmonic I Diff2	[33]	1
11355	SHORT	RD	mA	Harmonic I Diff2	[34]	1
11356	SHORT	RD	mA	Harmonic I Diff2	[35]	1
11357	SHORT	RD	mA	Harmonic I Diff2	[36]	1
11358	SHORT	RD	mA	Harmonic I Diff2	[37]	1
11359	SHORT	RD	mA	Harmonic I Diff2	[38]	1
11360	SHORT	RD	mA	Harmonic I Diff2	[39]	1

Mean values, type float, fourier analysis

Address	Format	RD/WR	Unit	Note	Index
1740	FLOAT	RD	V	Average, Harmonic U L1	[0]
1742	FLOAT	RD	V	Average, Harmonic U L1	[1]
1744	FLOAT	RD	V	Average, Harmonic U L1	[2]
1746	FLOAT	RD	V	Average, Harmonic U L1	[3]
1748	FLOAT	RD	V	Average, Harmonic U L1	[4]
1750	FLOAT	RD	V	Average, Harmonic U L1	[5]
1752	FLOAT	RD	V	Average, Harmonic U L1	[6]
1754	FLOAT	RD	V	Average, Harmonic U L1	[7]
1756	FLOAT	RD	V	Average, Harmonic U L1	[8]
1758	FLOAT	RD	V	Average, Harmonic U L1	[9]
1760	FLOAT	RD	V	Average, Harmonic U L1	[10]
1762	FLOAT	RD	V	Average, Harmonic U L1	[11]
1764	FLOAT	RD	V	Average, Harmonic U L1	[12]
1766	FLOAT	RD	V	Average, Harmonic U L1	[13]
1768	FLOAT	RD	V	Average, Harmonic U L1	[14]
1770	FLOAT	RD	V	Average, Harmonic U L1	[15]
1772	FLOAT	RD	V	Average, Harmonic U L1	[16]
1774	FLOAT	RD	V	Average, Harmonic U L1	[17]
1776	FLOAT	RD	V	Average, Harmonic U L1	[18]
1778	FLOAT	RD	V	Average, Harmonic U L1	[19]
1780	FLOAT	RD	V	Average, Harmonic U L1	[20]
1782	FLOAT	RD	V	Average, Harmonic U L1	[21]
1784	FLOAT	RD	V	Average, Harmonic U L1	[22]
1786	FLOAT	RD	V	Average, Harmonic U L1	[23]
1788	FLOAT	RD	V	Average, Harmonic U L1	[24]
1790	FLOAT	RD	V	Average, Harmonic U L1	[25]
1792	FLOAT	RD	V	Average, Harmonic U L1	[26]
1794	FLOAT	RD	V	Average, Harmonic U L1	[27]
1796	FLOAT	RD	V	Average, Harmonic U L1	[28]
1798	FLOAT	RD	V	Average, Harmonic U L1	[29]
1800	FLOAT	RD	V	Average, Harmonic U L1	[30]
1802	FLOAT	RD	V	Average, Harmonic U L1	[31]
1804	FLOAT	RD	V	Average, Harmonic U L1	[32]
1806	FLOAT	RD	V	Average, Harmonic U L1	[33]
1808	FLOAT	RD	V	Average, Harmonic U L1	[34]
1810	FLOAT	RD	V	Average, Harmonic U L1	[35]
1812	FLOAT	RD	V	Average, Harmonic U L1	[36]
1814	FLOAT	RD	V	Average, Harmonic U L1	[37]
1816	FLOAT	RD	V	Average, Harmonic U L1	[38]
1818	FLOAT	RD	V	Average, Harmonic U L1	[39]
1820	FLOAT	RD	V	Average, Harmonic U L2	[0]
1822	FLOAT	RD	V	Average, Harmonic U L2	[1]
1824	FLOAT	RD	V	Average, Harmonic U L2	[2]
1826	FLOAT	RD	V	Average, Harmonic U L2	[3]
1828	FLOAT	RD	V	Average, Harmonic U L2	[4]
1830	FLOAT	RD	V	Average, Harmonic U L2	[5]
1832	FLOAT	RD	V	Average, Harmonic U L2	[6]
1834	FLOAT	RD	V	Average, Harmonic U L2	[7]
1836	FLOAT	RD	V	Average, Harmonic U L2	[8]
1838	FLOAT	RD	V	Average, Harmonic U L2	[9]
1840	FLOAT	RD	V	Average, Harmonic U L2	[10]
1842	FLOAT	RD	V	Average, Harmonic U L2	[11]
1844	FLOAT	RD	V	Average, Harmonic U L2	[12]
1846	FLOAT	RD	V	Average, Harmonic U L2	[13]
1848	FLOAT	RD	V	Average, Harmonic U L2	[14]
1850	FLOAT	RD	V	Average, Harmonic U L2	[15]
1852	FLOAT	RD	V	Average, Harmonic U L2	[16]
1854	FLOAT	RD	V	Average, Harmonic U L2	[17]
1856	FLOAT	RD	V	Average, Harmonic U L2	[18]
1858	FLOAT	RD	V	Average, Harmonic U L2	[19]
1860	FLOAT	RD	V	Average, Harmonic U L2	[20]
1862	FLOAT	RD	V	Average, Harmonic U L2	[21]
1864	FLOAT	RD	V	Average, Harmonic U L2	[22]
1866	FLOAT	RD	V	Average, Harmonic U L2	[23]
1868	FLOAT	RD	V	Average, Harmonic U L2	[24]
1870	FLOAT	RD	V	Average, Harmonic U L2	[25]

Address	Format	RD/WR	Unit	Note	Index
1872	FLOAT	RD	V	Average, Harmonic U L2	[26]
1874	FLOAT	RD	V	Average, Harmonic U L2	[27]
1876	FLOAT	RD	V	Average, Harmonic U L2	[28]
1878	FLOAT	RD	V	Average, Harmonic U L2	[29]
1880	FLOAT	RD	V	Average, Harmonic U L2	[30]
1882	FLOAT	RD	V	Average, Harmonic U L2	[31]
1884	FLOAT	RD	V	Average, Harmonic U L2	[32]
1886	FLOAT	RD	V	Average, Harmonic U L2	[33]
1888	FLOAT	RD	V	Average, Harmonic U L2	[34]
1890	FLOAT	RD	V	Average, Harmonic U L2	[35]
1892	FLOAT	RD	V	Average, Harmonic U L2	[36]
1894	FLOAT	RD	V	Average, Harmonic U L2	[37]
1896	FLOAT	RD	V	Average, Harmonic U L2	[38]
1898	FLOAT	RD	V	Average, Harmonic U L2	[39]
1900	FLOAT	RD	V	Average, Harmonic U L3	[0]
1902	FLOAT	RD	V	Average, Harmonic U L3	[1]
1904	FLOAT	RD	V	Average, Harmonic U L3	[2]
1906	FLOAT	RD	V	Average, Harmonic U L3	[3]
1908	FLOAT	RD	V	Average, Harmonic U L3	[4]
1910	FLOAT	RD	V	Average, Harmonic U L3	[5]
1912	FLOAT	RD	V	Average, Harmonic U L3	[6]
1914	FLOAT	RD	V	Average, Harmonic U L3	[7]
1916	FLOAT	RD	V	Average, Harmonic U L3	[8]
1918	FLOAT	RD	V	Average, Harmonic U L3	[9]
1920	FLOAT	RD	V	Average, Harmonic U L3	[10]
1922	FLOAT	RD	V	Average, Harmonic U L3	[11]
1924	FLOAT	RD	V	Average, Harmonic U L3	[12]
1926	FLOAT	RD	V	Average, Harmonic U L3	[13]
1928	FLOAT	RD	V	Average, Harmonic U L3	[14]
1930	FLOAT	RD	V	Average, Harmonic U L3	[15]
1932	FLOAT	RD	V	Average, Harmonic U L3	[16]
1934	FLOAT	RD	V	Average, Harmonic U L3	[17]
1936	FLOAT	RD	V	Average, Harmonic U L3	[18]
1938	FLOAT	RD	V	Average, Harmonic U L3	[19]
1940	FLOAT	RD	V	Average, Harmonic U L3	[20]
1942	FLOAT	RD	V	Average, Harmonic U L3	[21]
1944	FLOAT	RD	V	Average, Harmonic U L3	[22]
1946	FLOAT	RD	V	Average, Harmonic U L3	[23]
1948	FLOAT	RD	V	Average, Harmonic U L3	[24]
1950	FLOAT	RD	V	Average, Harmonic U L3	[25]
1952	FLOAT	RD	V	Average, Harmonic U L3	[26]
1954	FLOAT	RD	V	Average, Harmonic U L3	[27]
1956	FLOAT	RD	V	Average, Harmonic U L3	[28]
1958	FLOAT	RD	V	Average, Harmonic U L3	[29]
1960	FLOAT	RD	V	Average, Harmonic U L3	[30]
1962	FLOAT	RD	V	Average, Harmonic U L3	[31]
1964	FLOAT	RD	V	Average, Harmonic U L3	[32]
1966	FLOAT	RD	V	Average, Harmonic U L3	[33]
1968	FLOAT	RD	V	Average, Harmonic U L3	[34]
1970	FLOAT	RD	V	Average, Harmonic U L3	[35]
1972	FLOAT	RD	V	Average, Harmonic U L3	[36]
1974	FLOAT	RD	V	Average, Harmonic U L3	[37]
1976	FLOAT	RD	V	Average, Harmonic U L3	[38]
1978	FLOAT	RD	V	Average, Harmonic U L3	[39]
1980	FLOAT	RD	V	Average, Harmonic U L1-L2	[0]
1982	FLOAT	RD	V	Average, Harmonic U L1-L2	[1]
1984	FLOAT	RD	V	Average, Harmonic U L1-L2	[2]
1986	FLOAT	RD	V	Average, Harmonic U L1-L2	[3]
1988	FLOAT	RD	V	Average, Harmonic U L1-L2	[4]
1990	FLOAT	RD	V	Average, Harmonic U L1-L2	[5]
1992	FLOAT	RD	V	Average, Harmonic U L1-L2	[6]
1994	FLOAT	RD	V	Average, Harmonic U L1-L2	[7]
1996	FLOAT	RD	V	Average, Harmonic U L1-L2	[8]
1998	FLOAT	RD	V	Average, Harmonic U L1-L2	[9]
2000	FLOAT	RD	V	Average, Harmonic U L1-L2	[10]
2002	FLOAT	RD	V	Average, Harmonic U L1-L2	[11]

Address	Format	RD/WR	Unit	Note	Index
2004	FLOAT	RD	V	Average, Harmonic U L1-L2	[12]
2006	FLOAT	RD	V	Average, Harmonic U L1-L2	[13]
2008	FLOAT	RD	V	Average, Harmonic U L1-L2	[14]
2010	FLOAT	RD	V	Average, Harmonic U L1-L2	[15]
2012	FLOAT	RD	V	Average, Harmonic U L1-L2	[16]
2014	FLOAT	RD	V	Average, Harmonic U L1-L2	[17]
2016	FLOAT	RD	V	Average, Harmonic U L1-L2	[18]
2018	FLOAT	RD	V	Average, Harmonic U L1-L2	[19]
2020	FLOAT	RD	V	Average, Harmonic U L1-L2	[20]
2022	FLOAT	RD	V	Average, Harmonic U L1-L2	[21]
2024	FLOAT	RD	V	Average, Harmonic U L1-L2	[22]
2026	FLOAT	RD	V	Average, Harmonic U L1-L2	[23]
2028	FLOAT	RD	V	Average, Harmonic U L1-L2	[24]
2030	FLOAT	RD	V	Average, Harmonic U L1-L2	[25]
2032	FLOAT	RD	V	Average, Harmonic U L1-L2	[26]
2034	FLOAT	RD	V	Average, Harmonic U L1-L2	[27]
2036	FLOAT	RD	V	Average, Harmonic U L1-L2	[28]
2038	FLOAT	RD	V	Average, Harmonic U L1-L2	[29]
2040	FLOAT	RD	V	Average, Harmonic U L1-L2	[30]
2042	FLOAT	RD	V	Average, Harmonic U L1-L2	[31]
2044	FLOAT	RD	V	Average, Harmonic U L1-L2	[32]
2046	FLOAT	RD	V	Average, Harmonic U L1-L2	[33]
2048	FLOAT	RD	V	Average, Harmonic U L1-L2	[34]
2050	FLOAT	RD	V	Average, Harmonic U L1-L2	[35]
2052	FLOAT	RD	V	Average, Harmonic U L1-L2	[36]
2054	FLOAT	RD	V	Average, Harmonic U L1-L2	[37]
2056	FLOAT	RD	V	Average, Harmonic U L1-L2	[38]
2058	FLOAT	RD	V	Average, Harmonic U L1-L2	[39]
2060	FLOAT	RD	V	Average, Harmonic U L2-L3	[0]
2062	FLOAT	RD	V	Average, Harmonic U L2-L3	[1]
2064	FLOAT	RD	V	Average, Harmonic U L2-L3	[2]
2066	FLOAT	RD	V	Average, Harmonic U L2-L3	[3]
2068	FLOAT	RD	V	Average, Harmonic U L2-L3	[4]
2070	FLOAT	RD	V	Average, Harmonic U L2-L3	[5]
2072	FLOAT	RD	V	Average, Harmonic U L2-L3	[6]
2074	FLOAT	RD	V	Average, Harmonic U L2-L3	[7]
2076	FLOAT	RD	V	Average, Harmonic U L2-L3	[8]
2078	FLOAT	RD	V	Average, Harmonic U L2-L3	[9]
2080	FLOAT	RD	V	Average, Harmonic U L2-L3	[10]
2082	FLOAT	RD	V	Average, Harmonic U L2-L3	[11]
2084	FLOAT	RD	V	Average, Harmonic U L2-L3	[12]
2086	FLOAT	RD	V	Average, Harmonic U L2-L3	[13]
2088	FLOAT	RD	V	Average, Harmonic U L2-L3	[14]
2090	FLOAT	RD	V	Average, Harmonic U L2-L3	[15]
2092	FLOAT	RD	V	Average, Harmonic U L2-L3	[16]
2094	FLOAT	RD	V	Average, Harmonic U L2-L3	[17]
2096	FLOAT	RD	V	Average, Harmonic U L2-L3	[18]
2098	FLOAT	RD	V	Average, Harmonic U L2-L3	[19]
2100	FLOAT	RD	V	Average, Harmonic U L2-L3	[20]
2102	FLOAT	RD	V	Average, Harmonic U L2-L3	[21]
2104	FLOAT	RD	V	Average, Harmonic U L2-L3	[22]
2106	FLOAT	RD	V	Average, Harmonic U L2-L3	[23]
2108	FLOAT	RD	V	Average, Harmonic U L2-L3	[24]
2110	FLOAT	RD	V	Average, Harmonic U L2-L3	[25]
2112	FLOAT	RD	V	Average, Harmonic U L2-L3	[26]
2114	FLOAT	RD	V	Average, Harmonic U L2-L3	[27]
2116	FLOAT	RD	V	Average, Harmonic U L2-L3	[28]
2118	FLOAT	RD	V	Average, Harmonic U L2-L3	[29]
2120	FLOAT	RD	V	Average, Harmonic U L2-L3	[30]
2122	FLOAT	RD	V	Average, Harmonic U L2-L3	[31]
2124	FLOAT	RD	V	Average, Harmonic U L2-L3	[32]
2126	FLOAT	RD	V	Average, Harmonic U L2-L3	[33]
2128	FLOAT	RD	V	Average, Harmonic U L2-L3	[34]
2130	FLOAT	RD	V	Average, Harmonic U L2-L3	[35]
2132	FLOAT	RD	V	Average, Harmonic U L2-L3	[36]
2134	FLOAT	RD	V	Average, Harmonic U L2-L3	[37]

Address	Format	RD/WR	Unit	Note	Index
2136	FLOAT	RD	V	Average, Harmonic U L2-L3	[38]
2138	FLOAT	RD	V	Average, Harmonic U L2-L3	[39]
2140	FLOAT	RD	V	Average, Harmonic U L3-L1	[0]
2142	FLOAT	RD	V	Average, Harmonic U L3-L1	[1]
2144	FLOAT	RD	V	Average, Harmonic U L3-L1	[2]
2146	FLOAT	RD	V	Average, Harmonic U L3-L1	[3]
2148	FLOAT	RD	V	Average, Harmonic U L3-L1	[4]
2150	FLOAT	RD	V	Average, Harmonic U L3-L1	[5]
2152	FLOAT	RD	V	Average, Harmonic U L3-L1	[6]
2154	FLOAT	RD	V	Average, Harmonic U L3-L1	[7]
2156	FLOAT	RD	V	Average, Harmonic U L3-L1	[8]
2158	FLOAT	RD	V	Average, Harmonic U L3-L1	[9]
2160	FLOAT	RD	V	Average, Harmonic U L3-L1	[10]
2162	FLOAT	RD	V	Average, Harmonic U L3-L1	[11]
2164	FLOAT	RD	V	Average, Harmonic U L3-L1	[12]
2166	FLOAT	RD	V	Average, Harmonic U L3-L1	[13]
2168	FLOAT	RD	V	Average, Harmonic U L3-L1	[14]
2170	FLOAT	RD	V	Average, Harmonic U L3-L1	[15]
2172	FLOAT	RD	V	Average, Harmonic U L3-L1	[16]
2174	FLOAT	RD	V	Average, Harmonic U L3-L1	[17]
2176	FLOAT	RD	V	Average, Harmonic U L3-L1	[18]
2178	FLOAT	RD	V	Average, Harmonic U L3-L1	[19]
2180	FLOAT	RD	V	Average, Harmonic U L3-L1	[20]
2182	FLOAT	RD	V	Average, Harmonic U L3-L1	[21]
2184	FLOAT	RD	V	Average, Harmonic U L3-L1	[22]
2186	FLOAT	RD	V	Average, Harmonic U L3-L1	[23]
2188	FLOAT	RD	V	Average, Harmonic U L3-L1	[24]
2190	FLOAT	RD	V	Average, Harmonic U L3-L1	[25]
2192	FLOAT	RD	V	Average, Harmonic U L3-L1	[26]
2194	FLOAT	RD	V	Average, Harmonic U L3-L1	[27]
2196	FLOAT	RD	V	Average, Harmonic U L3-L1	[28]
2198	FLOAT	RD	V	Average, Harmonic U L3-L1	[29]
2200	FLOAT	RD	V	Average, Harmonic U L3-L1	[30]
2202	FLOAT	RD	V	Average, Harmonic U L3-L1	[31]
2204	FLOAT	RD	V	Average, Harmonic U L3-L1	[32]
2206	FLOAT	RD	V	Average, Harmonic U L3-L1	[33]
2208	FLOAT	RD	V	Average, Harmonic U L3-L1	[34]
2210	FLOAT	RD	V	Average, Harmonic U L3-L1	[35]
2212	FLOAT	RD	V	Average, Harmonic U L3-L1	[36]
2214	FLOAT	RD	V	Average, Harmonic U L3-L1	[37]
2216	FLOAT	RD	V	Average, Harmonic U L3-L1	[38]
2218	FLOAT	RD	V	Average, Harmonic U L3-L1	[39]
2260	FLOAT	RD	A	Average, Harmonic I L1	[0]
2262	FLOAT	RD	A	Average, Harmonic I L1	[1]
2264	FLOAT	RD	A	Average, Harmonic I L1	[2]
2266	FLOAT	RD	A	Average, Harmonic I L1	[3]
2268	FLOAT	RD	A	Average, Harmonic I L1	[4]
2270	FLOAT	RD	A	Average, Harmonic I L1	[5]
2272	FLOAT	RD	A	Average, Harmonic I L1	[6]
2274	FLOAT	RD	A	Average, Harmonic I L1	[7]
2276	FLOAT	RD	A	Average, Harmonic I L1	[8]
2278	FLOAT	RD	A	Average, Harmonic I L1	[9]
2280	FLOAT	RD	A	Average, Harmonic I L1	[10]
2282	FLOAT	RD	A	Average, Harmonic I L1	[11]
2284	FLOAT	RD	A	Average, Harmonic I L1	[12]
2286	FLOAT	RD	A	Average, Harmonic I L1	[13]
2288	FLOAT	RD	A	Average, Harmonic I L1	[14]
2290	FLOAT	RD	A	Average, Harmonic I L1	[15]
2292	FLOAT	RD	A	Average, Harmonic I L1	[16]
2294	FLOAT	RD	A	Average, Harmonic I L1	[17]
2296	FLOAT	RD	A	Average, Harmonic I L1	[18]
2298	FLOAT	RD	A	Average, Harmonic I L1	[19]
2300	FLOAT	RD	A	Average, Harmonic I L1	[20]
2302	FLOAT	RD	A	Average, Harmonic I L1	[21]
2304	FLOAT	RD	A	Average, Harmonic I L1	[22]
2306	FLOAT	RD	A	Average, Harmonic I L1	[23]

Address	Format	RD/WR	Unit	Note	Index
2308	FLOAT	RD	A	Average, Harmonic I L1	[24]
2310	FLOAT	RD	A	Average, Harmonic I L1	[25]
2312	FLOAT	RD	A	Average, Harmonic I L1	[26]
2314	FLOAT	RD	A	Average, Harmonic I L1	[27]
2316	FLOAT	RD	A	Average, Harmonic I L1	[28]
2318	FLOAT	RD	A	Average, Harmonic I L1	[29]
2320	FLOAT	RD	A	Average, Harmonic I L1	[30]
2322	FLOAT	RD	A	Average, Harmonic I L1	[31]
2324	FLOAT	RD	A	Average, Harmonic I L1	[32]
2326	FLOAT	RD	A	Average, Harmonic I L1	[33]
2328	FLOAT	RD	A	Average, Harmonic I L1	[34]
2330	FLOAT	RD	A	Average, Harmonic I L1	[35]
2332	FLOAT	RD	A	Average, Harmonic I L1	[36]
2334	FLOAT	RD	A	Average, Harmonic I L1	[37]
2336	FLOAT	RD	A	Average, Harmonic I L1	[38]
2338	FLOAT	RD	A	Average, Harmonic I L1	[39]
2340	FLOAT	RD	A	Average, Harmonic I L2	[0]
2342	FLOAT	RD	A	Average, Harmonic I L2	[1]
2344	FLOAT	RD	A	Average, Harmonic I L2	[2]
2346	FLOAT	RD	A	Average, Harmonic I L2	[3]
2348	FLOAT	RD	A	Average, Harmonic I L2	[4]
2350	FLOAT	RD	A	Average, Harmonic I L2	[5]
2352	FLOAT	RD	A	Average, Harmonic I L2	[6]
2354	FLOAT	RD	A	Average, Harmonic I L2	[7]
2356	FLOAT	RD	A	Average, Harmonic I L2	[8]
2358	FLOAT	RD	A	Average, Harmonic I L2	[9]
2360	FLOAT	RD	A	Average, Harmonic I L2	[10]
2362	FLOAT	RD	A	Average, Harmonic I L2	[11]
2364	FLOAT	RD	A	Average, Harmonic I L2	[12]
2366	FLOAT	RD	A	Average, Harmonic I L2	[13]
2368	FLOAT	RD	A	Average, Harmonic I L2	[14]
2370	FLOAT	RD	A	Average, Harmonic I L2	[15]
2372	FLOAT	RD	A	Average, Harmonic I L2	[16]
2374	FLOAT	RD	A	Average, Harmonic I L2	[17]
2376	FLOAT	RD	A	Average, Harmonic I L2	[18]
2378	FLOAT	RD	A	Average, Harmonic I L2	[19]
2380	FLOAT	RD	A	Average, Harmonic I L2	[20]
2382	FLOAT	RD	A	Average, Harmonic I L2	[21]
2384	FLOAT	RD	A	Average, Harmonic I L2	[22]
2386	FLOAT	RD	A	Average, Harmonic I L2	[23]
2388	FLOAT	RD	A	Average, Harmonic I L2	[24]
2390	FLOAT	RD	A	Average, Harmonic I L2	[25]
2392	FLOAT	RD	A	Average, Harmonic I L2	[26]
2394	FLOAT	RD	A	Average, Harmonic I L2	[27]
2396	FLOAT	RD	A	Average, Harmonic I L2	[28]
2398	FLOAT	RD	A	Average, Harmonic I L2	[29]
2400	FLOAT	RD	A	Average, Harmonic I L2	[30]
2402	FLOAT	RD	A	Average, Harmonic I L2	[31]
2404	FLOAT	RD	A	Average, Harmonic I L2	[32]
2406	FLOAT	RD	A	Average, Harmonic I L2	[33]
2408	FLOAT	RD	A	Average, Harmonic I L2	[34]
2410	FLOAT	RD	A	Average, Harmonic I L2	[35]
2412	FLOAT	RD	A	Average, Harmonic I L2	[36]
2414	FLOAT	RD	A	Average, Harmonic I L2	[37]
2416	FLOAT	RD	A	Average, Harmonic I L2	[38]
2418	FLOAT	RD	A	Average, Harmonic I L2	[39]
2420	FLOAT	RD	A	Average, Harmonic I L3	[0]
2422	FLOAT	RD	A	Average, Harmonic I L3	[1]
2424	FLOAT	RD	A	Average, Harmonic I L3	[2]
2426	FLOAT	RD	A	Average, Harmonic I L3	[3]
2428	FLOAT	RD	A	Average, Harmonic I L3	[4]
2430	FLOAT	RD	A	Average, Harmonic I L3	[5]
2432	FLOAT	RD	A	Average, Harmonic I L3	[6]
2434	FLOAT	RD	A	Average, Harmonic I L3	[7]
2436	FLOAT	RD	A	Average, Harmonic I L3	[8]
2438	FLOAT	RD	A	Average, Harmonic I L3	[9]

Address	Format	RD/WR	Unit	Note	Index
2440	FLOAT	RD	A	Average, Harmonic I L3	[10]
2442	FLOAT	RD	A	Average, Harmonic I L3	[11]
2444	FLOAT	RD	A	Average, Harmonic I L3	[12]
2446	FLOAT	RD	A	Average, Harmonic I L3	[13]
2448	FLOAT	RD	A	Average, Harmonic I L3	[14]
2450	FLOAT	RD	A	Average, Harmonic I L3	[15]
2452	FLOAT	RD	A	Average, Harmonic I L3	[16]
2454	FLOAT	RD	A	Average, Harmonic I L3	[17]
2456	FLOAT	RD	A	Average, Harmonic I L3	[18]
2458	FLOAT	RD	A	Average, Harmonic I L3	[19]
2460	FLOAT	RD	A	Average, Harmonic I L3	[20]
2462	FLOAT	RD	A	Average, Harmonic I L3	[21]
2464	FLOAT	RD	A	Average, Harmonic I L3	[22]
2466	FLOAT	RD	A	Average, Harmonic I L3	[23]
2468	FLOAT	RD	A	Average, Harmonic I L3	[24]
2470	FLOAT	RD	A	Average, Harmonic I L3	[25]
2472	FLOAT	RD	A	Average, Harmonic I L3	[26]
2474	FLOAT	RD	A	Average, Harmonic I L3	[27]
2476	FLOAT	RD	A	Average, Harmonic I L3	[28]
2478	FLOAT	RD	A	Average, Harmonic I L3	[29]
2480	FLOAT	RD	A	Average, Harmonic I L3	[30]
2482	FLOAT	RD	A	Average, Harmonic I L3	[31]
2484	FLOAT	RD	A	Average, Harmonic I L3	[32]
2486	FLOAT	RD	A	Average, Harmonic I L3	[33]
2488	FLOAT	RD	A	Average, Harmonic I L3	[34]
2490	FLOAT	RD	A	Average, Harmonic I L3	[35]
2492	FLOAT	RD	A	Average, Harmonic I L3	[36]
2494	FLOAT	RD	A	Average, Harmonic I L3	[37]
2496	FLOAT	RD	A	Average, Harmonic I L3	[38]
2498	FLOAT	RD	A	Average, Harmonic I L3	[39]
10643	FLOAT	RD	A	Average, Harmonic IL4	[0]
10645	FLOAT	RD	A	Average, Harmonic IL4	[1]
10647	FLOAT	RD	A	Average, Harmonic IL4	[2]
10649	FLOAT	RD	A	Average, Harmonic IL4	[3]
10651	FLOAT	RD	A	Average, Harmonic IL4	[4]
10653	FLOAT	RD	A	Average, Harmonic IL4	[5]
10655	FLOAT	RD	A	Average, Harmonic IL4	[6]
10657	FLOAT	RD	A	Average, Harmonic IL4	[7]
10659	FLOAT	RD	A	Average, Harmonic IL4	[8]
10661	FLOAT	RD	A	Average, Harmonic IL4	[9]
10663	FLOAT	RD	A	Average, Harmonic IL4	[10]
10665	FLOAT	RD	A	Average, Harmonic IL4	[11]
10667	FLOAT	RD	A	Average, Harmonic IL4	[12]
10669	FLOAT	RD	A	Average, Harmonic IL4	[13]
10671	FLOAT	RD	A	Average, Harmonic IL4	[14]
10673	FLOAT	RD	A	Average, Harmonic IL4	[15]
10675	FLOAT	RD	A	Average, Harmonic IL4	[16]
10677	FLOAT	RD	A	Average, Harmonic IL4	[17]
10679	FLOAT	RD	A	Average, Harmonic IL4	[18]
10681	FLOAT	RD	A	Average, Harmonic IL4	[19]
10683	FLOAT	RD	A	Average, Harmonic IL4	[20]
10685	FLOAT	RD	A	Average, Harmonic IL4	[21]
10687	FLOAT	RD	A	Average, Harmonic IL4	[22]
10689	FLOAT	RD	A	Average, Harmonic IL4	[23]
10691	FLOAT	RD	A	Average, Harmonic IL4	[24]
10693	FLOAT	RD	A	Average, Harmonic IL4	[25]
10695	FLOAT	RD	A	Average, Harmonic IL4	[26]
10697	FLOAT	RD	A	Average, Harmonic IL4	[27]
10699	FLOAT	RD	A	Average, Harmonic IL4	[28]
10701	FLOAT	RD	A	Average, Harmonic IL4	[29]
10703	FLOAT	RD	A	Average, Harmonic IL4	[30]
10705	FLOAT	RD	A	Average, Harmonic IL4	[31]
10707	FLOAT	RD	A	Average, Harmonic IL4	[32]
10709	FLOAT	RD	A	Average, Harmonic IL4	[33]
10711	FLOAT	RD	A	Average, Harmonic IL4	[34]

Address	Format	RD/WR	Unit	Note	Index
10713	FLOAT	RD	A	Average, Harmonic IL4	[35]
10715	FLOAT	RD	A	Average, Harmonic IL4	[36]
10717	FLOAT	RD	A	Average, Harmonic IL4	[37]
10719	FLOAT	RD	A	Average, Harmonic IL4	[38]
10721	FLOAT	RD	A	Average, Harmonic IL4	[39]
11057	FLOAT	RD	A	Average, Harmonic A Diff1	[0]
11059	FLOAT	RD	A	Average, Harmonic A Diff1	[1]
11061	FLOAT	RD	A	Average, Harmonic A Diff1	[2]
11063	FLOAT	RD	A	Average, Harmonic A Diff1	[3]
11065	FLOAT	RD	A	Average, Harmonic A Diff1	[4]
11067	FLOAT	RD	A	Average, Harmonic A Diff1	[5]
11069	FLOAT	RD	A	Average, Harmonic A Diff1	[6]
11071	FLOAT	RD	A	Average, Harmonic A Diff1	[7]
11073	FLOAT	RD	A	Average, Harmonic A Diff1	[8]
11075	FLOAT	RD	A	Average, Harmonic A Diff1	[9]
11077	FLOAT	RD	A	Average, Harmonic A Diff1	[10]
11079	FLOAT	RD	A	Average, Harmonic A Diff1	[11]
11081	FLOAT	RD	A	Average, Harmonic A Diff1	[12]
11083	FLOAT	RD	A	Average, Harmonic A Diff1	[13]
11085	FLOAT	RD	A	Average, Harmonic A Diff1	[14]
11087	FLOAT	RD	A	Average, Harmonic A Diff1	[15]
11089	FLOAT	RD	A	Average, Harmonic A Diff1	[16]
11091	FLOAT	RD	A	Average, Harmonic A Diff1	[17]
11093	FLOAT	RD	A	Average, Harmonic A Diff1	[18]
11095	FLOAT	RD	A	Average, Harmonic A Diff1	[19]
11097	FLOAT	RD	A	Average, Harmonic A Diff1	[20]
11099	FLOAT	RD	A	Average, Harmonic A Diff1	[21]
11101	FLOAT	RD	A	Average, Harmonic A Diff1	[22]
11103	FLOAT	RD	A	Average, Harmonic A Diff1	[23]
11105	FLOAT	RD	A	Average, Harmonic A Diff1	[24]
11107	FLOAT	RD	A	Average, Harmonic A Diff1	[25]
11109	FLOAT	RD	A	Average, Harmonic A Diff1	[26]
11111	FLOAT	RD	A	Average, Harmonic A Diff1	[27]
11113	FLOAT	RD	A	Average, Harmonic A Diff1	[28]
11115	FLOAT	RD	A	Average, Harmonic A Diff1	[29]
11117	FLOAT	RD	A	Average, Harmonic A Diff1	[30]
11119	FLOAT	RD	A	Average, Harmonic A Diff1	[31]
11121	FLOAT	RD	A	Average, Harmonic A Diff1	[32]
11123	FLOAT	RD	A	Average, Harmonic A Diff1	[33]
11125	FLOAT	RD	A	Average, Harmonic A Diff1	[34]
11127	FLOAT	RD	A	Average, Harmonic A Diff1	[35]
11129	FLOAT	RD	A	Average, Harmonic A Diff1	[36]
11131	FLOAT	RD	A	Average, Harmonic A Diff1	[37]
11133	FLOAT	RD	A	Average, Harmonic A Diff1	[38]
11135	FLOAT	RD	A	Average, Harmonic A Diff1	[39]
11137	FLOAT	RD	A	Average, Harmonic A Diff2	[0]
11139	FLOAT	RD	A	Average, Harmonic A Diff2	[1]
11141	FLOAT	RD	A	Average, Harmonic A Diff2	[2]
11143	FLOAT	RD	A	Average, Harmonic A Diff2	[3]
11145	FLOAT	RD	A	Average, Harmonic A Diff2	[4]
11147	FLOAT	RD	A	Average, Harmonic A Diff2	[5]
11149	FLOAT	RD	A	Average, Harmonic A Diff2	[6]
11151	FLOAT	RD	A	Average, Harmonic A Diff2	[7]
11153	FLOAT	RD	A	Average, Harmonic A Diff2	[8]
11155	FLOAT	RD	A	Average, Harmonic A Diff2	[9]
11157	FLOAT	RD	A	Average, Harmonic A Diff2	[10]
11159	FLOAT	RD	A	Average, Harmonic A Diff2	[11]
11161	FLOAT	RD	A	Average, Harmonic A Diff2	[12]
11163	FLOAT	RD	A	Average, Harmonic A Diff2	[13]
11165	FLOAT	RD	A	Average, Harmonic A Diff2	[14]
11167	FLOAT	RD	A	Average, Harmonic A Diff2	[15]
11169	FLOAT	RD	A	Average, Harmonic A Diff2	[16]
11171	FLOAT	RD	A	Average, Harmonic A Diff2	[17]
11173	FLOAT	RD	A	Average, Harmonic A Diff2	[18]
11175	FLOAT	RD	A	Average, Harmonic A Diff2	[19]

Address	Format	RD/WR	Unit	Note	Index
11177	FLOAT	RD	A	Average, Harmonic A Diff2	[20]
11179	FLOAT	RD	A	Average, Harmonic A Diff2	[21]
11181	FLOAT	RD	A	Average, Harmonic A Diff2	[22]
11183	FLOAT	RD	A	Average, Harmonic A Diff2	[23]
11185	FLOAT	RD	A	Average, Harmonic A Diff2	[24]
11187	FLOAT	RD	A	Average, Harmonic A Diff2	[25]
11189	FLOAT	RD	A	Average, Harmonic A Diff2	[26]
11191	FLOAT	RD	A	Average, Harmonic A Diff2	[27]
11193	FLOAT	RD	A	Average, Harmonic A Diff2	[28]
11195	FLOAT	RD	A	Average, Harmonic A Diff2	[29]
11197	FLOAT	RD	A	Average, Harmonic A Diff2	[30]
11199	FLOAT	RD	A	Average, Harmonic A Diff2	[31]
11201	FLOAT	RD	A	Average, Harmonic A Diff2	[32]
11203	FLOAT	RD	A	Average, Harmonic A Diff2	[33]
11205	FLOAT	RD	A	Average, Harmonic A Diff2	[34]
11207	FLOAT	RD	A	Average, Harmonic A Diff2	[35]
11209	FLOAT	RD	A	Average, Harmonic A Diff2	[36]
11211	FLOAT	RD	A	Average, Harmonic A Diff2	[37]
11213	FLOAT	RD	A	Average, Harmonic A Diff2	[38]
11215	FLOAT	RD	A	Average, Harmonic A Diff2	[39]

Mean values, type short, fourier analysis

Address	Format	RD/WR	Unit	Note	Index	Resolution
3966	SHORT	RD	V	Average, Harmonic U L1	[0]	0,1
3967	SHORT	RD	V	Average, Harmonic U L1	[1]	0,1
3968	SHORT	RD	V	Average, Harmonic U L1	[2]	0,1
3969	SHORT	RD	V	Average, Harmonic U L1	[3]	0,1
3970	SHORT	RD	V	Average, Harmonic U L1	[4]	0,1
3971	SHORT	RD	V	Average, Harmonic U L1	[5]	0,1
3972	SHORT	RD	V	Average, Harmonic U L1	[6]	0,1
3973	SHORT	RD	V	Average, Harmonic U L1	[7]	0,1
3974	SHORT	RD	V	Average, Harmonic U L1	[8]	0,1
3975	SHORT	RD	V	Average, Harmonic U L1	[9]	0,1
3976	SHORT	RD	V	Average, Harmonic U L1	[10]	0,1
3977	SHORT	RD	V	Average, Harmonic U L1	[11]	0,1
3978	SHORT	RD	V	Average, Harmonic U L1	[12]	0,1
3979	SHORT	RD	V	Average, Harmonic U L1	[13]	0,1
3980	SHORT	RD	V	Average, Harmonic U L1	[14]	0,1
3981	SHORT	RD	V	Average, Harmonic U L1	[15]	0,1
3982	SHORT	RD	V	Average, Harmonic U L1	[16]	0,1
3983	SHORT	RD	V	Average, Harmonic U L1	[17]	0,1
3984	SHORT	RD	V	Average, Harmonic U L1	[18]	0,1
3985	SHORT	RD	V	Average, Harmonic U L1	[19]	0,1
3986	SHORT	RD	V	Average, Harmonic U L1	[20]	0,1
3987	SHORT	RD	V	Average, Harmonic U L1	[21]	0,1
3988	SHORT	RD	V	Average, Harmonic U L1	[22]	0,1
3989	SHORT	RD	V	Average, Harmonic U L1	[23]	0,1
3990	SHORT	RD	V	Average, Harmonic U L1	[24]	0,1
3991	SHORT	RD	V	Average, Harmonic U L1	[25]	0,1
3992	SHORT	RD	V	Average, Harmonic U L1	[26]	0,1
3993	SHORT	RD	V	Average, Harmonic U L1	[27]	0,1
3994	SHORT	RD	V	Average, Harmonic U L1	[28]	0,1
3995	SHORT	RD	V	Average, Harmonic U L1	[29]	0,1
3996	SHORT	RD	V	Average, Harmonic U L1	[30]	0,1
3997	SHORT	RD	V	Average, Harmonic U L1	[31]	0,1
3998	SHORT	RD	V	Average, Harmonic U L1	[32]	0,1
3999	SHORT	RD	V	Average, Harmonic U L1	[33]	0,1
4000	SHORT	RD	V	Average, Harmonic U L1	[34]	0,1
4001	SHORT	RD	V	Average, Harmonic U L1	[35]	0,1
4002	SHORT	RD	V	Average, Harmonic U L1	[36]	0,1
4003	SHORT	RD	V	Average, Harmonic U L1	[37]	0,1
4004	SHORT	RD	V	Average, Harmonic U L1	[38]	0,1
4005	SHORT	RD	V	Average, Harmonic U L1	[39]	0,1
4006	SHORT	RD	V	Average, Harmonic U L2	[0]	0,1
4007	SHORT	RD	V	Average, Harmonic U L2	[1]	0,1
4008	SHORT	RD	V	Average, Harmonic U L2	[2]	0,1
4009	SHORT	RD	V	Average, Harmonic U L2	[3]	0,1
4010	SHORT	RD	V	Average, Harmonic U L2	[4]	0,1
4011	SHORT	RD	V	Average, Harmonic U L2	[5]	0,1
4012	SHORT	RD	V	Average, Harmonic U L2	[6]	0,1
4013	SHORT	RD	V	Average, Harmonic U L2	[7]	0,1
4014	SHORT	RD	V	Average, Harmonic U L2	[8]	0,1
4015	SHORT	RD	V	Average, Harmonic U L2	[9]	0,1
4016	SHORT	RD	V	Average, Harmonic U L2	[10]	0,1
4017	SHORT	RD	V	Average, Harmonic U L2	[11]	0,1
4018	SHORT	RD	V	Average, Harmonic U L2	[12]	0,1
4019	SHORT	RD	V	Average, Harmonic U L2	[13]	0,1
4020	SHORT	RD	V	Average, Harmonic U L2	[14]	0,1
4021	SHORT	RD	V	Average, Harmonic U L2	[15]	0,1
4022	SHORT	RD	V	Average, Harmonic U L2	[16]	0,1
4023	SHORT	RD	V	Average, Harmonic U L2	[17]	0,1
4024	SHORT	RD	V	Average, Harmonic U L2	[18]	0,1
4025	SHORT	RD	V	Average, Harmonic U L2	[19]	0,1
4026	SHORT	RD	V	Average, Harmonic U L2	[20]	0,1
4027	SHORT	RD	V	Average, Harmonic U L2	[21]	0,1
4028	SHORT	RD	V	Average, Harmonic U L2	[22]	0,1
4029	SHORT	RD	V	Average, Harmonic U L2	[23]	0,1
4030	SHORT	RD	V	Average, Harmonic U L2	[24]	0,1
4031	SHORT	RD	V	Average, Harmonic U L2	[25]	0,1

Address	Format	RD/WR	Unit	Note	Index	Resolution
4032	SHORT	RD	V	Average, Harmonic U L2	[26]	0,1
4033	SHORT	RD	V	Average, Harmonic U L2	[27]	0,1
4034	SHORT	RD	V	Average, Harmonic U L2	[28]	0,1
4035	SHORT	RD	V	Average, Harmonic U L2	[29]	0,1
4036	SHORT	RD	V	Average, Harmonic U L2	[30]	0,1
4037	SHORT	RD	V	Average, Harmonic U L2	[31]	0,1
4038	SHORT	RD	V	Average, Harmonic U L2	[32]	0,1
4039	SHORT	RD	V	Average, Harmonic U L2	[33]	0,1
4040	SHORT	RD	V	Average, Harmonic U L2	[34]	0,1
4041	SHORT	RD	V	Average, Harmonic U L2	[35]	0,1
4042	SHORT	RD	V	Average, Harmonic U L2	[36]	0,1
4043	SHORT	RD	V	Average, Harmonic U L2	[37]	0,1
4044	SHORT	RD	V	Average, Harmonic U L2	[38]	0,1
4045	SHORT	RD	V	Average, Harmonic U L2	[39]	0,1
4046	SHORT	RD	V	Average, Harmonic U L3	[0]	0,1
4047	SHORT	RD	V	Average, Harmonic U L3	[1]	0,1
4048	SHORT	RD	V	Average, Harmonic U L3	[2]	0,1
4049	SHORT	RD	V	Average, Harmonic U L3	[3]	0,1
4050	SHORT	RD	V	Average, Harmonic U L3	[4]	0,1
4051	SHORT	RD	V	Average, Harmonic U L3	[5]	0,1
4052	SHORT	RD	V	Average, Harmonic U L3	[6]	0,1
4053	SHORT	RD	V	Average, Harmonic U L3	[7]	0,1
4054	SHORT	RD	V	Average, Harmonic U L3	[8]	0,1
4055	SHORT	RD	V	Average, Harmonic U L3	[9]	0,1
4056	SHORT	RD	V	Average, Harmonic U L3	[10]	0,1
4057	SHORT	RD	V	Average, Harmonic U L3	[11]	0,1
4058	SHORT	RD	V	Average, Harmonic U L3	[12]	0,1
4059	SHORT	RD	V	Average, Harmonic U L3	[13]	0,1
4060	SHORT	RD	V	Average, Harmonic U L3	[14]	0,1
4061	SHORT	RD	V	Average, Harmonic U L3	[15]	0,1
4062	SHORT	RD	V	Average, Harmonic U L3	[16]	0,1
4063	SHORT	RD	V	Average, Harmonic U L3	[17]	0,1
4064	SHORT	RD	V	Average, Harmonic U L3	[18]	0,1
4065	SHORT	RD	V	Average, Harmonic U L3	[19]	0,1
4066	SHORT	RD	V	Average, Harmonic U L3	[20]	0,1
4067	SHORT	RD	V	Average, Harmonic U L3	[21]	0,1
4068	SHORT	RD	V	Average, Harmonic U L3	[22]	0,1
4069	SHORT	RD	V	Average, Harmonic U L3	[23]	0,1
4070	SHORT	RD	V	Average, Harmonic U L3	[24]	0,1
4071	SHORT	RD	V	Average, Harmonic U L3	[25]	0,1
4072	SHORT	RD	V	Average, Harmonic U L3	[26]	0,1
4073	SHORT	RD	V	Average, Harmonic U L3	[27]	0,1
4074	SHORT	RD	V	Average, Harmonic U L3	[28]	0,1
4075	SHORT	RD	V	Average, Harmonic U L3	[29]	0,1
4076	SHORT	RD	V	Average, Harmonic U L3	[30]	0,1
4077	SHORT	RD	V	Average, Harmonic U L3	[31]	0,1
4078	SHORT	RD	V	Average, Harmonic U L3	[32]	0,1
4079	SHORT	RD	V	Average, Harmonic U L3	[33]	0,1
4080	SHORT	RD	V	Average, Harmonic U L3	[34]	0,1
4081	SHORT	RD	V	Average, Harmonic U L3	[35]	0,1
4082	SHORT	RD	V	Average, Harmonic U L3	[36]	0,1
4083	SHORT	RD	V	Average, Harmonic U L3	[37]	0,1
4084	SHORT	RD	V	Average, Harmonic U L3	[38]	0,1
4085	SHORT	RD	V	Average, Harmonic U L3	[39]	0,1
4086	SHORT	RD	V	Average, Harmonic U L1-L2	[0]	0,1
4087	SHORT	RD	V	Average, Harmonic U L1-L2	[1]	0,1
4088	SHORT	RD	V	Average, Harmonic U L1-L2	[2]	0,1
4089	SHORT	RD	V	Average, Harmonic U L1-L2	[3]	0,1
4090	SHORT	RD	V	Average, Harmonic U L1-L2	[4]	0,1
4091	SHORT	RD	V	Average, Harmonic U L1-L2	[5]	0,1
4092	SHORT	RD	V	Average, Harmonic U L1-L2	[6]	0,1
4093	SHORT	RD	V	Average, Harmonic U L1-L2	[7]	0,1
4094	SHORT	RD	V	Average, Harmonic U L1-L2	[8]	0,1
4095	SHORT	RD	V	Average, Harmonic U L1-L2	[9]	0,1
4096	SHORT	RD	V	Average, Harmonic U L1-L2	[10]	0,1
4097	SHORT	RD	V	Average, Harmonic U L1-L2	[11]	0,1

Address	Format	RD/WR	Unit	Note	Index	Resolution
4098	SHORT	RD	V	Average, Harmonic U L1-L2	[12]	0,1
4099	SHORT	RD	V	Average, Harmonic U L1-L2	[13]	0,1
4100	SHORT	RD	V	Average, Harmonic U L1-L2	[14]	0,1
4101	SHORT	RD	V	Average, Harmonic U L1-L2	[15]	0,1
4102	SHORT	RD	V	Average, Harmonic U L1-L2	[16]	0,1
4103	SHORT	RD	V	Average, Harmonic U L1-L2	[17]	0,1
4104	SHORT	RD	V	Average, Harmonic U L1-L2	[18]	0,1
4105	SHORT	RD	V	Average, Harmonic U L1-L2	[19]	0,1
4106	SHORT	RD	V	Average, Harmonic U L1-L2	[20]	0,1
4107	SHORT	RD	V	Average, Harmonic U L1-L2	[21]	0,1
4108	SHORT	RD	V	Average, Harmonic U L1-L2	[22]	0,1
4109	SHORT	RD	V	Average, Harmonic U L1-L2	[23]	0,1
4110	SHORT	RD	V	Average, Harmonic U L1-L2	[24]	0,1
4111	SHORT	RD	V	Average, Harmonic U L1-L2	[25]	0,1
4112	SHORT	RD	V	Average, Harmonic U L1-L2	[26]	0,1
4113	SHORT	RD	V	Average, Harmonic U L1-L2	[27]	0,1
4114	SHORT	RD	V	Average, Harmonic U L1-L2	[28]	0,1
4115	SHORT	RD	V	Average, Harmonic U L1-L2	[29]	0,1
4116	SHORT	RD	V	Average, Harmonic U L1-L2	[30]	0,1
4117	SHORT	RD	V	Average, Harmonic U L1-L2	[31]	0,1
4118	SHORT	RD	V	Average, Harmonic U L1-L2	[32]	0,1
4119	SHORT	RD	V	Average, Harmonic U L1-L2	[33]	0,1
4120	SHORT	RD	V	Average, Harmonic U L1-L2	[34]	0,1
4121	SHORT	RD	V	Average, Harmonic U L1-L2	[35]	0,1
4122	SHORT	RD	V	Average, Harmonic U L1-L2	[36]	0,1
4123	SHORT	RD	V	Average, Harmonic U L1-L2	[37]	0,1
4124	SHORT	RD	V	Average, Harmonic U L1-L2	[38]	0,1
4125	SHORT	RD	V	Average, Harmonic U L1-L2	[39]	0,1
4126	SHORT	RD	V	Average, Harmonic U L2-L3	[0]	0,1
4127	SHORT	RD	V	Average, Harmonic U L2-L3	[1]	0,1
4128	SHORT	RD	V	Average, Harmonic U L2-L3	[2]	0,1
4129	SHORT	RD	V	Average, Harmonic U L2-L3	[3]	0,1
4130	SHORT	RD	V	Average, Harmonic U L2-L3	[4]	0,1
4131	SHORT	RD	V	Average, Harmonic U L2-L3	[5]	0,1
4132	SHORT	RD	V	Average, Harmonic U L2-L3	[6]	0,1
4133	SHORT	RD	V	Average, Harmonic U L2-L3	[7]	0,1
4134	SHORT	RD	V	Average, Harmonic U L2-L3	[8]	0,1
4135	SHORT	RD	V	Average, Harmonic U L2-L3	[9]	0,1
4136	SHORT	RD	V	Average, Harmonic U L2-L3	[10]	0,1
4137	SHORT	RD	V	Average, Harmonic U L2-L3	[11]	0,1
4138	SHORT	RD	V	Average, Harmonic U L2-L3	[12]	0,1
4139	SHORT	RD	V	Average, Harmonic U L2-L3	[13]	0,1
4140	SHORT	RD	V	Average, Harmonic U L2-L3	[14]	0,1
4141	SHORT	RD	V	Average, Harmonic U L2-L3	[15]	0,1
4142	SHORT	RD	V	Average, Harmonic U L2-L3	[16]	0,1
4143	SHORT	RD	V	Average, Harmonic U L2-L3	[17]	0,1
4144	SHORT	RD	V	Average, Harmonic U L2-L3	[18]	0,1
4145	SHORT	RD	V	Average, Harmonic U L2-L3	[19]	0,1
4146	SHORT	RD	V	Average, Harmonic U L2-L3	[20]	0,1
4147	SHORT	RD	V	Average, Harmonic U L2-L3	[21]	0,1
4148	SHORT	RD	V	Average, Harmonic U L2-L3	[22]	0,1
4149	SHORT	RD	V	Average, Harmonic U L2-L3	[23]	0,1
4150	SHORT	RD	V	Average, Harmonic U L2-L3	[24]	0,1
4151	SHORT	RD	V	Average, Harmonic U L2-L3	[25]	0,1
4152	SHORT	RD	V	Average, Harmonic U L2-L3	[26]	0,1
4153	SHORT	RD	V	Average, Harmonic U L2-L3	[27]	0,1
4154	SHORT	RD	V	Average, Harmonic U L2-L3	[28]	0,1
4155	SHORT	RD	V	Average, Harmonic U L2-L3	[29]	0,1
4156	SHORT	RD	V	Average, Harmonic U L2-L3	[30]	0,1
4157	SHORT	RD	V	Average, Harmonic U L2-L3	[31]	0,1
4158	SHORT	RD	V	Average, Harmonic U L2-L3	[32]	0,1
4159	SHORT	RD	V	Average, Harmonic U L2-L3	[33]	0,1
4160	SHORT	RD	V	Average, Harmonic U L2-L3	[34]	0,1
4161	SHORT	RD	V	Average, Harmonic U L2-L3	[35]	0,1
4162	SHORT	RD	V	Average, Harmonic U L2-L3	[36]	0,1
4163	SHORT	RD	V	Average, Harmonic U L2-L3	[37]	0,1

Address	Format	RD/WR	Unit	Note	Index	Resolution
4164	SHORT	RD	V	Average, Harmonic U L2-L3	[38]	0,1
4165	SHORT	RD	V	Average, Harmonic U L2-L3	[39]	0,1
4166	SHORT	RD	V	Average, Harmonic U L3-L1	[0]	0,1
4167	SHORT	RD	V	Average, Harmonic U L3-L1	[1]	0,1
4168	SHORT	RD	V	Average, Harmonic U L3-L1	[2]	0,1
4169	SHORT	RD	V	Average, Harmonic U L3-L1	[3]	0,1
4170	SHORT	RD	V	Average, Harmonic U L3-L1	[4]	0,1
4171	SHORT	RD	V	Average, Harmonic U L3-L1	[5]	0,1
4172	SHORT	RD	V	Average, Harmonic U L3-L1	[6]	0,1
4173	SHORT	RD	V	Average, Harmonic U L3-L1	[7]	0,1
4174	SHORT	RD	V	Average, Harmonic U L3-L1	[8]	0,1
4175	SHORT	RD	V	Average, Harmonic U L3-L1	[9]	0,1
4176	SHORT	RD	V	Average, Harmonic U L3-L1	[10]	0,1
4177	SHORT	RD	V	Average, Harmonic U L3-L1	[11]	0,1
4178	SHORT	RD	V	Average, Harmonic U L3-L1	[12]	0,1
4179	SHORT	RD	V	Average, Harmonic U L3-L1	[13]	0,1
4180	SHORT	RD	V	Average, Harmonic U L3-L1	[14]	0,1
4181	SHORT	RD	V	Average, Harmonic U L3-L1	[15]	0,1
4182	SHORT	RD	V	Average, Harmonic U L3-L1	[16]	0,1
4183	SHORT	RD	V	Average, Harmonic U L3-L1	[17]	0,1
4184	SHORT	RD	V	Average, Harmonic U L3-L1	[18]	0,1
4185	SHORT	RD	V	Average, Harmonic U L3-L1	[19]	0,1
4186	SHORT	RD	V	Average, Harmonic U L3-L1	[20]	0,1
4187	SHORT	RD	V	Average, Harmonic U L3-L1	[21]	0,1
4188	SHORT	RD	V	Average, Harmonic U L3-L1	[22]	0,1
4189	SHORT	RD	V	Average, Harmonic U L3-L1	[23]	0,1
4190	SHORT	RD	V	Average, Harmonic U L3-L1	[24]	0,1
4191	SHORT	RD	V	Average, Harmonic U L3-L1	[25]	0,1
4192	SHORT	RD	V	Average, Harmonic U L3-L1	[26]	0,1
4193	SHORT	RD	V	Average, Harmonic U L3-L1	[27]	0,1
4194	SHORT	RD	V	Average, Harmonic U L3-L1	[28]	0,1
4195	SHORT	RD	V	Average, Harmonic U L3-L1	[29]	0,1
4196	SHORT	RD	V	Average, Harmonic U L3-L1	[30]	0,1
4197	SHORT	RD	V	Average, Harmonic U L3-L1	[31]	0,1
4198	SHORT	RD	V	Average, Harmonic U L3-L1	[32]	0,1
4199	SHORT	RD	V	Average, Harmonic U L3-L1	[33]	0,1
4200	SHORT	RD	V	Average, Harmonic U L3-L1	[34]	0,1
4201	SHORT	RD	V	Average, Harmonic U L3-L1	[35]	0,1
4202	SHORT	RD	V	Average, Harmonic U L3-L1	[36]	0,1
4203	SHORT	RD	V	Average, Harmonic U L3-L1	[37]	0,1
4204	SHORT	RD	V	Average, Harmonic U L3-L1	[38]	0,1
4205	SHORT	RD	V	Average, Harmonic U L3-L1	[39]	0,1
4226	SHORT	RD	mA	Average, Harmonic I L1	[0]	1
4227	SHORT	RD	mA	Average, Harmonic I L1	[1]	1
4228	SHORT	RD	mA	Average, Harmonic I L1	[2]	1
4229	SHORT	RD	mA	Average, Harmonic I L1	[3]	1
4230	SHORT	RD	mA	Average, Harmonic I L1	[4]	1
4231	SHORT	RD	mA	Average, Harmonic I L1	[5]	1
4232	SHORT	RD	mA	Average, Harmonic I L1	[6]	1
4233	SHORT	RD	mA	Average, Harmonic I L1	[7]	1
4234	SHORT	RD	mA	Average, Harmonic I L1	[8]	1
4235	SHORT	RD	mA	Average, Harmonic I L1	[9]	1
4236	SHORT	RD	mA	Average, Harmonic I L1	[10]	1
4237	SHORT	RD	mA	Average, Harmonic I L1	[11]	1
4238	SHORT	RD	mA	Average, Harmonic I L1	[12]	1
4239	SHORT	RD	mA	Average, Harmonic I L1	[13]	1
4240	SHORT	RD	mA	Average, Harmonic I L1	[14]	1
4241	SHORT	RD	mA	Average, Harmonic I L1	[15]	1
4242	SHORT	RD	mA	Average, Harmonic I L1	[16]	1
4243	SHORT	RD	mA	Average, Harmonic I L1	[17]	1
4244	SHORT	RD	mA	Average, Harmonic I L1	[18]	1
4245	SHORT	RD	mA	Average, Harmonic I L1	[19]	1
4246	SHORT	RD	mA	Average, Harmonic I L1	[20]	1
4247	SHORT	RD	mA	Average, Harmonic I L1	[21]	1
4248	SHORT	RD	mA	Average, Harmonic I L1	[22]	1
4249	SHORT	RD	mA	Average, Harmonic I L1	[23]	1

Address	Format	RD/WR	Unit	Note	Index	Resolution
4250	SHORT	RD	mA	Average, Harmonic L1	[24]	1
4251	SHORT	RD	mA	Average, Harmonic L1	[25]	1
4252	SHORT	RD	mA	Average, Harmonic L1	[26]	1
4253	SHORT	RD	mA	Average, Harmonic L1	[27]	1
4254	SHORT	RD	mA	Average, Harmonic L1	[28]	1
4255	SHORT	RD	mA	Average, Harmonic L1	[29]	1
4256	SHORT	RD	mA	Average, Harmonic L1	[30]	1
4257	SHORT	RD	mA	Average, Harmonic L1	[31]	1
4258	SHORT	RD	mA	Average, Harmonic L1	[32]	1
4259	SHORT	RD	mA	Average, Harmonic L1	[33]	1
4260	SHORT	RD	mA	Average, Harmonic L1	[34]	1
4261	SHORT	RD	mA	Average, Harmonic L1	[35]	1
4262	SHORT	RD	mA	Average, Harmonic L1	[36]	1
4263	SHORT	RD	mA	Average, Harmonic L1	[37]	1
4264	SHORT	RD	mA	Average, Harmonic L1	[38]	1
4265	SHORT	RD	mA	Average, Harmonic L1	[39]	1
4266	SHORT	RD	mA	Average, Harmonic L2	[0]	1
4267	SHORT	RD	mA	Average, Harmonic L2	[1]	1
4268	SHORT	RD	mA	Average, Harmonic L2	[2]	1
4269	SHORT	RD	mA	Average, Harmonic L2	[3]	1
4270	SHORT	RD	mA	Average, Harmonic L2	[4]	1
4271	SHORT	RD	mA	Average, Harmonic L2	[5]	1
4272	SHORT	RD	mA	Average, Harmonic L2	[6]	1
4273	SHORT	RD	mA	Average, Harmonic L2	[7]	1
4274	SHORT	RD	mA	Average, Harmonic L2	[8]	1
4275	SHORT	RD	mA	Average, Harmonic L2	[9]	1
4276	SHORT	RD	mA	Average, Harmonic L2	[10]	1
4277	SHORT	RD	mA	Average, Harmonic L2	[11]	1
4278	SHORT	RD	mA	Average, Harmonic L2	[12]	1
4279	SHORT	RD	mA	Average, Harmonic L2	[13]	1
4280	SHORT	RD	mA	Average, Harmonic L2	[14]	1
4281	SHORT	RD	mA	Average, Harmonic L2	[15]	1
4282	SHORT	RD	mA	Average, Harmonic L2	[16]	1
4283	SHORT	RD	mA	Average, Harmonic L2	[17]	1
4284	SHORT	RD	mA	Average, Harmonic L2	[18]	1
4285	SHORT	RD	mA	Average, Harmonic L2	[19]	1
4286	SHORT	RD	mA	Average, Harmonic L2	[20]	1
4287	SHORT	RD	mA	Average, Harmonic L2	[21]	1
4288	SHORT	RD	mA	Average, Harmonic L2	[22]	1
4289	SHORT	RD	mA	Average, Harmonic L2	[23]	1
4290	SHORT	RD	mA	Average, Harmonic L2	[24]	1
4291	SHORT	RD	mA	Average, Harmonic L2	[25]	1
4292	SHORT	RD	mA	Average, Harmonic L2	[26]	1
4293	SHORT	RD	mA	Average, Harmonic L2	[27]	1
4294	SHORT	RD	mA	Average, Harmonic L2	[28]	1
4295	SHORT	RD	mA	Average, Harmonic L2	[29]	1
4296	SHORT	RD	mA	Average, Harmonic L2	[30]	1
4297	SHORT	RD	mA	Average, Harmonic L2	[31]	1
4298	SHORT	RD	mA	Average, Harmonic L2	[32]	1
4299	SHORT	RD	mA	Average, Harmonic L2	[33]	1
4300	SHORT	RD	mA	Average, Harmonic L2	[34]	1
4301	SHORT	RD	mA	Average, Harmonic L2	[35]	1
4302	SHORT	RD	mA	Average, Harmonic L2	[36]	1
4303	SHORT	RD	mA	Average, Harmonic L2	[37]	1
4304	SHORT	RD	mA	Average, Harmonic L2	[38]	1
4305	SHORT	RD	mA	Average, Harmonic L2	[39]	1
4306	SHORT	RD	mA	Average, Harmonic L3	[0]	1
4307	SHORT	RD	mA	Average, Harmonic L3	[1]	1
4308	SHORT	RD	mA	Average, Harmonic L3	[2]	1
4309	SHORT	RD	mA	Average, Harmonic L3	[3]	1
4310	SHORT	RD	mA	Average, Harmonic L3	[4]	1
4311	SHORT	RD	mA	Average, Harmonic L3	[5]	1
4312	SHORT	RD	mA	Average, Harmonic L3	[6]	1
4313	SHORT	RD	mA	Average, Harmonic L3	[7]	1
4314	SHORT	RD	mA	Average, Harmonic L3	[8]	1
4315	SHORT	RD	mA	Average, Harmonic L3	[9]	1

Address	Format	RD/WR	Unit	Note	Index	Resolution
4316	SHORT	RD	mA	Average, Harmonic I L3	[10]	1
4317	SHORT	RD	mA	Average, Harmonic I L3	[11]	1
4318	SHORT	RD	mA	Average, Harmonic I L3	[12]	1
4319	SHORT	RD	mA	Average, Harmonic I L3	[13]	1
4320	SHORT	RD	mA	Average, Harmonic I L3	[14]	1
4321	SHORT	RD	mA	Average, Harmonic I L3	[15]	1
4322	SHORT	RD	mA	Average, Harmonic I L3	[16]	1
4323	SHORT	RD	mA	Average, Harmonic I L3	[17]	1
4324	SHORT	RD	mA	Average, Harmonic I L3	[18]	1
4325	SHORT	RD	mA	Average, Harmonic I L3	[19]	1
4326	SHORT	RD	mA	Average, Harmonic I L3	[20]	1
4327	SHORT	RD	mA	Average, Harmonic I L3	[21]	1
4328	SHORT	RD	mA	Average, Harmonic I L3	[22]	1
4329	SHORT	RD	mA	Average, Harmonic I L3	[23]	1
4330	SHORT	RD	mA	Average, Harmonic I L3	[24]	1
4331	SHORT	RD	mA	Average, Harmonic I L3	[25]	1
4332	SHORT	RD	mA	Average, Harmonic I L3	[26]	1
4333	SHORT	RD	mA	Average, Harmonic I L3	[27]	1
4334	SHORT	RD	mA	Average, Harmonic I L3	[28]	1
4335	SHORT	RD	mA	Average, Harmonic I L3	[29]	1
4336	SHORT	RD	mA	Average, Harmonic I L3	[30]	1
4337	SHORT	RD	mA	Average, Harmonic I L3	[31]	1
4338	SHORT	RD	mA	Average, Harmonic I L3	[32]	1
4339	SHORT	RD	mA	Average, Harmonic I L3	[33]	1
4340	SHORT	RD	mA	Average, Harmonic I L3	[34]	1
4341	SHORT	RD	mA	Average, Harmonic I L3	[35]	1
4342	SHORT	RD	mA	Average, Harmonic I L3	[36]	1
4343	SHORT	RD	mA	Average, Harmonic I L3	[37]	1
4344	SHORT	RD	mA	Average, Harmonic I L3	[38]	1
4345	SHORT	RD	mA	Average, Harmonic I L3	[39]	1
10777	SHORT	RD	mA	mAverage Harmonic A L4	[0]	1
10778	SHORT	RD	mA	mAverage Harmonic A L4	[1]	1
10779	SHORT	RD	mA	mAverage Harmonic A L4	[2]	1
10780	SHORT	RD	mA	mAverage Harmonic A L4	[3]	1
10781	SHORT	RD	mA	mAverage Harmonic A L4	[4]	1
10782	SHORT	RD	mA	mAverage Harmonic A L4	[5]	1
10783	SHORT	RD	mA	mAverage Harmonic A L4	[6]	1
10784	SHORT	RD	mA	mAverage Harmonic A L4	[7]	1
10785	SHORT	RD	mA	mAverage Harmonic A L4	[8]	1
10786	SHORT	RD	mA	mAverage Harmonic A L4	[9]	1
10787	SHORT	RD	mA	mAverage Harmonic A L4	[10]	1
10788	SHORT	RD	mA	mAverage Harmonic A L4	[11]	1
10789	SHORT	RD	mA	mAverage Harmonic A L4	[12]	1
10790	SHORT	RD	mA	mAverage Harmonic A L4	[13]	1
10791	SHORT	RD	mA	mAverage Harmonic A L4	[14]	1
10792	SHORT	RD	mA	mAverage Harmonic A L4	[15]	1
10793	SHORT	RD	mA	mAverage Harmonic A L4	[16]	1
10794	SHORT	RD	mA	mAverage Harmonic A L4	[17]	1
10795	SHORT	RD	mA	mAverage Harmonic A L4	[18]	1
10796	SHORT	RD	mA	mAverage Harmonic A L4	[19]	1
10797	SHORT	RD	mA	mAverage Harmonic A L4	[20]	1
10798	SHORT	RD	mA	mAverage Harmonic A L4	[21]	1
10799	SHORT	RD	mA	mAverage Harmonic A L4	[22]	1
10800	SHORT	RD	mA	mAverage Harmonic A L4	[23]	1
10801	SHORT	RD	mA	mAverage Harmonic A L4	[24]	1
10802	SHORT	RD	mA	mAverage Harmonic A L4	[25]	1
10803	SHORT	RD	mA	mAverage Harmonic A L4	[26]	1
10804	SHORT	RD	mA	mAverage Harmonic A L4	[27]	1
10805	SHORT	RD	mA	mAverage Harmonic A L4	[28]	1
10806	SHORT	RD	mA	mAverage Harmonic A L4	[29]	1
10807	SHORT	RD	mA	mAverage Harmonic A L4	[30]	1
10808	SHORT	RD	mA	mAverage Harmonic A L4	[31]	1
10809	SHORT	RD	mA	mAverage Harmonic A L4	[32]	1
10810	SHORT	RD	mA	mAverage Harmonic A L4	[33]	1
10811	SHORT	RD	mA	mAverage Harmonic A L4	[34]	1

Address	Format	RD/WR	Unit	Note	Index	Resolution
10812	SHORT	RD	mA	mAverage Harmonic A L4	[35]	1
10813	SHORT	RD	mA	mAverage Harmonic A L4	[36]	1
10814	SHORT	RD	mA	mAverage Harmonic A L4	[37]	1
10815	SHORT	RD	mA	mAverage Harmonic A L4	[38]	1
10816	SHORT	RD	mA	mAverage Harmonic A L4	[39]	1
11369	SHORT	RD	mA	mAverage, Harmonic I Diff1	[0]	1
11370	SHORT	RD	mA	mAverage, Harmonic I Diff1	[1]	1
11371	SHORT	RD	mA	mAverage, Harmonic I Diff1	[2]	1
11372	SHORT	RD	mA	mAverage, Harmonic I Diff1	[3]	1
11373	SHORT	RD	mA	mAverage, Harmonic I Diff1	[4]	1
11374	SHORT	RD	mA	mAverage, Harmonic I Diff1	[5]	1
11375	SHORT	RD	mA	mAverage, Harmonic I Diff1	[6]	1
11376	SHORT	RD	mA	mAverage, Harmonic I Diff1	[7]	1
11377	SHORT	RD	mA	mAverage, Harmonic I Diff1	[8]	1
11378	SHORT	RD	mA	mAverage, Harmonic I Diff1	[9]	1
11379	SHORT	RD	mA	mAverage, Harmonic I Diff1	[10]	1
11380	SHORT	RD	mA	mAverage, Harmonic I Diff1	[11]	1
11381	SHORT	RD	mA	mAverage, Harmonic I Diff1	[12]	1
11382	SHORT	RD	mA	mAverage, Harmonic I Diff1	[13]	1
11383	SHORT	RD	mA	mAverage, Harmonic I Diff1	[14]	1
11384	SHORT	RD	mA	mAverage, Harmonic I Diff1	[15]	1
11385	SHORT	RD	mA	mAverage, Harmonic I Diff1	[16]	1
11386	SHORT	RD	mA	mAverage, Harmonic I Diff1	[17]	1
11387	SHORT	RD	mA	mAverage, Harmonic I Diff1	[18]	1
11388	SHORT	RD	mA	mAverage, Harmonic I Diff1	[19]	1
11389	SHORT	RD	mA	mAverage, Harmonic I Diff1	[20]	1
11390	SHORT	RD	mA	mAverage, Harmonic I Diff1	[21]	1
11391	SHORT	RD	mA	mAverage, Harmonic I Diff1	[22]	1
11392	SHORT	RD	mA	mAverage, Harmonic I Diff1	[23]	1
11393	SHORT	RD	mA	mAverage, Harmonic I Diff1	[24]	1
11394	SHORT	RD	mA	mAverage, Harmonic I Diff1	[25]	1
11395	SHORT	RD	mA	mAverage, Harmonic I Diff1	[26]	1
11396	SHORT	RD	mA	mAverage, Harmonic I Diff1	[27]	1
11397	SHORT	RD	mA	mAverage, Harmonic I Diff1	[28]	1
11398	SHORT	RD	mA	mAverage, Harmonic I Diff1	[29]	1
11399	SHORT	RD	mA	mAverage, Harmonic I Diff1	[30]	1
11400	SHORT	RD	mA	mAverage, Harmonic I Diff1	[31]	1
11401	SHORT	RD	mA	mAverage, Harmonic I Diff1	[32]	1
11402	SHORT	RD	mA	mAverage, Harmonic I Diff1	[33]	1
11403	SHORT	RD	mA	mAverage, Harmonic I Diff1	[34]	1
11404	SHORT	RD	mA	mAverage, Harmonic I Diff1	[35]	1
11405	SHORT	RD	mA	mAverage, Harmonic I Diff1	[36]	1
11406	SHORT	RD	mA	mAverage, Harmonic I Diff1	[37]	1
11407	SHORT	RD	mA	mAverage, Harmonic I Diff1	[38]	1
11408	SHORT	RD	mA	mAverage, Harmonic I Diff1	[39]	1
11409	SHORT	RD	mA	mAverage, Harmonic I Diff2	[0]	1
11410	SHORT	RD	mA	mAverage, Harmonic I Diff2	[1]	1
11411	SHORT	RD	mA	mAverage, Harmonic I Diff2	[2]	1
11412	SHORT	RD	mA	mAverage, Harmonic I Diff2	[3]	1
11413	SHORT	RD	mA	mAverage, Harmonic I Diff2	[4]	1
11414	SHORT	RD	mA	mAverage, Harmonic I Diff2	[5]	1
11415	SHORT	RD	mA	mAverage, Harmonic I Diff2	[6]	1
11416	SHORT	RD	mA	mAverage, Harmonic I Diff2	[7]	1
11417	SHORT	RD	mA	mAverage, Harmonic I Diff2	[8]	1
11418	SHORT	RD	mA	mAverage, Harmonic I Diff2	[9]	1
11419	SHORT	RD	mA	mAverage, Harmonic I Diff2	[10]	1
11420	SHORT	RD	mA	mAverage, Harmonic I Diff2	[11]	1
11421	SHORT	RD	mA	mAverage, Harmonic I Diff2	[12]	1
11422	SHORT	RD	mA	mAverage, Harmonic I Diff2	[13]	1
11423	SHORT	RD	mA	mAverage, Harmonic I Diff2	[14]	1
11424	SHORT	RD	mA	mAverage, Harmonic I Diff2	[15]	1
11425	SHORT	RD	mA	mAverage, Harmonic I Diff2	[16]	1
11426	SHORT	RD	mA	mAverage, Harmonic I Diff2	[17]	1
11427	SHORT	RD	mA	mAverage, Harmonic I Diff2	[18]	1
11428	SHORT	RD	mA	mAverage, Harmonic I Diff2	[19]	1

Address	Format	RD/WR	Unit	Note	Index	Resolution
11429	SHORT	RD	mA	mAverage, Harmonic I Diff2	[20]	1
11430	SHORT	RD	mA	mAverage, Harmonic I Diff2	[21]	1
11431	SHORT	RD	mA	mAverage, Harmonic I Diff2	[22]	1
11432	SHORT	RD	mA	mAverage, Harmonic I Diff2	[23]	1
11433	SHORT	RD	mA	mAverage, Harmonic I Diff2	[24]	1
11434	SHORT	RD	mA	mAverage, Harmonic I Diff2	[25]	1
11435	SHORT	RD	mA	mAverage, Harmonic I Diff2	[26]	1
11436	SHORT	RD	mA	mAverage, Harmonic I Diff2	[27]	1
11437	SHORT	RD	mA	mAverage, Harmonic I Diff2	[28]	1
11438	SHORT	RD	mA	mAverage, Harmonic I Diff2	[29]	1
11439	SHORT	RD	mA	mAverage, Harmonic I Diff2	[30]	1
11440	SHORT	RD	mA	mAverage, Harmonic I Diff2	[31]	1
11441	SHORT	RD	mA	mAverage, Harmonic I Diff2	[32]	1
11442	SHORT	RD	mA	mAverage, Harmonic I Diff2	[33]	1
11443	SHORT	RD	mA	mAverage, Harmonic I Diff2	[34]	1
11444	SHORT	RD	mA	mAverage, Harmonic I Diff2	[35]	1
11445	SHORT	RD	mA	mAverage, Harmonic I Diff2	[36]	1
11446	SHORT	RD	mA	mAverage, Harmonic I Diff2	[37]	1
11447	SHORT	RD	mA	mAverage, Harmonic I Diff2	[38]	1
11448	SHORT	RD	mA	mAverage, Harmonic I Diff2	[39]	1

Maximum values, type float, fourier analysis

Address	Format	RD/WR	Unit	Note	Index
2598	FLOAT	RD	V	Maximum, Harmonic U L1	[0]
2600	FLOAT	RD	V	Maximum, Harmonic U L1	[1]
2602	FLOAT	RD	V	Maximum, Harmonic U L1	[2]
2604	FLOAT	RD	V	Maximum, Harmonic U L1	[3]
2606	FLOAT	RD	V	Maximum, Harmonic U L1	[4]
2608	FLOAT	RD	V	Maximum, Harmonic U L1	[5]
2610	FLOAT	RD	V	Maximum, Harmonic U L1	[6]
2612	FLOAT	RD	V	Maximum, Harmonic U L1	[7]
2614	FLOAT	RD	V	Maximum, Harmonic U L1	[8]
2616	FLOAT	RD	V	Maximum, Harmonic U L1	[9]
2618	FLOAT	RD	V	Maximum, Harmonic U L1	[10]
2620	FLOAT	RD	V	Maximum, Harmonic U L1	[11]
2622	FLOAT	RD	V	Maximum, Harmonic U L1	[12]
2624	FLOAT	RD	V	Maximum, Harmonic U L1	[13]
2626	FLOAT	RD	V	Maximum, Harmonic U L1	[14]
2628	FLOAT	RD	V	Maximum, Harmonic U L1	[15]
2630	FLOAT	RD	V	Maximum, Harmonic U L1	[16]
2632	FLOAT	RD	V	Maximum, Harmonic U L1	[17]
2634	FLOAT	RD	V	Maximum, Harmonic U L1	[18]
2636	FLOAT	RD	V	Maximum, Harmonic U L1	[19]
2638	FLOAT	RD	V	Maximum, Harmonic U L1	[20]
2640	FLOAT	RD	V	Maximum, Harmonic U L1	[21]
2642	FLOAT	RD	V	Maximum, Harmonic U L1	[22]
2644	FLOAT	RD	V	Maximum, Harmonic U L1	[23]
2646	FLOAT	RD	V	Maximum, Harmonic U L1	[24]
2648	FLOAT	RD	V	Maximum, Harmonic U L1	[25]
2650	FLOAT	RD	V	Maximum, Harmonic U L1	[26]
2652	FLOAT	RD	V	Maximum, Harmonic U L1	[27]
2654	FLOAT	RD	V	Maximum, Harmonic U L1	[28]
2656	FLOAT	RD	V	Maximum, Harmonic U L1	[29]
2658	FLOAT	RD	V	Maximum, Harmonic U L1	[30]
2660	FLOAT	RD	V	Maximum, Harmonic U L1	[31]
2662	FLOAT	RD	V	Maximum, Harmonic U L1	[32]
2664	FLOAT	RD	V	Maximum, Harmonic U L1	[33]
2666	FLOAT	RD	V	Maximum, Harmonic U L1	[34]
2668	FLOAT	RD	V	Maximum, Harmonic U L1	[35]
2670	FLOAT	RD	V	Maximum, Harmonic U L1	[36]
2672	FLOAT	RD	V	Maximum, Harmonic U L1	[37]
2674	FLOAT	RD	V	Maximum, Harmonic U L1	[38]
2676	FLOAT	RD	V	Maximum, Harmonic U L1	[39]
2678	FLOAT	RD	V	Maximum, Harmonic U L2	[0]
2680	FLOAT	RD	V	Maximum, Harmonic U L2	[1]
2682	FLOAT	RD	V	Maximum, Harmonic U L2	[2]
2684	FLOAT	RD	V	Maximum, Harmonic U L2	[3]
2686	FLOAT	RD	V	Maximum, Harmonic U L2	[4]
2688	FLOAT	RD	V	Maximum, Harmonic U L2	[5]
2690	FLOAT	RD	V	Maximum, Harmonic U L2	[6]
2692	FLOAT	RD	V	Maximum, Harmonic U L2	[7]
2694	FLOAT	RD	V	Maximum, Harmonic U L2	[8]
2696	FLOAT	RD	V	Maximum, Harmonic U L2	[9]
2698	FLOAT	RD	V	Maximum, Harmonic U L2	[10]
2700	FLOAT	RD	V	Maximum, Harmonic U L2	[11]
2702	FLOAT	RD	V	Maximum, Harmonic U L2	[12]
2704	FLOAT	RD	V	Maximum, Harmonic U L2	[13]
2706	FLOAT	RD	V	Maximum, Harmonic U L2	[14]
2708	FLOAT	RD	V	Maximum, Harmonic U L2	[15]
2710	FLOAT	RD	V	Maximum, Harmonic U L2	[16]
2712	FLOAT	RD	V	Maximum, Harmonic U L2	[17]
2714	FLOAT	RD	V	Maximum, Harmonic U L2	[18]
2716	FLOAT	RD	V	Maximum, Harmonic U L2	[19]
2718	FLOAT	RD	V	Maximum, Harmonic U L2	[20]
2720	FLOAT	RD	V	Maximum, Harmonic U L2	[21]
2722	FLOAT	RD	V	Maximum, Harmonic U L2	[22]
2724	FLOAT	RD	V	Maximum, Harmonic U L2	[23]
2726	FLOAT	RD	V	Maximum, Harmonic U L2	[24]
2728	FLOAT	RD	V	Maximum, Harmonic U L2	[25]

Address	Format	RD/WR	Unit	Note	Index
2730	FLOAT	RD	V	Maximum, Harmonic U L2	[26]
2732	FLOAT	RD	V	Maximum, Harmonic U L2	[27]
2734	FLOAT	RD	V	Maximum, Harmonic U L2	[28]
2736	FLOAT	RD	V	Maximum, Harmonic U L2	[29]
2738	FLOAT	RD	V	Maximum, Harmonic U L2	[30]
2740	FLOAT	RD	V	Maximum, Harmonic U L2	[31]
2742	FLOAT	RD	V	Maximum, Harmonic U L2	[32]
2744	FLOAT	RD	V	Maximum, Harmonic U L2	[33]
2746	FLOAT	RD	V	Maximum, Harmonic U L2	[34]
2748	FLOAT	RD	V	Maximum, Harmonic U L2	[35]
2750	FLOAT	RD	V	Maximum, Harmonic U L2	[36]
2752	FLOAT	RD	V	Maximum, Harmonic U L2	[37]
2754	FLOAT	RD	V	Maximum, Harmonic U L2	[38]
2756	FLOAT	RD	V	Maximum, Harmonic U L2	[39]
2758	FLOAT	RD	V	Maximum, Harmonic U L3	[0]
2760	FLOAT	RD	V	Maximum, Harmonic U L3	[1]
2762	FLOAT	RD	V	Maximum, Harmonic U L3	[2]
2764	FLOAT	RD	V	Maximum, Harmonic U L3	[3]
2766	FLOAT	RD	V	Maximum, Harmonic U L3	[4]
2768	FLOAT	RD	V	Maximum, Harmonic U L3	[5]
2770	FLOAT	RD	V	Maximum, Harmonic U L3	[6]
2772	FLOAT	RD	V	Maximum, Harmonic U L3	[7]
2774	FLOAT	RD	V	Maximum, Harmonic U L3	[8]
2776	FLOAT	RD	V	Maximum, Harmonic U L3	[9]
2778	FLOAT	RD	V	Maximum, Harmonic U L3	[10]
2780	FLOAT	RD	V	Maximum, Harmonic U L3	[11]
2782	FLOAT	RD	V	Maximum, Harmonic U L3	[12]
2784	FLOAT	RD	V	Maximum, Harmonic U L3	[13]
2786	FLOAT	RD	V	Maximum, Harmonic U L3	[14]
2788	FLOAT	RD	V	Maximum, Harmonic U L3	[15]
2790	FLOAT	RD	V	Maximum, Harmonic U L3	[16]
2792	FLOAT	RD	V	Maximum, Harmonic U L3	[17]
2794	FLOAT	RD	V	Maximum, Harmonic U L3	[18]
2796	FLOAT	RD	V	Maximum, Harmonic U L3	[19]
2798	FLOAT	RD	V	Maximum, Harmonic U L3	[20]
2800	FLOAT	RD	V	Maximum, Harmonic U L3	[21]
2802	FLOAT	RD	V	Maximum, Harmonic U L3	[22]
2804	FLOAT	RD	V	Maximum, Harmonic U L3	[23]
2806	FLOAT	RD	V	Maximum, Harmonic U L3	[24]
2808	FLOAT	RD	V	Maximum, Harmonic U L3	[25]
2810	FLOAT	RD	V	Maximum, Harmonic U L3	[26]
2812	FLOAT	RD	V	Maximum, Harmonic U L3	[27]
2814	FLOAT	RD	V	Maximum, Harmonic U L3	[28]
2816	FLOAT	RD	V	Maximum, Harmonic U L3	[29]
2818	FLOAT	RD	V	Maximum, Harmonic U L3	[30]
2820	FLOAT	RD	V	Maximum, Harmonic U L3	[31]
2822	FLOAT	RD	V	Maximum, Harmonic U L3	[32]
2824	FLOAT	RD	V	Maximum, Harmonic U L3	[33]
2826	FLOAT	RD	V	Maximum, Harmonic U L3	[34]
2828	FLOAT	RD	V	Maximum, Harmonic U L3	[35]
2830	FLOAT	RD	V	Maximum, Harmonic U L3	[36]
2832	FLOAT	RD	V	Maximum, Harmonic U L3	[37]
2834	FLOAT	RD	V	Maximum, Harmonic U L3	[38]
2836	FLOAT	RD	V	Maximum, Harmonic U L3	[39]
2838	FLOAT	RD	V	Maximum, Harmonic U L1-L2	[0]
2840	FLOAT	RD	V	Maximum, Harmonic U L1-L2	[1]
2842	FLOAT	RD	V	Maximum, Harmonic U L1-L2	[2]
2844	FLOAT	RD	V	Maximum, Harmonic U L1-L2	[3]
2846	FLOAT	RD	V	Maximum, Harmonic U L1-L2	[4]
2848	FLOAT	RD	V	Maximum, Harmonic U L1-L2	[5]
2850	FLOAT	RD	V	Maximum, Harmonic U L1-L2	[6]
2852	FLOAT	RD	V	Maximum, Harmonic U L1-L2	[7]
2854	FLOAT	RD	V	Maximum, Harmonic U L1-L2	[8]
2856	FLOAT	RD	V	Maximum, Harmonic U L1-L2	[9]
2858	FLOAT	RD	V	Maximum, Harmonic U L1-L2	[10]
2860	FLOAT	RD	V	Maximum, Harmonic U L1-L2	[11]

Address	Format	RD/WR	Unit	Note	Index
2862	FLOAT	RD	V	Maximum, Harmonic U L1-L2	[12]
2864	FLOAT	RD	V	Maximum, Harmonic U L1-L2	[13]
2866	FLOAT	RD	V	Maximum, Harmonic U L1-L2	[14]
2868	FLOAT	RD	V	Maximum, Harmonic U L1-L2	[15]
2870	FLOAT	RD	V	Maximum, Harmonic U L1-L2	[16]
2872	FLOAT	RD	V	Maximum, Harmonic U L1-L2	[17]
2874	FLOAT	RD	V	Maximum, Harmonic U L1-L2	[18]
2876	FLOAT	RD	V	Maximum, Harmonic U L1-L2	[19]
2878	FLOAT	RD	V	Maximum, Harmonic U L1-L2	[20]
2880	FLOAT	RD	V	Maximum, Harmonic U L1-L2	[21]
2882	FLOAT	RD	V	Maximum, Harmonic U L1-L2	[22]
2884	FLOAT	RD	V	Maximum, Harmonic U L1-L2	[23]
2886	FLOAT	RD	V	Maximum, Harmonic U L1-L2	[24]
2888	FLOAT	RD	V	Maximum, Harmonic U L1-L2	[25]
2890	FLOAT	RD	V	Maximum, Harmonic U L1-L2	[26]
2892	FLOAT	RD	V	Maximum, Harmonic U L1-L2	[27]
2894	FLOAT	RD	V	Maximum, Harmonic U L1-L2	[28]
2896	FLOAT	RD	V	Maximum, Harmonic U L1-L2	[29]
2898	FLOAT	RD	V	Maximum, Harmonic U L1-L2	[30]
2900	FLOAT	RD	V	Maximum, Harmonic U L1-L2	[31]
2902	FLOAT	RD	V	Maximum, Harmonic U L1-L2	[32]
2904	FLOAT	RD	V	Maximum, Harmonic U L1-L2	[33]
2906	FLOAT	RD	V	Maximum, Harmonic U L1-L2	[34]
2908	FLOAT	RD	V	Maximum, Harmonic U L1-L2	[35]
2910	FLOAT	RD	V	Maximum, Harmonic U L1-L2	[36]
2912	FLOAT	RD	V	Maximum, Harmonic U L1-L2	[37]
2914	FLOAT	RD	V	Maximum, Harmonic U L1-L2	[38]
2916	FLOAT	RD	V	Maximum, Harmonic U L1-L2	[39]
2918	FLOAT	RD	V	Maximum, Harmonic U L2-L3	[0]
2920	FLOAT	RD	V	Maximum, Harmonic U L2-L3	[1]
2922	FLOAT	RD	V	Maximum, Harmonic U L2-L3	[2]
2924	FLOAT	RD	V	Maximum, Harmonic U L2-L3	[3]
2926	FLOAT	RD	V	Maximum, Harmonic U L2-L3	[4]
2928	FLOAT	RD	V	Maximum, Harmonic U L2-L3	[5]
2930	FLOAT	RD	V	Maximum, Harmonic U L2-L3	[6]
2932	FLOAT	RD	V	Maximum, Harmonic U L2-L3	[7]
2934	FLOAT	RD	V	Maximum, Harmonic U L2-L3	[8]
2936	FLOAT	RD	V	Maximum, Harmonic U L2-L3	[9]
2938	FLOAT	RD	V	Maximum, Harmonic U L2-L3	[10]
2940	FLOAT	RD	V	Maximum, Harmonic U L2-L3	[11]
2942	FLOAT	RD	V	Maximum, Harmonic U L2-L3	[12]
2944	FLOAT	RD	V	Maximum, Harmonic U L2-L3	[13]
2946	FLOAT	RD	V	Maximum, Harmonic U L2-L3	[14]
2948	FLOAT	RD	V	Maximum, Harmonic U L2-L3	[15]
2950	FLOAT	RD	V	Maximum, Harmonic U L2-L3	[16]
2952	FLOAT	RD	V	Maximum, Harmonic U L2-L3	[17]
2954	FLOAT	RD	V	Maximum, Harmonic U L2-L3	[18]
2956	FLOAT	RD	V	Maximum, Harmonic U L2-L3	[19]
2958	FLOAT	RD	V	Maximum, Harmonic U L2-L3	[20]
2960	FLOAT	RD	V	Maximum, Harmonic U L2-L3	[21]
2962	FLOAT	RD	V	Maximum, Harmonic U L2-L3	[22]
2964	FLOAT	RD	V	Maximum, Harmonic U L2-L3	[23]
2966	FLOAT	RD	V	Maximum, Harmonic U L2-L3	[24]
2968	FLOAT	RD	V	Maximum, Harmonic U L2-L3	[25]
2970	FLOAT	RD	V	Maximum, Harmonic U L2-L3	[26]
2972	FLOAT	RD	V	Maximum, Harmonic U L2-L3	[27]
2974	FLOAT	RD	V	Maximum, Harmonic U L2-L3	[28]
2976	FLOAT	RD	V	Maximum, Harmonic U L2-L3	[29]
2978	FLOAT	RD	V	Maximum, Harmonic U L2-L3	[30]
2980	FLOAT	RD	V	Maximum, Harmonic U L2-L3	[31]
2982	FLOAT	RD	V	Maximum, Harmonic U L2-L3	[32]
2984	FLOAT	RD	V	Maximum, Harmonic U L2-L3	[33]
2986	FLOAT	RD	V	Maximum, Harmonic U L2-L3	[34]
2988	FLOAT	RD	V	Maximum, Harmonic U L2-L3	[35]
2990	FLOAT	RD	V	Maximum, Harmonic U L2-L3	[36]
2992	FLOAT	RD	V	Maximum, Harmonic U L2-L3	[37]

Address	Format	RD/WR	Unit	Note	Index
2994	FLOAT	RD	V	Maximum, Harmonic U L2-L3	[38]
2996	FLOAT	RD	V	Maximum, Harmonic U L2-L3	[39]
2998	FLOAT	RD	V	Maximum, Harmonic U L3-L1	[0]
3000	FLOAT	RD	V	Maximum, Harmonic U L3-L1	[1]
3002	FLOAT	RD	V	Maximum, Harmonic U L3-L1	[2]
3004	FLOAT	RD	V	Maximum, Harmonic U L3-L1	[3]
3006	FLOAT	RD	V	Maximum, Harmonic U L3-L1	[4]
3008	FLOAT	RD	V	Maximum, Harmonic U L3-L1	[5]
3010	FLOAT	RD	V	Maximum, Harmonic U L3-L1	[6]
3012	FLOAT	RD	V	Maximum, Harmonic U L3-L1	[7]
3014	FLOAT	RD	V	Maximum, Harmonic U L3-L1	[8]
3016	FLOAT	RD	V	Maximum, Harmonic U L3-L1	[9]
3018	FLOAT	RD	V	Maximum, Harmonic U L3-L1	[10]
3020	FLOAT	RD	V	Maximum, Harmonic U L3-L1	[11]
3022	FLOAT	RD	V	Maximum, Harmonic U L3-L1	[12]
3024	FLOAT	RD	V	Maximum, Harmonic U L3-L1	[13]
3026	FLOAT	RD	V	Maximum, Harmonic U L3-L1	[14]
3028	FLOAT	RD	V	Maximum, Harmonic U L3-L1	[15]
3030	FLOAT	RD	V	Maximum, Harmonic U L3-L1	[16]
3032	FLOAT	RD	V	Maximum, Harmonic U L3-L1	[17]
3034	FLOAT	RD	V	Maximum, Harmonic U L3-L1	[18]
3036	FLOAT	RD	V	Maximum, Harmonic U L3-L1	[19]
3038	FLOAT	RD	V	Maximum, Harmonic U L3-L1	[20]
3040	FLOAT	RD	V	Maximum, Harmonic U L3-L1	[21]
3042	FLOAT	RD	V	Maximum, Harmonic U L3-L1	[22]
3044	FLOAT	RD	V	Maximum, Harmonic U L3-L1	[23]
3046	FLOAT	RD	V	Maximum, Harmonic U L3-L1	[24]
3048	FLOAT	RD	V	Maximum, Harmonic U L3-L1	[25]
3050	FLOAT	RD	V	Maximum, Harmonic U L3-L1	[26]
3052	FLOAT	RD	V	Maximum, Harmonic U L3-L1	[27]
3054	FLOAT	RD	V	Maximum, Harmonic U L3-L1	[28]
3056	FLOAT	RD	V	Maximum, Harmonic U L3-L1	[29]
3058	FLOAT	RD	V	Maximum, Harmonic U L3-L1	[30]
3060	FLOAT	RD	V	Maximum, Harmonic U L3-L1	[31]
3062	FLOAT	RD	V	Maximum, Harmonic U L3-L1	[32]
3064	FLOAT	RD	V	Maximum, Harmonic U L3-L1	[33]
3066	FLOAT	RD	V	Maximum, Harmonic U L3-L1	[34]
3068	FLOAT	RD	V	Maximum, Harmonic U L3-L1	[35]
3070	FLOAT	RD	V	Maximum, Harmonic U L3-L1	[36]
3072	FLOAT	RD	V	Maximum, Harmonic U L3-L1	[37]
3074	FLOAT	RD	V	Maximum, Harmonic U L3-L1	[38]
3076	FLOAT	RD	V	Maximum, Harmonic U L3-L1	[39]
3118	FLOAT	RD	A	Maximum, Harmonic I L1	[0]
3120	FLOAT	RD	A	Maximum, Harmonic I L1	[1]
3122	FLOAT	RD	A	Maximum, Harmonic I L1	[2]
3124	FLOAT	RD	A	Maximum, Harmonic I L1	[3]
3126	FLOAT	RD	A	Maximum, Harmonic I L1	[4]
3128	FLOAT	RD	A	Maximum, Harmonic I L1	[5]
3130	FLOAT	RD	A	Maximum, Harmonic I L1	[6]
3132	FLOAT	RD	A	Maximum, Harmonic I L1	[7]
3134	FLOAT	RD	A	Maximum, Harmonic I L1	[8]
3136	FLOAT	RD	A	Maximum, Harmonic I L1	[9]
3138	FLOAT	RD	A	Maximum, Harmonic I L1	[10]
3140	FLOAT	RD	A	Maximum, Harmonic I L1	[11]
3142	FLOAT	RD	A	Maximum, Harmonic I L1	[12]
3144	FLOAT	RD	A	Maximum, Harmonic I L1	[13]
3146	FLOAT	RD	A	Maximum, Harmonic I L1	[14]
3148	FLOAT	RD	A	Maximum, Harmonic I L1	[15]
3150	FLOAT	RD	A	Maximum, Harmonic I L1	[16]
3152	FLOAT	RD	A	Maximum, Harmonic I L1	[17]
3154	FLOAT	RD	A	Maximum, Harmonic I L1	[18]
3156	FLOAT	RD	A	Maximum, Harmonic I L1	[19]
3158	FLOAT	RD	A	Maximum, Harmonic I L1	[20]
3160	FLOAT	RD	A	Maximum, Harmonic I L1	[21]
3162	FLOAT	RD	A	Maximum, Harmonic I L1	[22]
3164	FLOAT	RD	A	Maximum, Harmonic I L1	[23]

Address	Format	RD/WR	Unit	Note	Index
3166	FLOAT	RD	A	Maximum, Harmonic I L1	[24]
3168	FLOAT	RD	A	Maximum, Harmonic I L1	[25]
3170	FLOAT	RD	A	Maximum, Harmonic I L1	[26]
3172	FLOAT	RD	A	Maximum, Harmonic I L1	[27]
3174	FLOAT	RD	A	Maximum, Harmonic I L1	[28]
3176	FLOAT	RD	A	Maximum, Harmonic I L1	[29]
3178	FLOAT	RD	A	Maximum, Harmonic I L1	[30]
3180	FLOAT	RD	A	Maximum, Harmonic I L1	[31]
3182	FLOAT	RD	A	Maximum, Harmonic I L1	[32]
3184	FLOAT	RD	A	Maximum, Harmonic I L1	[33]
3186	FLOAT	RD	A	Maximum, Harmonic I L1	[34]
3188	FLOAT	RD	A	Maximum, Harmonic I L1	[35]
3190	FLOAT	RD	A	Maximum, Harmonic I L1	[36]
3192	FLOAT	RD	A	Maximum, Harmonic I L1	[37]
3194	FLOAT	RD	A	Maximum, Harmonic I L1	[38]
3196	FLOAT	RD	A	Maximum, Harmonic I L1	[39]
3198	FLOAT	RD	A	Maximum, Harmonic I L2	[0]
3200	FLOAT	RD	A	Maximum, Harmonic I L2	[1]
3202	FLOAT	RD	A	Maximum, Harmonic I L2	[2]
3204	FLOAT	RD	A	Maximum, Harmonic I L2	[3]
3206	FLOAT	RD	A	Maximum, Harmonic I L2	[4]
3208	FLOAT	RD	A	Maximum, Harmonic I L2	[5]
3210	FLOAT	RD	A	Maximum, Harmonic I L2	[6]
3212	FLOAT	RD	A	Maximum, Harmonic I L2	[7]
3214	FLOAT	RD	A	Maximum, Harmonic I L2	[8]
3216	FLOAT	RD	A	Maximum, Harmonic I L2	[9]
3218	FLOAT	RD	A	Maximum, Harmonic I L2	[10]
3220	FLOAT	RD	A	Maximum, Harmonic I L2	[11]
3222	FLOAT	RD	A	Maximum, Harmonic I L2	[12]
3224	FLOAT	RD	A	Maximum, Harmonic I L2	[13]
3226	FLOAT	RD	A	Maximum, Harmonic I L2	[14]
3228	FLOAT	RD	A	Maximum, Harmonic I L2	[15]
3230	FLOAT	RD	A	Maximum, Harmonic I L2	[16]
3232	FLOAT	RD	A	Maximum, Harmonic I L2	[17]
3234	FLOAT	RD	A	Maximum, Harmonic I L2	[18]
3236	FLOAT	RD	A	Maximum, Harmonic I L2	[19]
3238	FLOAT	RD	A	Maximum, Harmonic I L2	[20]
3240	FLOAT	RD	A	Maximum, Harmonic I L2	[21]
3242	FLOAT	RD	A	Maximum, Harmonic I L2	[22]
3244	FLOAT	RD	A	Maximum, Harmonic I L2	[23]
3246	FLOAT	RD	A	Maximum, Harmonic I L2	[24]
3248	FLOAT	RD	A	Maximum, Harmonic I L2	[25]
3250	FLOAT	RD	A	Maximum, Harmonic I L2	[26]
3252	FLOAT	RD	A	Maximum, Harmonic I L2	[27]
3254	FLOAT	RD	A	Maximum, Harmonic I L2	[28]
3256	FLOAT	RD	A	Maximum, Harmonic I L2	[29]
3258	FLOAT	RD	A	Maximum, Harmonic I L2	[30]
3260	FLOAT	RD	A	Maximum, Harmonic I L2	[31]
3262	FLOAT	RD	A	Maximum, Harmonic I L2	[32]
3264	FLOAT	RD	A	Maximum, Harmonic I L2	[33]
3266	FLOAT	RD	A	Maximum, Harmonic I L2	[34]
3268	FLOAT	RD	A	Maximum, Harmonic I L2	[35]
3270	FLOAT	RD	A	Maximum, Harmonic I L2	[36]
3272	FLOAT	RD	A	Maximum, Harmonic I L2	[37]
3274	FLOAT	RD	A	Maximum, Harmonic I L2	[38]
3276	FLOAT	RD	A	Maximum, Harmonic I L2	[39]
3278	FLOAT	RD	A	Maximum, Harmonic I L3	[0]
3280	FLOAT	RD	A	Maximum, Harmonic I L3	[1]
3282	FLOAT	RD	A	Maximum, Harmonic I L3	[2]
3284	FLOAT	RD	A	Maximum, Harmonic I L3	[3]
3286	FLOAT	RD	A	Maximum, Harmonic I L3	[4]
3288	FLOAT	RD	A	Maximum, Harmonic I L3	[5]
3290	FLOAT	RD	A	Maximum, Harmonic I L3	[6]
3292	FLOAT	RD	A	Maximum, Harmonic I L3	[7]
3294	FLOAT	RD	A	Maximum, Harmonic I L3	[8]
3296	FLOAT	RD	A	Maximum, Harmonic I L3	[9]

Address	Format	RD/WR	Unit	Note	Index
3298	FLOAT	RD	A	Maximum, Harmonic I L3	[10]
3300	FLOAT	RD	A	Maximum, Harmonic I L3	[11]
3302	FLOAT	RD	A	Maximum, Harmonic I L3	[12]
3304	FLOAT	RD	A	Maximum, Harmonic I L3	[13]
3306	FLOAT	RD	A	Maximum, Harmonic I L3	[14]
3308	FLOAT	RD	A	Maximum, Harmonic I L3	[15]
3310	FLOAT	RD	A	Maximum, Harmonic I L3	[16]
3312	FLOAT	RD	A	Maximum, Harmonic I L3	[17]
3314	FLOAT	RD	A	Maximum, Harmonic I L3	[18]
3316	FLOAT	RD	A	Maximum, Harmonic I L3	[19]
3318	FLOAT	RD	A	Maximum, Harmonic I L3	[20]
3320	FLOAT	RD	A	Maximum, Harmonic I L3	[21]
3322	FLOAT	RD	A	Maximum, Harmonic I L3	[22]
3324	FLOAT	RD	A	Maximum, Harmonic I L3	[23]
3326	FLOAT	RD	A	Maximum, Harmonic I L3	[24]
3328	FLOAT	RD	A	Maximum, Harmonic I L3	[25]
3330	FLOAT	RD	A	Maximum, Harmonic I L3	[26]
3332	FLOAT	RD	A	Maximum, Harmonic I L3	[27]
3334	FLOAT	RD	A	Maximum, Harmonic I L3	[28]
3336	FLOAT	RD	A	Maximum, Harmonic I L3	[29]
3338	FLOAT	RD	A	Maximum, Harmonic I L3	[30]
3340	FLOAT	RD	A	Maximum, Harmonic I L3	[31]
3342	FLOAT	RD	A	Maximum, Harmonic I L3	[32]
3344	FLOAT	RD	A	Maximum, Harmonic I L3	[33]
3346	FLOAT	RD	A	Maximum, Harmonic I L3	[34]
3348	FLOAT	RD	A	Maximum, Harmonic I L3	[35]
3350	FLOAT	RD	A	Maximum, Harmonic I L3	[36]
3352	FLOAT	RD	A	Maximum, Harmonic I L3	[37]
3354	FLOAT	RD	A	Maximum, Harmonic I L3	[38]
3356	FLOAT	RD	A	Maximum, Harmonic I L3	[39]
10563	FLOAT	RD	A	Maximum, Harmonic I L4	[0]
10565	FLOAT	RD	A	Maximum, Harmonic I L4	[1]
10567	FLOAT	RD	A	Maximum, Harmonic I L4	[2]
10569	FLOAT	RD	A	Maximum, Harmonic I L4	[3]
10571	FLOAT	RD	A	Maximum, Harmonic I L4	[4]
10573	FLOAT	RD	A	Maximum, Harmonic I L4	[5]
10575	FLOAT	RD	A	Maximum, Harmonic I L4	[6]
10577	FLOAT	RD	A	Maximum, Harmonic I L4	[7]
10579	FLOAT	RD	A	Maximum, Harmonic I L4	[8]
10581	FLOAT	RD	A	Maximum, Harmonic I L4	[8]
10583	FLOAT	RD	A	Maximum, Harmonic I L4	[10]
10585	FLOAT	RD	A	Maximum, Harmonic I L4	[11]
10587	FLOAT	RD	A	Maximum, Harmonic I L4	[12]
10589	FLOAT	RD	A	Maximum, Harmonic I L4	[13]
10591	FLOAT	RD	A	Maximum, Harmonic I L4	[14]
10593	FLOAT	RD	A	Maximum, Harmonic I L4	[15]
10595	FLOAT	RD	A	Maximum, Harmonic I L4	[16]
10597	FLOAT	RD	A	Maximum, Harmonic I L4	[17]
10599	FLOAT	RD	A	Maximum, Harmonic I L4	[18]
10601	FLOAT	RD	A	Maximum, Harmonic I L4	[19]
10603	FLOAT	RD	A	Maximum, Harmonic I L4	[20]
10605	FLOAT	RD	A	Maximum, Harmonic I L4	[21]
10607	FLOAT	RD	A	Maximum, Harmonic I L4	[22]
10609	FLOAT	RD	A	Maximum, Harmonic I L4	[23]
10611	FLOAT	RD	A	Maximum, Harmonic I L4	[24]
10613	FLOAT	RD	A	Maximum, Harmonic I L4	[25]
10615	FLOAT	RD	A	Maximum, Harmonic I L4	[26]
10617	FLOAT	RD	A	Maximum, Harmonic I L4	[27]
10619	FLOAT	RD	A	Maximum, Harmonic I L4	[28]
10621	FLOAT	RD	A	Maximum, Harmonic I L4	[29]
10623	FLOAT	RD	A	Maximum, Harmonic I L4	[30]
10625	FLOAT	RD	A	Maximum, Harmonic I L4	[31]
10627	FLOAT	RD	A	Maximum, Harmonic I L4	[32]
10629	FLOAT	RD	A	Maximum, Harmonic I L4	[33]
10631	FLOAT	RD	A	Maximum, Harmonic I L4	[34]

Address	Format	RD/WR	Unit	Note	Index
10633	FLOAT	RD	A	Maximum, Harmonic I L4	[35]
10635	FLOAT	RD	A	Maximum, Harmonic I L4	[36]
10637	FLOAT	RD	A	Maximum, Harmonic I L4	[37]
10639	FLOAT	RD	A	Maximum, Harmonic I L4	[38]
10641	FLOAT	RD	A	Maximum, Harmonic I L4	[39]

Address	Format	RD/WR	Unit	Note	Index
---------	--------	-------	------	------	-------

Maximum values, type short, fourier analysis

Address	Format	RD/WR	Unit	Note	Index	Resolution
4395	SHORT	RD	V	Maximum, Harmonic U L1	[0]	0,1
4396	SHORT	RD	V	Maximum, Harmonic U L1	[1]	0,1
4397	SHORT	RD	V	Maximum, Harmonic U L1	[2]	0,1
4398	SHORT	RD	V	Maximum, Harmonic U L1	[3]	0,1
4399	SHORT	RD	V	Maximum, Harmonic U L1	[4]	0,1
4400	SHORT	RD	V	Maximum, Harmonic U L1	[5]	0,1
4401	SHORT	RD	V	Maximum, Harmonic U L1	[6]	0,1
4402	SHORT	RD	V	Maximum, Harmonic U L1	[7]	0,1
4403	SHORT	RD	V	Maximum, Harmonic U L1	[8]	0,1
4404	SHORT	RD	V	Maximum, Harmonic U L1	[9]	0,1
4405	SHORT	RD	V	Maximum, Harmonic U L1	[10]	0,1
4406	SHORT	RD	V	Maximum, Harmonic U L1	[11]	0,1
4407	SHORT	RD	V	Maximum, Harmonic U L1	[12]	0,1
4408	SHORT	RD	V	Maximum, Harmonic U L1	[13]	0,1
4409	SHORT	RD	V	Maximum, Harmonic U L1	[14]	0,1
4410	SHORT	RD	V	Maximum, Harmonic U L1	[15]	0,1
4411	SHORT	RD	V	Maximum, Harmonic U L1	[16]	0,1
4412	SHORT	RD	V	Maximum, Harmonic U L1	[17]	0,1
4413	SHORT	RD	V	Maximum, Harmonic U L1	[18]	0,1
4414	SHORT	RD	V	Maximum, Harmonic U L1	[19]	0,1
4415	SHORT	RD	V	Maximum, Harmonic U L1	[20]	0,1
4416	SHORT	RD	V	Maximum, Harmonic U L1	[21]	0,1
4417	SHORT	RD	V	Maximum, Harmonic U L1	[22]	0,1
4418	SHORT	RD	V	Maximum, Harmonic U L1	[23]	0,1
4419	SHORT	RD	V	Maximum, Harmonic U L1	[24]	0,1
4420	SHORT	RD	V	Maximum, Harmonic U L1	[25]	0,1
4421	SHORT	RD	V	Maximum, Harmonic U L1	[26]	0,1
4422	SHORT	RD	V	Maximum, Harmonic U L1	[27]	0,1
4423	SHORT	RD	V	Maximum, Harmonic U L1	[28]	0,1
4424	SHORT	RD	V	Maximum, Harmonic U L1	[29]	0,1
4425	SHORT	RD	V	Maximum, Harmonic U L1	[30]	0,1
4426	SHORT	RD	V	Maximum, Harmonic U L1	[31]	0,1
4427	SHORT	RD	V	Maximum, Harmonic U L1	[32]	0,1
4428	SHORT	RD	V	Maximum, Harmonic U L1	[33]	0,1
4429	SHORT	RD	V	Maximum, Harmonic U L1	[34]	0,1
4430	SHORT	RD	V	Maximum, Harmonic U L1	[35]	0,1
4431	SHORT	RD	V	Maximum, Harmonic U L1	[36]	0,1
4432	SHORT	RD	V	Maximum, Harmonic U L1	[37]	0,1
4433	SHORT	RD	V	Maximum, Harmonic U L1	[38]	0,1
4434	SHORT	RD	V	Maximum, Harmonic U L1	[39]	0,1
4435	SHORT	RD	V	Maximum, Harmonic U L2	[0]	0,1
4436	SHORT	RD	V	Maximum, Harmonic U L2	[1]	0,1
4437	SHORT	RD	V	Maximum, Harmonic U L2	[2]	0,1
4438	SHORT	RD	V	Maximum, Harmonic U L2	[3]	0,1
4439	SHORT	RD	V	Maximum, Harmonic U L2	[4]	0,1
4440	SHORT	RD	V	Maximum, Harmonic U L2	[5]	0,1
4441	SHORT	RD	V	Maximum, Harmonic U L2	[6]	0,1
4442	SHORT	RD	V	Maximum, Harmonic U L2	[7]	0,1
4443	SHORT	RD	V	Maximum, Harmonic U L2	[8]	0,1
4444	SHORT	RD	V	Maximum, Harmonic U L2	[9]	0,1
4445	SHORT	RD	V	Maximum, Harmonic U L2	[10]	0,1
4446	SHORT	RD	V	Maximum, Harmonic U L2	[11]	0,1
4447	SHORT	RD	V	Maximum, Harmonic U L2	[12]	0,1
4448	SHORT	RD	V	Maximum, Harmonic U L2	[13]	0,1
4449	SHORT	RD	V	Maximum, Harmonic U L2	[14]	0,1
4450	SHORT	RD	V	Maximum, Harmonic U L2	[15]	0,1
4451	SHORT	RD	V	Maximum, Harmonic U L2	[16]	0,1
4452	SHORT	RD	V	Maximum, Harmonic U L2	[17]	0,1
4453	SHORT	RD	V	Maximum, Harmonic U L2	[18]	0,1
4454	SHORT	RD	V	Maximum, Harmonic U L2	[19]	0,1
4455	SHORT	RD	V	Maximum, Harmonic U L2	[20]	0,1
4456	SHORT	RD	V	Maximum, Harmonic U L2	[21]	0,1
4457	SHORT	RD	V	Maximum, Harmonic U L2	[22]	0,1
4458	SHORT	RD	V	Maximum, Harmonic U L2	[23]	0,1
4459	SHORT	RD	V	Maximum, Harmonic U L2	[24]	0,1
4460	SHORT	RD	V	Maximum, Harmonic U L2	[25]	0,1

Address	Format	RD/WR	Unit	Note	Index	Resolution
4461	SHORT	RD	V	Maximum, Harmonic U L2	[26]	0,1
4462	SHORT	RD	V	Maximum, Harmonic U L2	[27]	0,1
4463	SHORT	RD	V	Maximum, Harmonic U L2	[28]	0,1
4464	SHORT	RD	V	Maximum, Harmonic U L2	[29]	0,1
4465	SHORT	RD	V	Maximum, Harmonic U L2	[30]	0,1
4466	SHORT	RD	V	Maximum, Harmonic U L2	[31]	0,1
4467	SHORT	RD	V	Maximum, Harmonic U L2	[32]	0,1
4468	SHORT	RD	V	Maximum, Harmonic U L2	[33]	0,1
4469	SHORT	RD	V	Maximum, Harmonic U L2	[34]	0,1
4470	SHORT	RD	V	Maximum, Harmonic U L2	[35]	0,1
4471	SHORT	RD	V	Maximum, Harmonic U L2	[36]	0,1
4472	SHORT	RD	V	Maximum, Harmonic U L2	[37]	0,1
4473	SHORT	RD	V	Maximum, Harmonic U L2	[38]	0,1
4474	SHORT	RD	V	Maximum, Harmonic U L2	[39]	0,1
4475	SHORT	RD	V	Maximum, Harmonic U L3	[0]	0,1
4476	SHORT	RD	V	Maximum, Harmonic U L3	[1]	0,1
4477	SHORT	RD	V	Maximum, Harmonic U L3	[2]	0,1
4478	SHORT	RD	V	Maximum, Harmonic U L3	[3]	0,1
4479	SHORT	RD	V	Maximum, Harmonic U L3	[4]	0,1
4480	SHORT	RD	V	Maximum, Harmonic U L3	[5]	0,1
4481	SHORT	RD	V	Maximum, Harmonic U L3	[6]	0,1
4482	SHORT	RD	V	Maximum, Harmonic U L3	[7]	0,1
4483	SHORT	RD	V	Maximum, Harmonic U L3	[8]	0,1
4484	SHORT	RD	V	Maximum, Harmonic U L3	[9]	0,1
4485	SHORT	RD	V	Maximum, Harmonic U L3	[10]	0,1
4486	SHORT	RD	V	Maximum, Harmonic U L3	[11]	0,1
4487	SHORT	RD	V	Maximum, Harmonic U L3	[12]	0,1
4488	SHORT	RD	V	Maximum, Harmonic U L3	[13]	0,1
4489	SHORT	RD	V	Maximum, Harmonic U L3	[14]	0,1
4490	SHORT	RD	V	Maximum, Harmonic U L3	[15]	0,1
4491	SHORT	RD	V	Maximum, Harmonic U L3	[16]	0,1
4492	SHORT	RD	V	Maximum, Harmonic U L3	[17]	0,1
4493	SHORT	RD	V	Maximum, Harmonic U L3	[18]	0,1
4494	SHORT	RD	V	Maximum, Harmonic U L3	[19]	0,1
4495	SHORT	RD	V	Maximum, Harmonic U L3	[20]	0,1
4496	SHORT	RD	V	Maximum, Harmonic U L3	[21]	0,1
4497	SHORT	RD	V	Maximum, Harmonic U L3	[22]	0,1
4498	SHORT	RD	V	Maximum, Harmonic U L3	[23]	0,1
4499	SHORT	RD	V	Maximum, Harmonic U L3	[24]	0,1
4500	SHORT	RD	V	Maximum, Harmonic U L3	[25]	0,1
4501	SHORT	RD	V	Maximum, Harmonic U L3	[26]	0,1
4502	SHORT	RD	V	Maximum, Harmonic U L3	[27]	0,1
4503	SHORT	RD	V	Maximum, Harmonic U L3	[28]	0,1
4504	SHORT	RD	V	Maximum, Harmonic U L3	[29]	0,1
4505	SHORT	RD	V	Maximum, Harmonic U L3	[30]	0,1
4506	SHORT	RD	V	Maximum, Harmonic U L3	[31]	0,1
4507	SHORT	RD	V	Maximum, Harmonic U L3	[32]	0,1
4508	SHORT	RD	V	Maximum, Harmonic U L3	[33]	0,1
4509	SHORT	RD	V	Maximum, Harmonic U L3	[34]	0,1
4510	SHORT	RD	V	Maximum, Harmonic U L3	[35]	0,1
4511	SHORT	RD	V	Maximum, Harmonic U L3	[36]	0,1
4512	SHORT	RD	V	Maximum, Harmonic U L3	[37]	0,1
4513	SHORT	RD	V	Maximum, Harmonic U L3	[38]	0,1
4514	SHORT	RD	V	Maximum, Harmonic U L3	[39]	0,1
4515	SHORT	RD	V	Maximum, Harmonic U L1-L2	[0]	0,1
4516	SHORT	RD	V	Maximum, Harmonic U L1-L2	[1]	0,1
4517	SHORT	RD	V	Maximum, Harmonic U L1-L2	[2]	0,1
4518	SHORT	RD	V	Maximum, Harmonic U L1-L2	[3]	0,1
4519	SHORT	RD	V	Maximum, Harmonic U L1-L2	[4]	0,1
4520	SHORT	RD	V	Maximum, Harmonic U L1-L2	[5]	0,1
4521	SHORT	RD	V	Maximum, Harmonic U L1-L2	[6]	0,1
4522	SHORT	RD	V	Maximum, Harmonic U L1-L2	[7]	0,1
4523	SHORT	RD	V	Maximum, Harmonic U L1-L2	[8]	0,1
4524	SHORT	RD	V	Maximum, Harmonic U L1-L2	[9]	0,1
4525	SHORT	RD	V	Maximum, Harmonic U L1-L2	[10]	0,1
4526	SHORT	RD	V	Maximum, Harmonic U L1-L2	[11]	0,1

Address	Format	RD/WR	Unit	Note	Index	Resolution
4527	SHORT	RD	V	Maximum, Harmonic U L1-L2	[12]	0,1
4528	SHORT	RD	V	Maximum, Harmonic U L1-L2	[13]	0,1
4529	SHORT	RD	V	Maximum, Harmonic U L1-L2	[14]	0,1
4530	SHORT	RD	V	Maximum, Harmonic U L1-L2	[15]	0,1
4531	SHORT	RD	V	Maximum, Harmonic U L1-L2	[16]	0,1
4532	SHORT	RD	V	Maximum, Harmonic U L1-L2	[17]	0,1
4533	SHORT	RD	V	Maximum, Harmonic U L1-L2	[18]	0,1
4534	SHORT	RD	V	Maximum, Harmonic U L1-L2	[19]	0,1
4535	SHORT	RD	V	Maximum, Harmonic U L1-L2	[20]	0,1
4536	SHORT	RD	V	Maximum, Harmonic U L1-L2	[21]	0,1
4537	SHORT	RD	V	Maximum, Harmonic U L1-L2	[22]	0,1
4538	SHORT	RD	V	Maximum, Harmonic U L1-L2	[23]	0,1
4539	SHORT	RD	V	Maximum, Harmonic U L1-L2	[24]	0,1
4540	SHORT	RD	V	Maximum, Harmonic U L1-L2	[25]	0,1
4541	SHORT	RD	V	Maximum, Harmonic U L1-L2	[26]	0,1
4542	SHORT	RD	V	Maximum, Harmonic U L1-L2	[27]	0,1
4543	SHORT	RD	V	Maximum, Harmonic U L1-L2	[28]	0,1
4544	SHORT	RD	V	Maximum, Harmonic U L1-L2	[29]	0,1
4545	SHORT	RD	V	Maximum, Harmonic U L1-L2	[30]	0,1
4546	SHORT	RD	V	Maximum, Harmonic U L1-L2	[31]	0,1
4547	SHORT	RD	V	Maximum, Harmonic U L1-L2	[32]	0,1
4548	SHORT	RD	V	Maximum, Harmonic U L1-L2	[33]	0,1
4549	SHORT	RD	V	Maximum, Harmonic U L1-L2	[34]	0,1
4550	SHORT	RD	V	Maximum, Harmonic U L1-L2	[35]	0,1
4551	SHORT	RD	V	Maximum, Harmonic U L1-L2	[36]	0,1
4552	SHORT	RD	V	Maximum, Harmonic U L1-L2	[37]	0,1
4553	SHORT	RD	V	Maximum, Harmonic U L1-L2	[38]	0,1
4554	SHORT	RD	V	Maximum, Harmonic U L1-L2	[39]	0,1
4555	SHORT	RD	V	Maximum, Harmonic U L2-L3	[0]	0,1
4556	SHORT	RD	V	Maximum, Harmonic U L2-L3	[1]	0,1
4557	SHORT	RD	V	Maximum, Harmonic U L2-L3	[2]	0,1
4558	SHORT	RD	V	Maximum, Harmonic U L2-L3	[3]	0,1
4559	SHORT	RD	V	Maximum, Harmonic U L2-L3	[4]	0,1
4560	SHORT	RD	V	Maximum, Harmonic U L2-L3	[5]	0,1
4561	SHORT	RD	V	Maximum, Harmonic U L2-L3	[6]	0,1
4562	SHORT	RD	V	Maximum, Harmonic U L2-L3	[7]	0,1
4563	SHORT	RD	V	Maximum, Harmonic U L2-L3	[8]	0,1
4564	SHORT	RD	V	Maximum, Harmonic U L2-L3	[9]	0,1
4565	SHORT	RD	V	Maximum, Harmonic U L2-L3	[10]	0,1
4566	SHORT	RD	V	Maximum, Harmonic U L2-L3	[11]	0,1
4567	SHORT	RD	V	Maximum, Harmonic U L2-L3	[12]	0,1
4568	SHORT	RD	V	Maximum, Harmonic U L2-L3	[13]	0,1
4569	SHORT	RD	V	Maximum, Harmonic U L2-L3	[14]	0,1
4570	SHORT	RD	V	Maximum, Harmonic U L2-L3	[15]	0,1
4571	SHORT	RD	V	Maximum, Harmonic U L2-L3	[16]	0,1
4572	SHORT	RD	V	Maximum, Harmonic U L2-L3	[17]	0,1
4573	SHORT	RD	V	Maximum, Harmonic U L2-L3	[18]	0,1
4574	SHORT	RD	V	Maximum, Harmonic U L2-L3	[19]	0,1
4575	SHORT	RD	V	Maximum, Harmonic U L2-L3	[20]	0,1
4576	SHORT	RD	V	Maximum, Harmonic U L2-L3	[21]	0,1
4577	SHORT	RD	V	Maximum, Harmonic U L2-L3	[22]	0,1
4578	SHORT	RD	V	Maximum, Harmonic U L2-L3	[23]	0,1
4579	SHORT	RD	V	Maximum, Harmonic U L2-L3	[24]	0,1
4580	SHORT	RD	V	Maximum, Harmonic U L2-L3	[25]	0,1
4581	SHORT	RD	V	Maximum, Harmonic U L2-L3	[26]	0,1
4582	SHORT	RD	V	Maximum, Harmonic U L2-L3	[27]	0,1
4583	SHORT	RD	V	Maximum, Harmonic U L2-L3	[28]	0,1
4584	SHORT	RD	V	Maximum, Harmonic U L2-L3	[29]	0,1
4585	SHORT	RD	V	Maximum, Harmonic U L2-L3	[30]	0,1
4586	SHORT	RD	V	Maximum, Harmonic U L2-L3	[31]	0,1
4587	SHORT	RD	V	Maximum, Harmonic U L2-L3	[32]	0,1
4588	SHORT	RD	V	Maximum, Harmonic U L2-L3	[33]	0,1
4589	SHORT	RD	V	Maximum, Harmonic U L2-L3	[34]	0,1
4590	SHORT	RD	V	Maximum, Harmonic U L2-L3	[35]	0,1
4591	SHORT	RD	V	Maximum, Harmonic U L2-L3	[36]	0,1
4592	SHORT	RD	V	Maximum, Harmonic U L2-L3	[37]	0,1

Address	Format	RD/WR	Unit	Note	Index	Resolution
4593	SHORT	RD	V	Maximum, Harmonic U L2-L3	[38]	0,1
4594	SHORT	RD	V	Maximum, Harmonic U L2-L3	[39]	0,1
4595	SHORT	RD	V	Maximum, Harmonic U L1-L3	[0]	0,1
4596	SHORT	RD	V	Maximum, Harmonic U L1-L3	[1]	0,1
4597	SHORT	RD	V	Maximum, Harmonic U L1-L3	[2]	0,1
4598	SHORT	RD	V	Maximum, Harmonic U L1-L3	[3]	0,1
4599	SHORT	RD	V	Maximum, Harmonic U L1-L3	[4]	0,1
4600	SHORT	RD	V	Maximum, Harmonic U L1-L3	[5]	0,1
4601	SHORT	RD	V	Maximum, Harmonic U L1-L3	[6]	0,1
4602	SHORT	RD	V	Maximum, Harmonic U L1-L3	[7]	0,1
4603	SHORT	RD	V	Maximum, Harmonic U L1-L3	[8]	0,1
4604	SHORT	RD	V	Maximum, Harmonic U L1-L3	[9]	0,1
4605	SHORT	RD	V	Maximum, Harmonic U L1-L3	[10]	0,1
4606	SHORT	RD	V	Maximum, Harmonic U L1-L3	[11]	0,1
4607	SHORT	RD	V	Maximum, Harmonic U L1-L3	[12]	0,1
4608	SHORT	RD	V	Maximum, Harmonic U L1-L3	[13]	0,1
4609	SHORT	RD	V	Maximum, Harmonic U L1-L3	[14]	0,1
4610	SHORT	RD	V	Maximum, Harmonic U L1-L3	[15]	0,1
4611	SHORT	RD	V	Maximum, Harmonic U L1-L3	[16]	0,1
4612	SHORT	RD	V	Maximum, Harmonic U L1-L3	[17]	0,1
4613	SHORT	RD	V	Maximum, Harmonic U L1-L3	[18]	0,1
4614	SHORT	RD	V	Maximum, Harmonic U L1-L3	[19]	0,1
4615	SHORT	RD	V	Maximum, Harmonic U L1-L3	[20]	0,1
4616	SHORT	RD	V	Maximum, Harmonic U L1-L3	[21]	0,1
4617	SHORT	RD	V	Maximum, Harmonic U L1-L3	[22]	0,1
4618	SHORT	RD	V	Maximum, Harmonic U L1-L3	[23]	0,1
4619	SHORT	RD	V	Maximum, Harmonic U L1-L3	[24]	0,1
4620	SHORT	RD	V	Maximum, Harmonic U L1-L3	[25]	0,1
4621	SHORT	RD	V	Maximum, Harmonic U L1-L3	[26]	0,1
4622	SHORT	RD	V	Maximum, Harmonic U L1-L3	[27]	0,1
4623	SHORT	RD	V	Maximum, Harmonic U L1-L3	[28]	0,1
4624	SHORT	RD	V	Maximum, Harmonic U L1-L3	[29]	0,1
4625	SHORT	RD	V	Maximum, Harmonic U L1-L3	[30]	0,1
4626	SHORT	RD	V	Maximum, Harmonic U L1-L3	[31]	0,1
4627	SHORT	RD	V	Maximum, Harmonic U L1-L3	[32]	0,1
4628	SHORT	RD	V	Maximum, Harmonic U L1-L3	[33]	0,1
4629	SHORT	RD	V	Maximum, Harmonic U L1-L3	[34]	0,1
4630	SHORT	RD	V	Maximum, Harmonic U L1-L3	[35]	0,1
4631	SHORT	RD	V	Maximum, Harmonic U L1-L3	[36]	0,1
4632	SHORT	RD	V	Maximum, Harmonic U L1-L3	[37]	0,1
4633	SHORT	RD	V	Maximum, Harmonic U L1-L3	[38]	0,1
4634	SHORT	RD	V	Maximum, Harmonic U L1-L3	[39]	0,1
4655	SHORT	RD	mA	Maximum, Harmonic I L1	[0]	1
4656	SHORT	RD	mA	Maximum, Harmonic I L1	[1]	1
4657	SHORT	RD	mA	Maximum, Harmonic I L1	[2]	1
4658	SHORT	RD	mA	Maximum, Harmonic I L1	[3]	1
4659	SHORT	RD	mA	Maximum, Harmonic I L1	[4]	1
4660	SHORT	RD	mA	Maximum, Harmonic I L1	[5]	1
4661	SHORT	RD	mA	Maximum, Harmonic I L1	[6]	1
4662	SHORT	RD	mA	Maximum, Harmonic I L1	[7]	1
4663	SHORT	RD	mA	Maximum, Harmonic I L1	[8]	1
4664	SHORT	RD	mA	Maximum, Harmonic I L1	[9]	1
4665	SHORT	RD	mA	Maximum, Harmonic I L1	[10]	1
4666	SHORT	RD	mA	Maximum, Harmonic I L1	[11]	1
4667	SHORT	RD	mA	Maximum, Harmonic I L1	[12]	1
4668	SHORT	RD	mA	Maximum, Harmonic I L1	[13]	1
4669	SHORT	RD	mA	Maximum, Harmonic I L1	[14]	1
4670	SHORT	RD	mA	Maximum, Harmonic I L1	[15]	1
4671	SHORT	RD	mA	Maximum, Harmonic I L1	[16]	1
4672	SHORT	RD	mA	Maximum, Harmonic I L1	[17]	1
4673	SHORT	RD	mA	Maximum, Harmonic I L1	[18]	1
4674	SHORT	RD	mA	Maximum, Harmonic I L1	[19]	1
4675	SHORT	RD	mA	Maximum, Harmonic I L1	[20]	1
4676	SHORT	RD	mA	Maximum, Harmonic I L1	[21]	1
4677	SHORT	RD	mA	Maximum, Harmonic I L1	[22]	1
4678	SHORT	RD	mA	Maximum, Harmonic I L1	[23]	1

Address	Format	RD/WR	Unit	Note	Index	Resolution
4679	SHORT	RD	mA	Maximum, Harmonic I L1	[24]	1
4680	SHORT	RD	mA	Maximum, Harmonic I L1	[25]	1
4681	SHORT	RD	mA	Maximum, Harmonic I L1	[26]	1
4682	SHORT	RD	mA	Maximum, Harmonic I L1	[27]	1
4683	SHORT	RD	mA	Maximum, Harmonic I L1	[28]	1
4684	SHORT	RD	mA	Maximum, Harmonic I L1	[29]	1
4685	SHORT	RD	mA	Maximum, Harmonic I L1	[30]	1
4686	SHORT	RD	mA	Maximum, Harmonic I L1	[31]	1
4687	SHORT	RD	mA	Maximum, Harmonic I L1	[32]	1
4688	SHORT	RD	mA	Maximum, Harmonic I L1	[33]	1
4689	SHORT	RD	mA	Maximum, Harmonic I L1	[34]	1
4690	SHORT	RD	mA	Maximum, Harmonic I L1	[35]	1
4691	SHORT	RD	mA	Maximum, Harmonic I L1	[36]	1
4692	SHORT	RD	mA	Maximum, Harmonic I L1	[37]	1
4693	SHORT	RD	mA	Maximum, Harmonic I L1	[38]	1
4694	SHORT	RD	mA	Maximum, Harmonic I L1	[39]	1
4695	SHORT	RD	mA	Maximum, Harmonic I L2	[0]	1
4696	SHORT	RD	mA	Maximum, Harmonic I L2	[1]	1
4697	SHORT	RD	mA	Maximum, Harmonic I L2	[2]	1
4698	SHORT	RD	mA	Maximum, Harmonic I L2	[3]	1
4699	SHORT	RD	mA	Maximum, Harmonic I L2	[4]	1
4700	SHORT	RD	mA	Maximum, Harmonic I L2	[5]	1
4701	SHORT	RD	mA	Maximum, Harmonic I L2	[6]	1
4702	SHORT	RD	mA	Maximum, Harmonic I L2	[7]	1
4703	SHORT	RD	mA	Maximum, Harmonic I L2	[8]	1
4704	SHORT	RD	mA	Maximum, Harmonic I L2	[9]	1
4705	SHORT	RD	mA	Maximum, Harmonic I L2	[10]	1
4706	SHORT	RD	mA	Maximum, Harmonic I L2	[11]	1
4707	SHORT	RD	mA	Maximum, Harmonic I L2	[12]	1
4708	SHORT	RD	mA	Maximum, Harmonic I L2	[13]	1
4709	SHORT	RD	mA	Maximum, Harmonic I L2	[14]	1
4710	SHORT	RD	mA	Maximum, Harmonic I L2	[15]	1
4711	SHORT	RD	mA	Maximum, Harmonic I L2	[16]	1
4712	SHORT	RD	mA	Maximum, Harmonic I L2	[17]	1
4713	SHORT	RD	mA	Maximum, Harmonic I L2	[18]	1
4714	SHORT	RD	mA	Maximum, Harmonic I L2	[19]	1
4715	SHORT	RD	mA	Maximum, Harmonic I L2	[20]	1
4716	SHORT	RD	mA	Maximum, Harmonic I L2	[21]	1
4717	SHORT	RD	mA	Maximum, Harmonic I L2	[22]	1
4718	SHORT	RD	mA	Maximum, Harmonic I L2	[23]	1
4719	SHORT	RD	mA	Maximum, Harmonic I L2	[24]	1
4720	SHORT	RD	mA	Maximum, Harmonic I L2	[25]	1
4721	SHORT	RD	mA	Maximum, Harmonic I L2	[26]	1
4722	SHORT	RD	mA	Maximum, Harmonic I L2	[27]	1
4723	SHORT	RD	mA	Maximum, Harmonic I L2	[28]	1
4724	SHORT	RD	mA	Maximum, Harmonic I L2	[29]	1
4725	SHORT	RD	mA	Maximum, Harmonic I L2	[30]	1
4726	SHORT	RD	mA	Maximum, Harmonic I L2	[31]	1
4727	SHORT	RD	mA	Maximum, Harmonic I L2	[32]	1
4728	SHORT	RD	mA	Maximum, Harmonic I L2	[33]	1
4729	SHORT	RD	mA	Maximum, Harmonic I L2	[34]	1
4730	SHORT	RD	mA	Maximum, Harmonic I L2	[35]	1
4731	SHORT	RD	mA	Maximum, Harmonic I L2	[36]	1
4732	SHORT	RD	mA	Maximum, Harmonic I L2	[37]	1
4733	SHORT	RD	mA	Maximum, Harmonic I L2	[38]	1
4734	SHORT	RD	mA	Maximum, Harmonic I L2	[39]	1
4735	SHORT	RD	mA	Maximum, Harmonic I L3	[0]	1
4736	SHORT	RD	mA	Maximum, Harmonic I L3	[1]	1
4737	SHORT	RD	mA	Maximum, Harmonic I L3	[2]	1
4738	SHORT	RD	mA	Maximum, Harmonic I L3	[3]	1
4739	SHORT	RD	mA	Maximum, Harmonic I L3	[4]	1
4740	SHORT	RD	mA	Maximum, Harmonic I L3	[5]	1
4741	SHORT	RD	mA	Maximum, Harmonic I L3	[6]	1
4742	SHORT	RD	mA	Maximum, Harmonic I L3	[7]	1
4743	SHORT	RD	mA	Maximum, Harmonic I L3	[8]	1
4744	SHORT	RD	mA	Maximum, Harmonic I L3	[9]	1

Address	Format	RD/WR	Unit	Note	Index	Resolution
4745	SHORT	RD	mA	Maximum, Harmonic I L3	[10]	1
4746	SHORT	RD	mA	Maximum, Harmonic I L3	[11]	1
4747	SHORT	RD	mA	Maximum, Harmonic I L3	[12]	1
4748	SHORT	RD	mA	Maximum, Harmonic I L3	[13]	1
4749	SHORT	RD	mA	Maximum, Harmonic I L3	[14]	1
4750	SHORT	RD	mA	Maximum, Harmonic I L3	[15]	1
4751	SHORT	RD	mA	Maximum, Harmonic I L3	[16]	1
4752	SHORT	RD	mA	Maximum, Harmonic I L3	[17]	1
4753	SHORT	RD	mA	Maximum, Harmonic I L3	[18]	1
4754	SHORT	RD	mA	Maximum, Harmonic I L3	[19]	1
4755	SHORT	RD	mA	Maximum, Harmonic I L3	[20]	1
4756	SHORT	RD	mA	Maximum, Harmonic I L3	[21]	1
4757	SHORT	RD	mA	Maximum, Harmonic I L3	[22]	1
4758	SHORT	RD	mA	Maximum, Harmonic I L3	[23]	1
4759	SHORT	RD	mA	Maximum, Harmonic I L3	[24]	1
4760	SHORT	RD	mA	Maximum, Harmonic I L3	[25]	1
4761	SHORT	RD	mA	Maximum, Harmonic I L3	[26]	1
4762	SHORT	RD	mA	Maximum, Harmonic I L3	[27]	1
4763	SHORT	RD	mA	Maximum, Harmonic I L3	[28]	1
4764	SHORT	RD	mA	Maximum, Harmonic I L3	[29]	1
4765	SHORT	RD	mA	Maximum, Harmonic I L3	[30]	1
4766	SHORT	RD	mA	Maximum, Harmonic I L3	[31]	1
4767	SHORT	RD	mA	Maximum, Harmonic I L3	[32]	1
4768	SHORT	RD	mA	Maximum, Harmonic I L3	[33]	1
4769	SHORT	RD	mA	Maximum, Harmonic I L3	[34]	1
4770	SHORT	RD	mA	Maximum, Harmonic I L3	[35]	1
4771	SHORT	RD	mA	Maximum, Harmonic I L3	[36]	1
4772	SHORT	RD	mA	Maximum, Harmonic I L3	[37]	1
4773	SHORT	RD	mA	Maximum, Harmonic I L3	[38]	1
4774	SHORT	RD	mA	Maximum, Harmonic I L3	[39]	1
10824	SHORT	RD	mA	Maximum Harmonic I L4	[0]	1
10825	SHORT	RD	mA	Maximum Harmonic I L4	[1]	1
10826	SHORT	RD	mA	Maximum Harmonic I L4	[2]	1
10827	SHORT	RD	mA	Maximum Harmonic I L4	[3]	1
10828	SHORT	RD	mA	Maximum Harmonic I L4	[4]	1
10829	SHORT	RD	mA	Maximum Harmonic I L4	[5]	1
10830	SHORT	RD	mA	Maximum Harmonic I L4	[6]	1
10831	SHORT	RD	mA	Maximum Harmonic I L4	[7]	1
10832	SHORT	RD	mA	Maximum Harmonic I L4	[8]	1
10833	SHORT	RD	mA	Maximum Harmonic I L4	[9]	1
10834	SHORT	RD	mA	Maximum Harmonic I L4	[10]	1
10835	SHORT	RD	mA	Maximum Harmonic I L4	[11]	1
10836	SHORT	RD	mA	Maximum Harmonic I L4	[12]	1
10837	SHORT	RD	mA	Maximum Harmonic I L4	[13]	1
10838	SHORT	RD	mA	Maximum Harmonic I L4	[14]	1
10839	SHORT	RD	mA	Maximum Harmonic I L4	[15]	1
10840	SHORT	RD	mA	Maximum Harmonic I L4	[16]	1
10841	SHORT	RD	mA	Maximum Harmonic I L4	[17]	1
10842	SHORT	RD	mA	Maximum Harmonic I L4	[18]	1
10843	SHORT	RD	mA	Maximum Harmonic I L4	[19]	1
10844	SHORT	RD	mA	Maximum Harmonic I L4	[20]	1
10845	SHORT	RD	mA	Maximum Harmonic I L4	[21]	1
10846	SHORT	RD	mA	Maximum Harmonic I L4	[22]	1
10847	SHORT	RD	mA	Maximum Harmonic I L4	[23]	1
10848	SHORT	RD	mA	Maximum Harmonic I L4	[24]	1
10849	SHORT	RD	mA	Maximum Harmonic I L4	[25]	1
10850	SHORT	RD	mA	Maximum Harmonic I L4	[26]	1
10851	SHORT	RD	mA	Maximum Harmonic I L4	[27]	1
10852	SHORT	RD	mA	Maximum Harmonic I L4	[28]	1
10853	SHORT	RD	mA	Maximum Harmonic I L4	[29]	1
10854	SHORT	RD	mA	Maximum Harmonic I L4	[30]	1
10855	SHORT	RD	mA	Maximum Harmonic I L4	[31]	1
10856	SHORT	RD	mA	Maximum Harmonic I L4	[32]	1
10857	SHORT	RD	mA	Maximum Harmonic I L4	[33]	1
10858	SHORT	RD	mA	Maximum Harmonic I L4	[34]	1

Address	Format	RD/WR	Unit	Note	Index	Resolution
10859	SHORT	RD	mA	Maximum Harmonic I L4	[35]	1
10860	SHORT	RD	mA	Maximum Harmonic I L4	[36]	1
10861	SHORT	RD	mA	Maximum Harmonic I L4	[37]	1
10862	SHORT	RD	mA	Maximum Harmonic I L4	[38]	1
10863	SHORT	RD	mA	Maximum Harmonic I L4	[39]	1

Address	Format	RD/WR	Unit	Note	Index
---------	--------	-------	------	------	-------
