



## Capacitive Sensors Series 80 - PNP - StEx- ATEX

Housing M 32 x 1,5

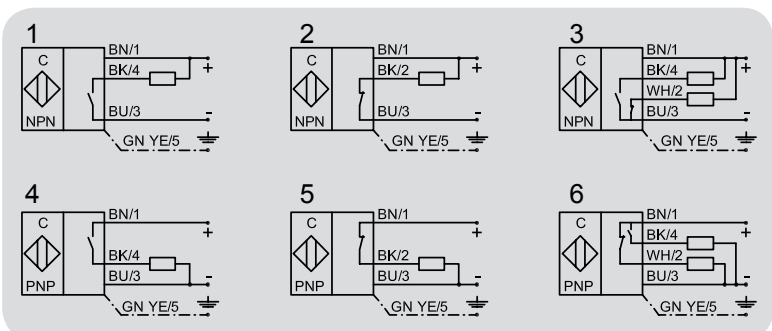
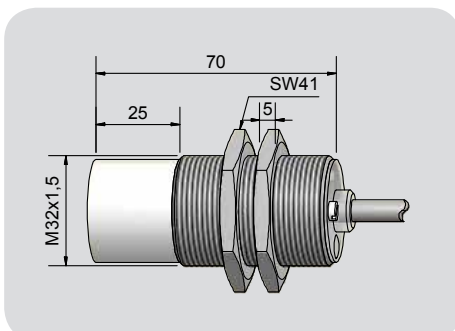
- For use in areas with the risk of dust explosion, zone 20
- For use in areas with the risk of gas explosion, zone 1
- Sensing distance 3...30 mm adjustable

DMT 01 ATEX E 157	IECEx BVS 07.0015
Ex II 2 G Ex mb IIC T4 Gb	Ex mb IIC T4 Gb
Ex II 1/2 D Ex ta/tb IIIC T101°C Da/Db	Ex ta/tb IIIC T101°C Da/Db



Technical data	Non-flush mountable
Operating distance $S_n$	20 mm
Operating distance min. / max. adjustable	3...30 mm
Electrical version	4-wire DC
Output function	Antivalent (NO + NC)
<b>Type PNP</b>	<b>KAS-80-34-A-M32-StEx</b>
<b>Art.-No.</b>	<b>KA 1088</b>
Connection diagram No	6
Operating voltage ( $U_B$ )	10...30 V DC
Voltage drop max. ( $U_d$ )	≤ 2.0 V
Permitted residual ripple max.	10 %
Operating current ( $I_e$ )	2 x 0...150 mA
No-load current ( $I_o$ )	Typ. 15 mA
Frequency of operating cycles max.	50 Hz
Permitted ambient temperature	-20...+90 °C
LED-display	Green / yellow
Protective circuit	Built-in
Degree of protection IEC 529	IP 67*
Norm	EN 60947-5-2
Connection cable	7.5 m, PVC, 5 x 0.34 mm <sup>2</sup>
Housing material	Stainless steel VA No. 1.4305 / AISI 303
Active surface	PTFE (FDA 21 CFR 177.1550)
Lid	PC (FDA 21 CFR 177.1580)
Media optimized	Yes
Accessories (delivered with the sensor)	2 nuts M 32 x 1.5

\* With sealed potentiometer screw



**Made in Germany**

All specifications are subject to change without notice. (16.08.2016)