



Capacitive Sensors Serie 40 - NAMUR EN 60947-5-6

Housing M 30 x 1.5

- For use in areas with the risk of dust explosion, zone 20
- For use in areas with the risk of gas explosion, zone 0
- Housing material: Stainless Steel VA No. 1.4305 (AISI 303)
- Sensing distance 2...15 mm adjustable

| | |
|-------------------------------|----------------------|
| DMT 03 ATEX E 048 | IECEX BVS 07.0031 |
| Ex II 1G Ex ia IIC T1-T6 Ga | Ex ia IIC T1-T6 Ga |
| Ex II 1D Ex ia IIIC T101°C Da | Ex ia IIIC T101°C Da |

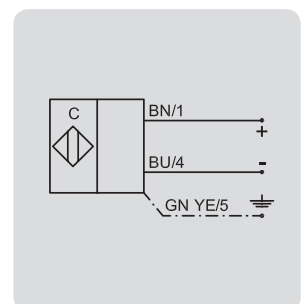
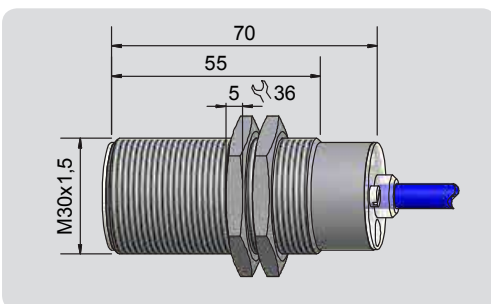


Technical data

Flush mountable

| | |
|--|--|
| Operating distance S_n | 10 mm |
| Operating distance min. / max. adjustable | 2...15 mm |
| Electrical version | 2-wire DC |
| Output | NAMUR DIN 60947-5-6 |
| Type | KAS-40-A14-N-StEx |
| Art. No. | KA 1197 |
| Operating voltage (U_B) | 5 - 15 V DC, $U_i = 15$ V DC |
| Output current active surface free | < typ. 1.5 mA |
| Output current active surface covered | > typ. 2.5 mA |
| Self-inductance (L) | 0.2 mH |
| Self-capacitance (C) | 250 nF |
| Permitted residual ripple max. | 5 % |
| Frequency of operating cycles max. | 50 Hz |
| Permitted ambient temperature | -20...+70 °C |
| LED-display | Yellow |
| Degree of protection IEC 60529 | IP 67 |
| Connection cable | 2 m, PUR, 3 x 0.75 mm ² |
| Housing material | Stainless Steel VA No. 1.4305 (AISI 303) |
| Active surface | PTFE (FDA 21 CFR 177.1550) |
| Lid | PC (FDA 21 CFR 177.1580) |
| Accessories (delivered with the unit) | 2 nuts M 30 x 1,5 |

All specifications are subject to change without notice. (15.01.2018)



Made in Germany