



Capacitive Sensors

Series 80 - PNP

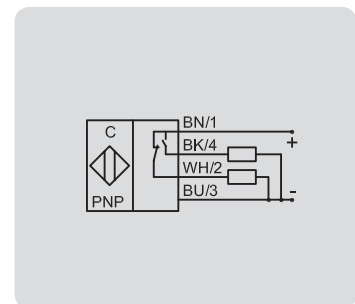
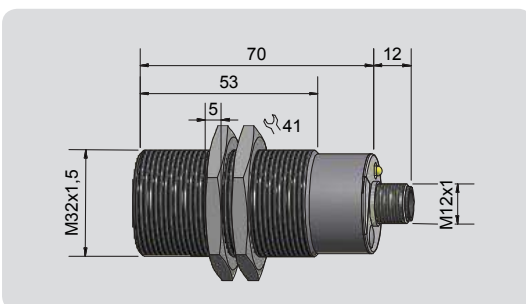
Housing M 32 x 1.5

- Housing material: Stainless steel VA
- Sensing distance 0.5...20 mm adjustable



Technical data	Flush mountable
Operating distance S_n	10 mm
Operating distance min. / max. adjustable	0.5...20 mm
Electrical version	4-wire DC
Output function	Antivalent (NO + NC)
Type NPN	
Art.-No.	
Connection diagram No.	
Type PNP	KAS-80-30-A-M32-Ceramic/VA-Y5
Art.-No.	KA 1220
Connection diagram No.	See below
Operating voltage (U_B)	10...35 V DC
Voltage drop max. (U_d)	≤ 2.0 V
Permitted residual ripple max.	10 %
Operating current (I_e)	2 x 0...250 mA
No-load current (I_o)	Typ. 15 mA
Frequency of operating cycles max.	200 Hz
Permitted ambient temperature	-25...+70 °C
LED-display	Green / yellow
Protective circuit	Built-in
Degree of protection IEC 60529	IP 67
Norm	EN 60947-5-2
Connection	Flange connector M 12 x 1
Housing material	VA No. 1.4305
Active surface	Ceramic
Lid	PA / PPO
Media optimized	Yes

All specifications are subject to change without notice. (15.02.2016)



Made in Germany