



## Capacitive Sensors with Analogue Output Series 80 - PNP

**Output current** 4...20 mA / 20...4 mA  
**Voltage output** 0...10 V / 10...0 V

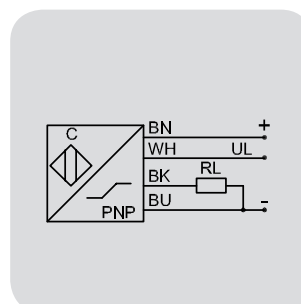
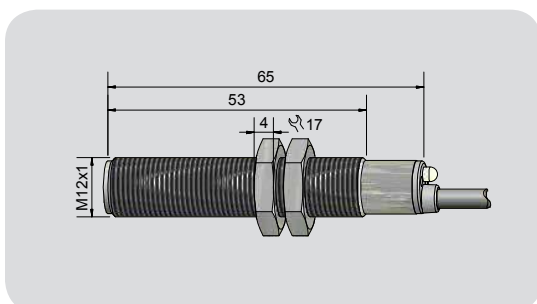
- Housing M 12 x 1
- Housing material: Brass
  - Operating range 0...5 mm
  - Current and voltage output in the same sensor.



| Technical data                        | Flush mountable                    | Flush mountable                    |
|---------------------------------------|------------------------------------|------------------------------------|
| Operating range                       | 0...5 mm                           | 0...5 mm                           |
| Linear range                          | 0...4 mm                           | 0...4 mm                           |
| Electrical version                    | 4-wire DC                          | 4-wire DC                          |
| Output function                       | Analogue                           | Analogue                           |
| <b>Type Analogue</b>                  | <b>KAS-80-A12-IL20/UL10</b>        | <b>KAS-80-A12-IL4/UL0</b>          |
| <b>Art. No.</b>                       | <b>KA 1308</b>                     | <b>KA 1307</b>                     |
| Operating voltage ( $U_B$ )           | 15...30 V DC                       | 15...30 V DC                       |
| Output signal                         | 20...4 mA, 10...0 V                | 4...20 mA, 0...10 V                |
| Permitted residual ripple max.        | 5 %                                | 5 %                                |
| No-load current ( $I_0$ )             | $\leq 40$ mA                       | $\leq 40$ mA                       |
| Output current active surface free    | $\geq 20$ mA                       | $\leq 4$ mA                        |
| Output current active surface covered | $\leq 4$ mA                        | $\geq 20$ mA                       |
| Load resistor ( $R_L$ )               | 0...600 Ohm                        | 0...600 Ohm                        |
| Permitted ambient temperature         | 0...+70 °C                         | 0...+70 °C                         |
| LED-display                           | Yellow / green                     | Yellow / green                     |
| Protective circuit                    | Built-in                           | Built-in                           |
| Degree of protection IEC 60529        | IP 67*                             | IP 67*                             |
| Norm                                  | EN 60947-5-2, EN 60947-5-7**       | EN 60947-5-2, EN 60947-5-7**       |
| Connection                            | 2 m, PUR, 4 x 0.14 mm <sup>2</sup> | 2 m, PUR, 4 x 0.14 mm <sup>2</sup> |
| Housing material                      | Brass                              | Brass                              |
| Active surface                        | PTFE (FDA 21 CFR 177.1550)         | PTFE (FDA 21 CFR 177.1550)         |
| Lid                                   | PA / PPO                           | PA / PPO                           |

\* With sealed potentiometer screw

\*\* Where applicable



**Accessories**  
(is delivered with the unit)  
2 pieces nuts M 12

All specifications are subject to change without notice. (19.11.2014)