



Capacitive Sensors with Analogue Output Series 80 - PNP

Output current 4...20 mA / 20...4 mA
Voltage output 0...10 V / 10...0 V

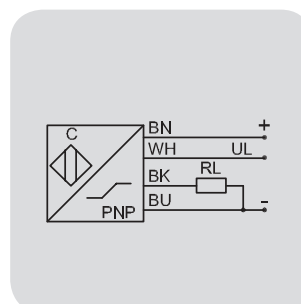
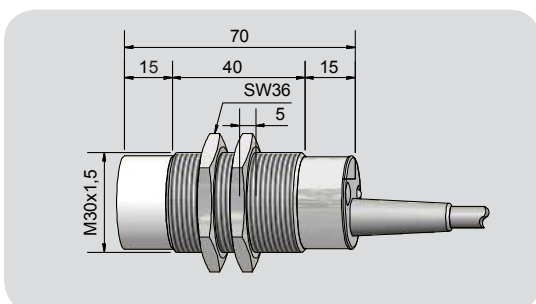
- Housing M 30 x 1.5
- Housing material: Brass
 - Operating range 0...24 mm
 - Current and voltage output in the same sensor.



Technical data	Non-flush mountable	Non-flush mountable
Operating range	0...24 mm	0...24 mm
Linear range	0...19 mm	0...19 mm
Electrical version	4-wire DC	4-wire DC
Output function	Analogue	Analogue
Type Analogue	KAS-80-A24-IL20/UL10	KAS-80-A24-IL4/UL0
Art. No.	KA 1315	KA 1314
Operating voltage (U _B)	15...30 V DC	15...30 V DC
Output signal	20...4 mA, 10...0 V	4...20 mA, 0...10 V
Permitted residual ripple max.	5 %	5 %
No-load current (I ₀)	≤ 40 mA	≤ 40 mA
Output current active surface free	≥ 20 mA	≤ 4 mA
Output current active surface covered	≤ 4 mA	≥ 20 mA
Load resistor (R _L)	0...600 Ohm	0...600 Ohm
Permitted ambient temperature	0...+70 °C	0...+70 °C
LED-display	Yellow / green	Yellow / green
Protective circuit	Built-in	Built-in
Degree of protection IEC 60529	IP 67*	IP 67*
Norm	EN 60947-5-2, EN 60947-5-7**	EN 60947-5-2, EN 60947-5-7**
Connection	2 m, PVC, 4 x 0.5 mm ²	2 m, PVC, 4 x 0.5 mm ²
Housing material	Brass	Brass
Active surface	PTFE (FDA 21 CFR 177.1550)	PTFE (FDA 21 CFR 177.1550)
Lid	PA / PPO	PA / PPO

* With sealed potentiometer screw

** Where applicable



Accessories
(is delivered with the unit)
2 pieces nuts M 30

Made in Germany