



Capacitive Sensors with Analogue Output Series 40 - NAMUR Output current 4...20 mA

Housing M 18 x 1

- For use in areas with the risk of gas explosion, zone 0
- Housing material: Brass
- Operating range 0...8 mm

DMT 03 ATEX E 048

IECEx BVS 07.0031

Ex II 1G Ex ia IIC T1-T6 Ga

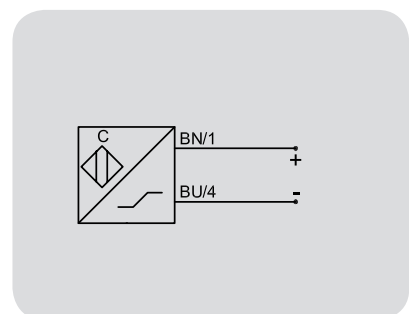
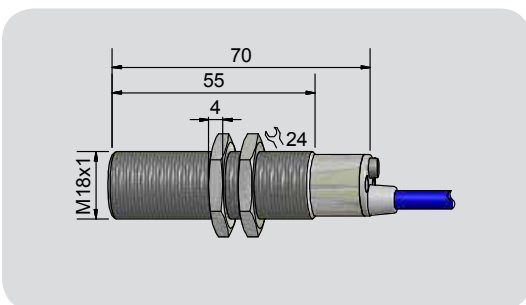
Ex ia IIC T1-T6 Ga



Technical data	Flush mountable
Operating range	0...8 mm
Linear range	0...4 mm
Electrical version	2-wire DC
Output function	Analogue
Type Analogue current	KAS-40-A13-IL4-M18-PTFE/Ms-Z02-1-HP-1G
Type Analogue	KAS-40-A13-IL
Art. No.	KA 1340
Operating voltage (U_b)	15...35 V DC, $U_i = 27$ V DC
Power consumption active surface free	≤ 4 mA
Power consumption active surface covered	≥ 20 mA
Load resistor	R _L 0...500 Ohm
Self-inductance (L)	0.2 mH
Self-capacitance (C)	250 nF
Permitted residual ripple max.	5 %
Frequency of operating cycles max.	50 Hz
Permitted ambient temperature	-25...+70 °C
Degree of protection IEC 60529	IP 67*
Norm	EN 60947-5-6
Connection cable	2 m, PUR, 2 x 0.34 mm ²
Housing material	Brass
Active surface	PTFE (FDA 21 CFR 177.1550)
Lid	PA / PPO
Accessories (is delivered with the unit)	2 nuts M 18 x 1

* With sealed potentiometer screw

All specifications are subject to change without notice. (27.07.2018)



Made in Germany