



Capacitive Sensors with Analogue Output Series 40 - NAMUR EN 60947-5-6

Housing M 18 x 1

- For use in areas with the risk of gas explosion, zone 0
- Housing material: Brass
- Operating range 0...10 mm
- Output current 20...4 mA

DMT 03 ATEX E 048

IECEx BVS 07.0031

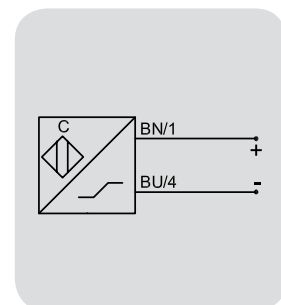
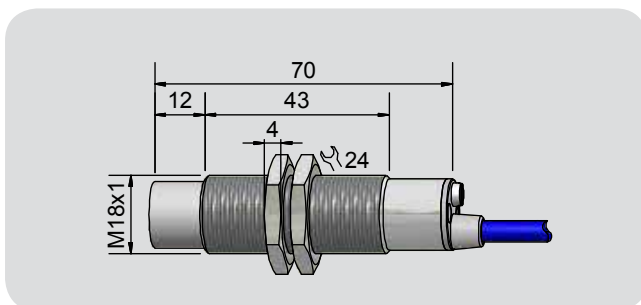
Ex II 1G Ex ia IIC T1-T6 Ga

Ex ia IIC T1-T6 Ga



Technical data	Non-flush mountable
Operating range	0...10 mm
Linear range	0...8 mm
Electrical version	2-wire DC
Output function	Analogue
Type Analogue	KAS-40-A23-IL20
Art. No.	KA 1343
Operating voltage (U_b)	15...35 V DC, $U_i = 27$ V DC
Power consumption active surface free	≥ 20 mA
Power consumption active surface covered	≤ 4 mA
Load resistor	R. 0...500 Ohm
Self-inductance (L)	0.2 mH
Self-capacitance (C)	89 nF
Permitted residual ripple max.	5 %
Frequency of operating cycles max.	50 Hz
Permitted ambient temperature	0...+70 °C
Degree of protection IEC 60529	IP 67
Norm	EN 60947-5-6
Connection cable	2 m, PUR, 2 x 0.34 mm ²
Housing material	Brass
Active surface	PTFE (FDA 21 CFR 177.1550)
Lid	PA / PPO
Accessories (is delivered with the unit)	2 nuts M 18 x 1

All specifications are subject to change without notice. (05.06.2019)



Made in Germany