



Capacitive Sensors - S26 Series 80 - PNP

Process connection: G 1/2"

- Housing material: PEEK
- For use in areas with the risk of dust explosion, zone 20
- For use in areas with the risk of gas explosion, zone 1
- Special version with flange. Sealing can be made with a gasket or PTFE-tape (not delivered with the sensor)

| | |
|----------------------------------------|---------------------------|
| DMT 01 ATEX E 157 | IECEX BVS 07.0015 |
| Ex II 2 G Ex mb IIC T4 Gb | Ex mb IIC T4 Gb |
| Ex II 1/2 D Ex ta/tb IIIC T101°C Da/Db | Ex ta/tb IIC T101°C Da/Db |



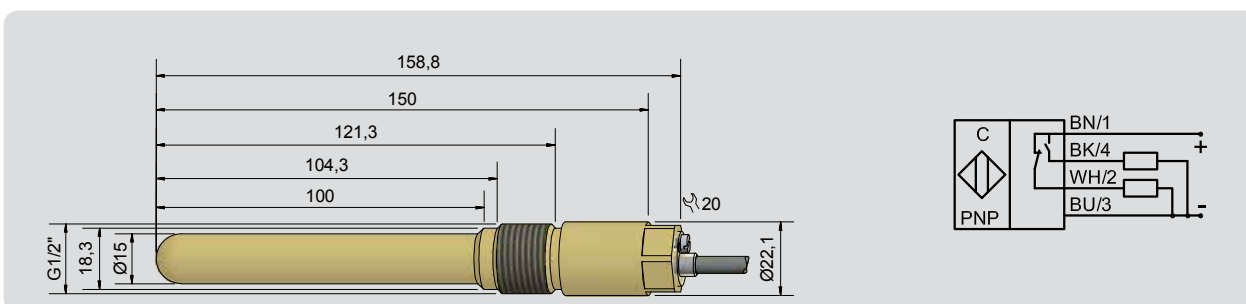
| Technical data | Non-flush mountable |
|-------------------------------------------------------------------------------------------------------------------------------|---------------------------------------------------|
| Level sensor, in contact with the product | Medium dependent adjustable |
| Operating distance min. / max. adjustable | 0...10 mm |
| Electrical version | 4-wire DC |
| Output function | Antivalent |
| Type PNP current | KAS-80-26/159-A-G1/2-PEEK-Z02-1-HP-2G-1/2D |
| Type PNP | KAS-80-26-A-K-160-G1/2"-PEEK-StEx |
| Art.-No. | KA 1409 |
| Operating voltage (U _B) | 10...30 V DC |
| Operating current (I _B) | 2 x 0...150 mA |
| Voltage drop max. (U _d) | ≤ 2.0 V |
| Permitted residual ripple max. | 10 % |
| No-load current (I ₀) | Typ. 15 mA |
| Frequency of operating cycles max. | 2 Hz |
| Permitted ambient temperature | -25...+70 °C / CIP 121° C |
| LED-display | Green / yellow |
| Protective circuit | Built-in |
| Degree of protection IEC 60529 | IP 67* |
| Norm | EN 60947-5-2 |
| Connection cable | 2 m, PVC, 4 x 0.34 mm ² |
| Housing material | PEEK (FDA 21 CFR 177.2415) |
| Active surface | PEEK (FDA 21 CFR 177.2415) |
| Lid | PC (FDA 21 CFR 177.1580) |
| Media optimized | Yes |
| Accessories (not delivered with the sensor): Varivent Adapter, Welding Socket please see our selection of accessories. | |

Capacitive Sensors S26 with hemispherical active surface for level control of products with a dielectric constant ϵ_r from 1,1. Products can be:

- Bulk material, like plastic granules, powder, cereals, etc.
- Liquids, like water, juice, wine, oil, chemicals or pharmaceutical solutions and much more.
- Pastes in the food, pharmaceutical and cosmetics industry

Advantages:

- EHEDG conform
- Measurement is independent of the mounting position
- Permitted pressure on the active area: 10 bar
- Process connection G 1/2"



* With sealed potentiometer screw

Made in Germany