

Capacitive Sensors Series 80 - PNP

Housing M 8 x 1

- Housing material: PEEK (FDA 21 CFR 177.2415)
- Level control

With manufacturer certificate

for use in zone 22

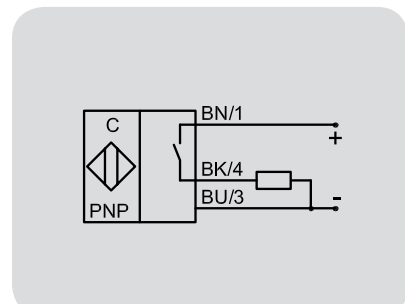
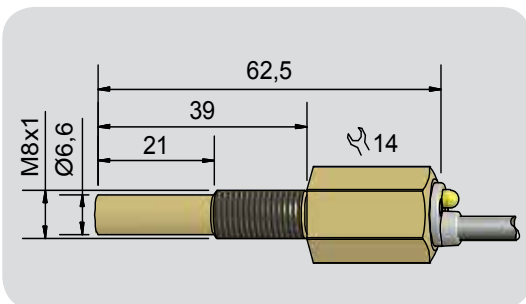
Ex II 3D Ex mc IIIC T101°C Dc IP67 X



Technical data

Level sensor, in contact with the product	Non-flush mountable
Electrical version	Medium dependent
Output function	3 wire DC
Type PNP	Normally open
Art.-No.	KAS-80-A21/61-S-K-PEEK-3D
Operating voltage (U _B)	KA 1420
Voltage drop max. (U _D)	10...35 V DC
Permitted residual ripple max.	≤ 2.0 V
Operating current (I _e)	10 %
No-load current (I _o)	0...150 mA
Frequency of operating cycles max.	Typ. 15 mA
Permitted ambient temperature	50 Hz
LED-display	-25...+70 °C
Protective circuit	Yellow
Degree of protection IEC 60529	Built-in
Norm	IP 67*
Connection cable	EN 60947-5-2
Housing material	2 m, PUR, 3 x 0.14 mm ²
Active surface	PEEK (FDA 21 CFR 177.2415)
Lid	PEEK (FDA 21 CFR 177.2415)
Media optimized	PA / PPO
	Yes

* With sealed potentiometer screw



All specifications are subject to change without notice. (01.04.2016)