



## Capacitive Sensors Series Leak

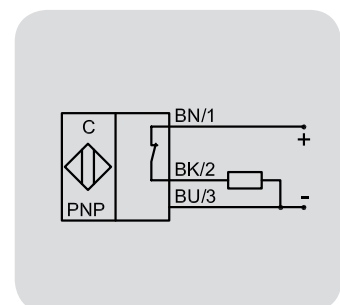
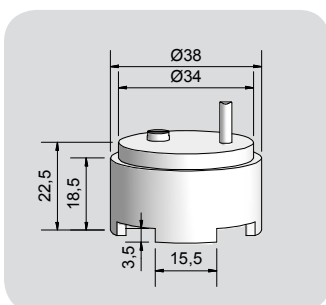
Housing Ø 38 mm

- Leakage control in clean room / Alarm for containers and pipelines.  
Mounting in „drip trays“ of plastic, glass or metal
- Housing material: PTFE
- Semiconductor Industry, Chemical Industry



<b>Technical data</b>	Flush mountable
Operating distance $S_n$	2 mm
Electrical version	3-wire DC
Output function	Normally closed (NC)
<b>Type PNP</b>	<b>KAS-80-39/23-Ö-D38-PTFE-Z02-1-Leak</b>
<b>Art.-No.</b>	<b>KA 1484</b>
Operating voltage ( $U_b$ )	10...35 V DC
Output current max. ( $I_e$ )	0...250 mA
Voltage drop max. ( $U_d$ )	≤ 2.0 V
Permitted residual ripple max.	10 %
No-load current ( $I_o$ )	Typ. 15 mA
Permitted ambient temperature	Clean room conditions
LED-display	Green / red
Protective circuit	Built-in
Degree of protection IEC 529	IP 67
Norm	EN 60947-5-2
Connection cable	2 m, screened, 3 x 0.14 mm
Housing material	PTFE (FDA 21 CFR 177.1550)
Active surface	PTFE (FDA 21 CFR 177.1550)
Lid	PTFE (FDA 21 CFR 177.1550)

All specifications are subject to change without notice. (04.04.2018)



Made in Germany