



Capacitive Sensors Series Leak

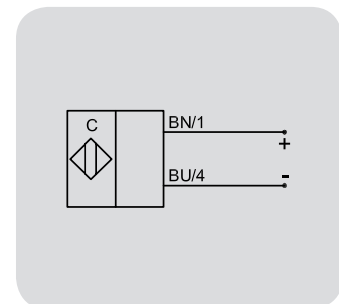
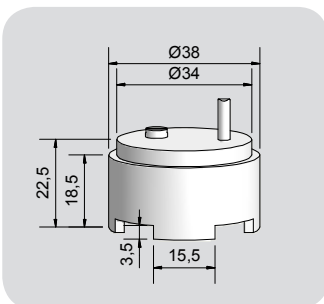
Housing Ø 38 mm

- Leakage control in clean room / Alarm for containers and pipelines.
Mounting in „drip trays“ of plastic, glass or metal
- Housing material: PTFE
- Semiconductor Industry, Chemical Industry



Technical data	Flush mountable
Operating distance S_n	2 mm
Electrical version	2-wire DC
Output function	NAMUR DIN 60947-5-6
Type PNP	KAS-42-39/23-N-D38-PTFE-Z02-1-Leak
Art.-No.	KA 1485
Operating voltage (U_B)	5 - 15 V DC, $U_I = 15$ V DC
Output current active surface free	< typ. 1.5 mA
Output current active surface covered	> typ. 2.5 mA
Self-inductance (L)	0.2 mH
Self-capacitance (C)	250 nF
Permitted residual ripple max.	10 %
Permitted ambient temperature	Clean room conditions
LED-display	Green / red
Degree of protection IEC 529	IP 67
Connection cable	2 m, screened, 3 x 0.14 mm
Housing material	PTFE (FDA 21 CFR 177.1550)
Active surface	PTFE (FDA 21 CFR 177.1550)
Lid	PTFE (FDA 21 CFR 177.1550)

All specifications are subject to change without notice. (04.04.2018)



Made in Germany