



Capacitive Sensors Series 80 - PNP

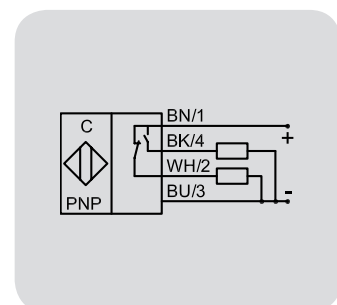
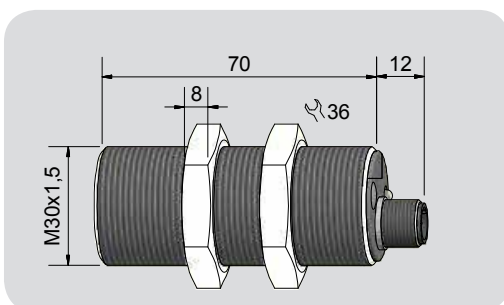
Housing M 30 x 1,5

- Housing material: PTFE
- Ideal for detection of chemically aggressive media
- Suitable for food applications
- Sensing distance 0,5...25 mm adjustable



Technical data	Flush mountable
Operating distance S_n	10 mm
Operating distance min. / max. adjustable	0,5...25 mm
Electrical version	4-wire DC
Output function	Antivalent (NO + NC)
Type PNP	KAS-80-A14-A-M30-PTFE-Y5-1-HP
Art.-No.	KA 1568
Operating voltage (U_B)	10...35 V DC
Voltage drop max. (U_d)	≤ 2.0 V
Permitted residual ripple max.	10 %
Output current (I_o)	2 x 0...250 mA
No-load current (I_o)	Typ. 15 mA
Frequency of operating cycles max.	200 Hz
Permitted ambient temperature	-25...+70 °C
LED-display	Green / yellow
Protective circuit	Built-in
Degree of protection IEC 529	IP 67*
Norm	EN 60947-5-2
Connection	Flange connector M 12 x 1
Housing material	PTFE (FDA 21 CFR 177.1550)
Active surface	PTFE (FDA 21 CFR 177.1550)
Lid	PA / PPO
Media optimized	Yes
Accessories (delivered with the sensor)	2 nuts M 30 x 1,5

* With sealed potentiometer screw



Made in Germany