



Capacitive Sensors S26 Series 80 - PNP

Type of construction G 1"

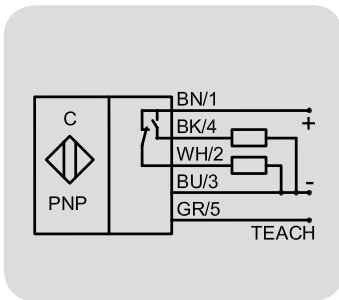
- Easy Teach by wire
- Connection head and process connection stainless steel VA no. 1.4404 / AISI 316L
- Housing material: Polypropylene (PP)
- Bodylength 300 mm
- Other bodylengths on request
- With flange connector M 12 x 1



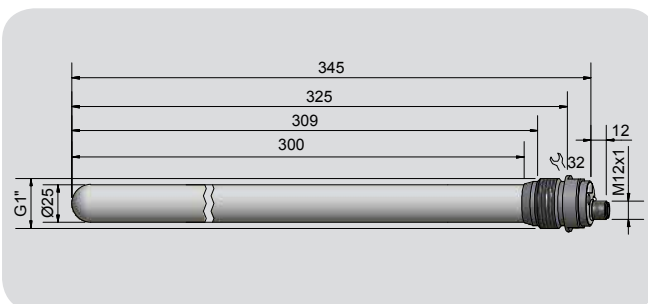
Technical data	Non-flush mountable
Level sensor, in contact with the product	Medium dependent adjustable
Operating distance min. / max. programmable	0...15 mm
Electrical version	4-wire DC
Output function	Antivalent
Type PNP	KAS-80-26/300-A-G1-PP/VAc-Y10-ETW-HP
Art.-No.	KA 1579
Operating voltage (U_B)	10...35 V DC
Voltage drop max. (U_d)	≤ 2.0 V
Permitted residual ripple max.	10%
Operating current (I_e)	2 x 0...250 mA
No-load current (I_o)	Typ. 15 mA
Frequency of operating cycles max.	15 Hz
Permitted ambient temperature	0...+70 °C
LED-display	Green / yellow
Protective circuit	Built-in
Degree of protection IEC 60529	IP 67
Norm	EN 60947-5-2
Connection	Flange connector M 12 x 1
Housing material process connection	VA, No.1.4404 / AISI 316L (FDA conforming)
Active surface	Polypropylene (PP) (FDA 21 CFR 177.1520)
Lid	PA / PPO
Media optimized	Yes

Capacitive Sensors S26 with hemispherical active surface for level control of products with a dielectric constant ϵ_r as of 1,1. Products can be:

- Bulk material, like plastic granules, powder, cereals, etc.
- Liquids, like water, juice, wine, oil, chemicals and much more.



All specifications are subject to change without notice. (01/2019)



EasyTeach chart: LED / Output function
Yellow = A1 Green = A2

- Adjustment "empty"
- Initializing "empty"
- Adjustment "full"
- Initializing "full"
- Factory reset
- Test

Made in Germany