



Capacitive Sensors - S26 Series 80 - PNP

Process connection: G 1/2"

- Housing material: PEEK
- Special version with flange. Sealing can be made with a gasket or PTFE-tape (not delivered with the sensor)
- Operating distance adjustable with EasyTeach by Wire
- Optical guidance during the teach process with the aid of a 2-colour LED



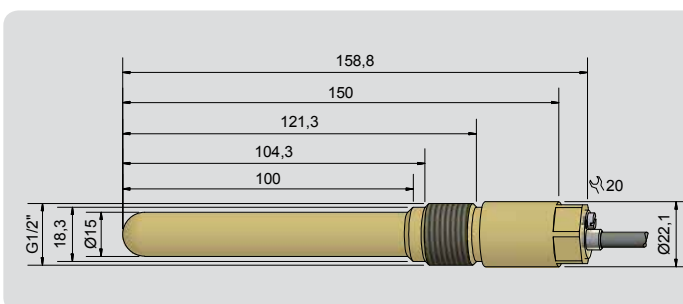
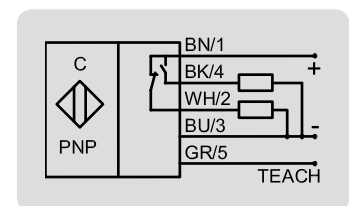
Technical data	Non-flush mountable
Level sensor, in contact with the product	Medium dependent adjustable
Operating distance min. / max. adjustable	0...10 mm
Electrical version	4-wire DC
Output function	Antivalent
Type PNP	KAS-80-26/160-A-G1/2-PEEK-Z02-ETW-HP
Art.-No.	KA1580
Operating voltage (U _B)	10...35 V DC
Voltage drop max. (U _g)	≤ 2.0 V
Permitted residual ripple max.	10 %
Operating current (I _e)	2 x 0...200 mA
No-load current (I _o)	Typ. 15 mA
Frequency of operating cycles max.	50 Hz
Permitted ambient temperature	-25...+70 °C / CIP 121 °C
LED-display	Green / yellow
Protective circuit	Built-in
Degree of protection IEC 60529	IP 67
Norm	EN 60947-5-2
Connection cable	2 m, PVC, 5 x 0.14 mm ²
Housing material	PEEK (FDA 21 CFR 177.2415)
Active surface	PEEK (FDA 21 CFR 177.2415)
Lid	PA / PPO
Media optimized	Yes
Accessories (not delivered with the sensor): Varivent Adapter (#196395), Welding Socket (#196394) please see our selection of accessories.	

Capacitive Sensors S26 with hemispherical active surface for level control of products with a dielectric constant ϵ_r from 1, 1. Products can be:

- Bulk material, like plastic granules, powder, cereals, etc.
- Liquids, like water, juice, wine, oil, chemicals or pharmaceutical solutions and much more.
- Pastes in the food, pharmaceutical and cosmetics industry

Advantages:

- EHEDG conform
- Measurement is independent of the mounting position
- Permitted pressure on the active area: 10 bar
- Process connection G 1/2"



EasyTeach chart*: LED / Output function

- Yellow = A1 Green = A2
- [Green pulse] Adjustment "empty"
 - [Green square wave] Initializing "empty"
 - [Yellow pulse] Adjustment "full"
 - [Yellow square wave] Initializing "full"
 - [Yellow and Green pulses] Test

Made in Germany