



Capacitive Sensors - S26 Series 80 - PNP - StEx - ATEX

Type of construction Triclamp DN 40

- For use in areas with the risk of dust explosion, zone 20
- Housing material: Stainless steel VA, No.1.4404 (AISI 316L) / PEEK
- With flange connector M 12 x 1

DMT 01 ATEX E 157

IECEX BVS 07.0015

Ex II 1/2 D Ex ta/tb IIIC T101°C Da/Db

Ex ta/tb IIIC T101°C Da/Db

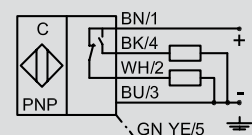
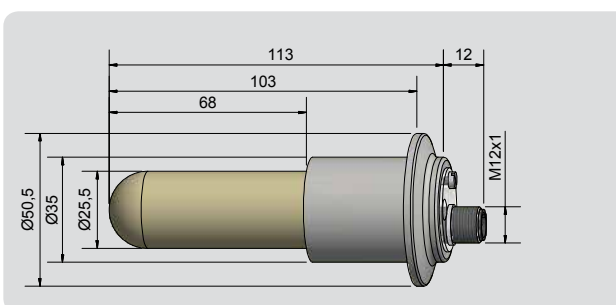


Technical data	Non-flush mountable
Level sensor, in contact with the product	Medium dependent adjustable
Operating distance min. / max. adjustable	0...20 mm
Electrical version	4-pin DC
Output function	Antivalent
Type PNP current	KAS-80-26/113-A-Tri-PEEK/VAc-Y10-1-HP-1/2D
Type PNP	KAS-80-26-A-Tri-PEEK/VA-Y10-StEx
Art.-No.	KA 1581
Operating voltage (U _B)	10...30 V DC
Voltage drop max. (U _D)	≤ 2.0 V
Permitted residual ripple max.	10 %
Operating current (I _a)	2 x 0...150 mA
No-load current (I _o)	Typ. 15 mA
Frequency of operating cycles max.	50 Hz
Permitted ambient temperature	-20...+90 °C / CIP 121 °C
LED-display	Green / yellow
Protective circuit	Built-in
Degree of protection IEC 60529	IP 67*
Norm	EN 60947-5-2
Connection	Flange connector M 12 x 1 (A-coded)
Housing material	Stainless steel VA No.1.4404 / AISI 316L (FDA conforming)
Active surface	PEEK (FDA 21 CFR 177.2415)
Lid	PC
Media optimized	Yes
Accessories (not delivered with the sensor): For matching connectors please see our selection of accessories.	

Capacitive Sensors S26 with hemispherical active surface for level control of products with a dielectric constant ϵ_r from 1, 1. Products can be:

- Bulk material, like plastic granules, powder, cereals, etc.
- Liquids, like water, juice, wine, oil, chemicals or pharmaceutical solutions and much more.
- Pastes in the food, pharmaceutical and cosmetics industry

All specifications are subject to change without notice. (06.01.2020)



* With sealed potentiometer screw

Made in Germany