



Capacitive Sensors S26 Series 80 - PNP

Type of construction Triclamp DN40 to standard DIN 32676, row A

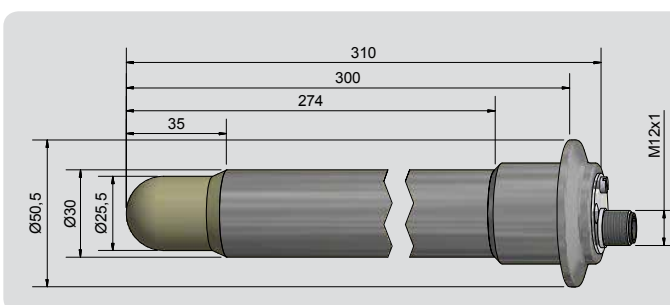
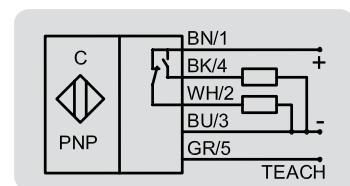
- Housing material: VA no. 1.4404 / AISI 316L
- Bodylength 300 mm
- Other body lengths on request
- Operating distance adjustable with EasyTeach by Wire
- Optical guidance during the teach process with the aid of a 2-colour LED
- With flange connector M 12 x 1



Technical data	Non-flush mountable
Level sensor, in contact with the product	Medium dependent adjustable
Operating distance min. / max. programmable	0...15 mm
Electrical version	4-wire DC
Output function	Antivalent
Type PNP	KAS-80-26/310-A-TRI-PP/VAc-Y10-ETW-HP
Art.-No.	KA 1627
Operating voltage (U_B)	10...35 V DC
Voltage drop max. (U_d)	≤ 2.0 V
Permitted residual ripple max.	10%
Operating current (I_e)	2 x 0...250 mA
No-load current (I_o)	Typ. 15 mA
Frequency of operating cycles max.	15 Hz
Permitted ambient temperature	0...+70 °C
LED-display	Green / yellow
Protective circuit	Built-in
Degree of protection IEC 60529	IP 67*
Norm	EN 60947-5-2
Connection	Flange connector M 12 x 1 (A-coded)
Housing material	VA, No.1.4404 / AISI 316L (FDA conforming)
Active surface	Polypropylene (PP) (FDA 21 CFR 177.1520)
Lid	PC (FDA 21 CFR 177.1580)
Media optimized	Yes
Matching connectors (not delivered with the sensor)	#193330

Capacitive Sensors S26 with hemispherical active surface for level control of products with a dielectric constant ϵ_r from 1,1. Products can be:

- Bulk material, like plastic granules, powder, cereals, etc.
- Liquids, like water, juice, wine, oil, chemicals or pharmaceutical solutions and much more.
- Pastes in the food, pharmaceutical and cosmetics industry
- EHEDG conform



- EasyTeach chart:** LED / Output function
Yellow = A1 Green = A2
- Adjustment "empty"
 - Initializing "empty"
 - Adjustment "full"
 - Initializing "full"
 - Factory reset
 - Test

* With sealed potentiometer screw

Made in Germany