



Capacitive Sensors Series 40 - NAMUR EN 60947-5-6

Compact housing 50 x 17 x 21 mm

- Capacitive sensor for contact-less door monitoring
- For use in areas with the risk of gas explosion, zone 0
- Housing material: PA
- Sensing distance 0.5...8 mm adjustable

DMT 03 ATEX E 048

IECEX BVS 07.0031

Ex II 1G Ex ia IIC T1-T6 Ga

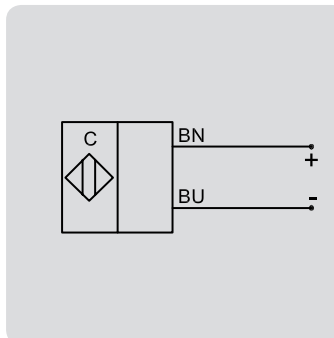
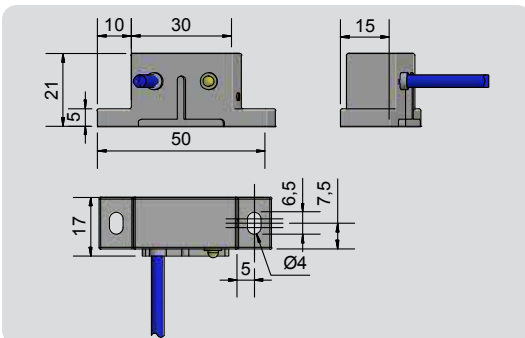
Ex ia IIC T1-T6 Ga



Technical data	Flush mountable
Operating distance S_n	8 mm
Operating distance min. / max. adjustable	0.5...8 mm
Electrical version	2-wire DC
Output function	NAMUR DIN 60947-5-6
Type	KAS-40-D10-N-K
Art. No.	KA 9531
Operating voltage (U_B)	5 - 15 V DC, $U_i = 15$ V DC
Output current active surface free	< typ 1.5 mA
Output current active surface covered	> typ. 2.5 mA
Self-inductance (L)	0.2 mH
Self-capacitance (C)	250 nF
Permitted residual ripple max.	5 %
Frequency of operating cycles max.	50 Hz
Permitted ambient temperature	-20...+70 °C
LED-display	Yellow
Degree of protection IEC 60529	IP 67*
Connection cable	2 m, PUR, 2 x 0.2 mm ²
Housing material	PA
Active surface	PA

* With sealed potentiometer screw

All specifications are subject to change without notice. (16.05.2018)



Matching Ex barriers can be offered on request.

Made in Korea