



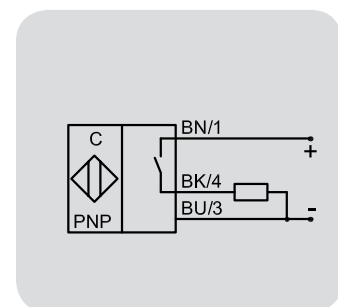
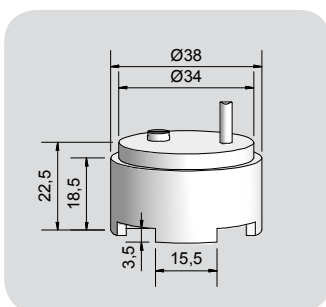
## Capacitive Sensors Series Leak

Housing Ø 38 mm

- Leakage control of liquids in clean room / Alarm for containers and pipelines  
Mounting in „drip trays“ of plastic, glass or metal
- Housing material: PTFE
- Semiconductor Industry, Chemical Industry
- Mount and Go
- Autoadjustment Function



<b>Technical data</b>	Flush mountable
Switching point	3.5 mm
Electrical version	3-wire DC
Output function	Normally open
<b>Type PNP</b>	<b>KAS-80-39/23-S-D38-PTFE-Z02-MaG-Leak</b>
<b>Art.-No.</b>	<b>KA 9950</b>
Operating voltage (U <sub>B</sub> )	10...35 V DC
Voltage drop max. (U <sub>d</sub> )	≤ 2.0 V
Permitted residual ripple max.	10 %
Operating current (I <sub>B</sub> )	0...250 mA
No-load current (I <sub>o</sub> )	Typ. 15 mA
Permitted ambient temperature	-25...+70°C
LED-display	Green / red
Protective circuit	Built-in
Degree of protection IEC 529	IP 67
Norm	EN 60947-5-2
Connection cable	2 m, FEP, screened, 3 x 0.14 mm
Housing material	PTFE (FDA 21 CFR 177.1550)
Active surface	PTFE (FDA 21 CFR 177.1550)
Lid	PTFE (FDA 21 CFR 177.1550)
<b>Accessories</b> (delivered with the sensor)	PVC-holder



**Made in Korea**

All specifications are subject to change without notice. (12.03.2019)