



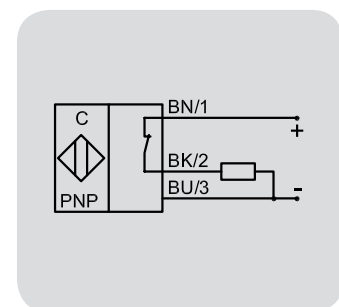
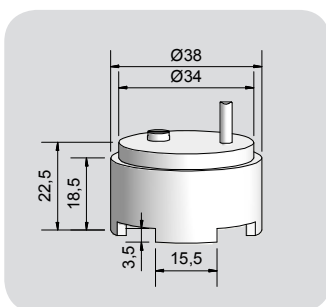
Capacitive Sensors Series Leak

Housing Ø 38 mm

- Leakage control of liquids in clean room / Alarm for containers and pipelines
Mounting in „drip trays“ of plastic, glass or metal
- Housing material: PTFE
- Semiconductor Industry, Chemical Industry
- Mount and Go
- Autoadjustment Function



Technical data	Flush mountable
Switching point	3.5 mm
Electrical version	3-wire DC
Output function	Normally closed
Type PNP	KAS-80-39/23-Ö-D38-PTFE-Z02-MaG-Leak
Art.-No.	KA 9951
Operating voltage (U_B)	10...35 V DC
Voltage drop max. (U_d)	≤ 2.0 V
Permitted residual ripple max.	10 %
Operating current (I_B)	0...250 mA
No-load current (I_o)	Typ. 15 mA
Permitted ambient temperature	-25...+70°C
LED-display	Green / red
Protective circuit	Built-in
Degree of protection IEC 529	IP 67
Norm	EN 60947-5-2
Connection cable	2 m, FEP, screened, 3 x 0.14 mm
Housing material	PTFE (FDA 21 CFR 177.1550)
Active surface	PTFE (FDA 21 CFR 177.1550)
Lid	PTFE (FDA 21 CFR 177.1550)
Accessories (delivered with the sensor)	PVC-holder



Made in Korea

All specifications are subject to change without notice. (12.03.2019)