

- Quasi-absolute LCD display
- Max. display accuracy 0,01 mm or 1/64 inch
- Actual value memory
- Linear and Angular display mode
- Panel mount housing
- Reading distance sensor/tape up to 1 mm



LD112



LD111 OEM version available on request

PARAMETERS

3 offset values, Preset value, Linear and angular display mode, mm/inch display, Relative/absolute measurement

ENVIRONMENTAL SPECIFICATIONS

Operating temperature range: 0°C to +50°C (+32°F to +122°F)
 Storage temperature range: -20°C to +80°C (-4°F to +176°F)
 Protection: IP60 front, IP40 back

MECHANICAL SPECIFICATIONS

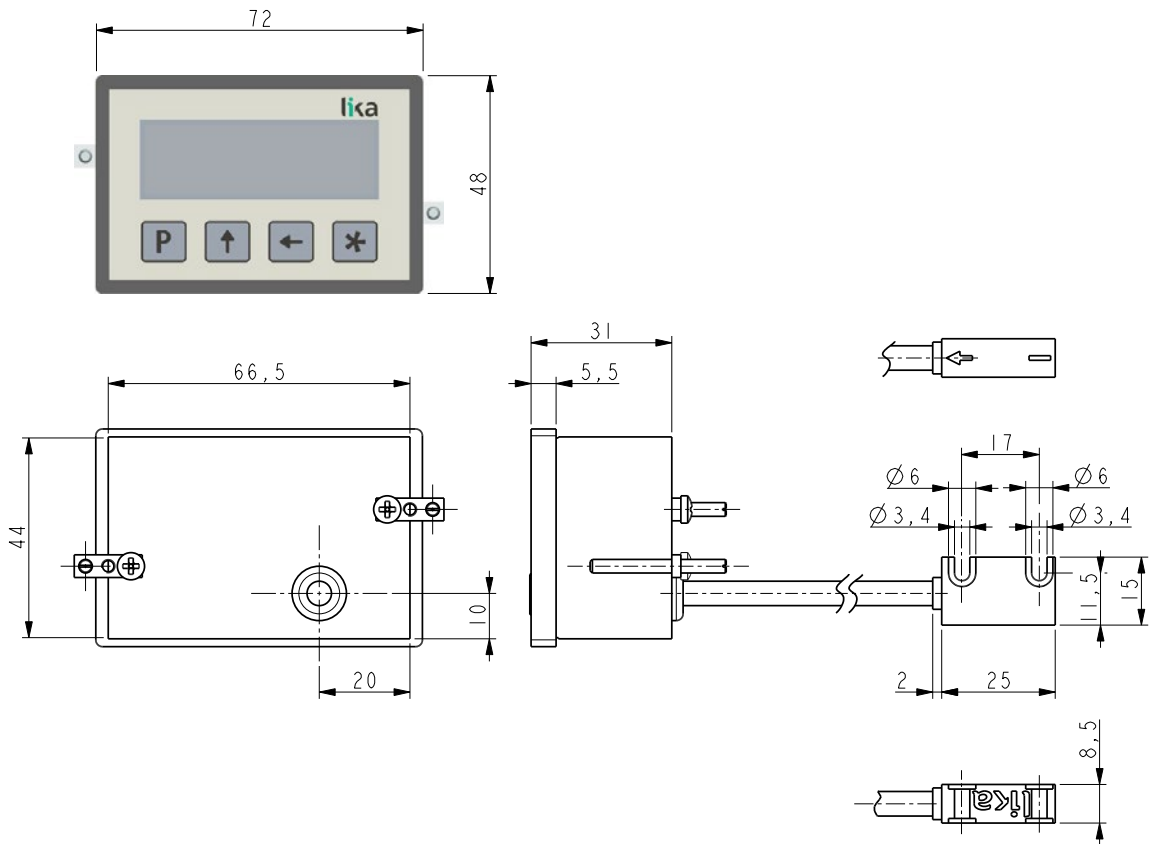
Display resolution: max. 0,01 mm or 1/64 inch
 System accuracy: ± 0,05 mm typ.
 Repeat accuracy: ± 1 digit
 Display range: -999999 to 999999
 Measurement speed: max. 5 m/s
 Magnetic sensor: SM25
 Reading distance sensor/tape: 0,1 - 1,0 mm
 Dimensions: see drawing
 Cut out: 67,5 x 45 mm²
 Connections: Battery holder (AAA type)
 Cable for sensor

ELECTRICAL SPECIFICATIONS

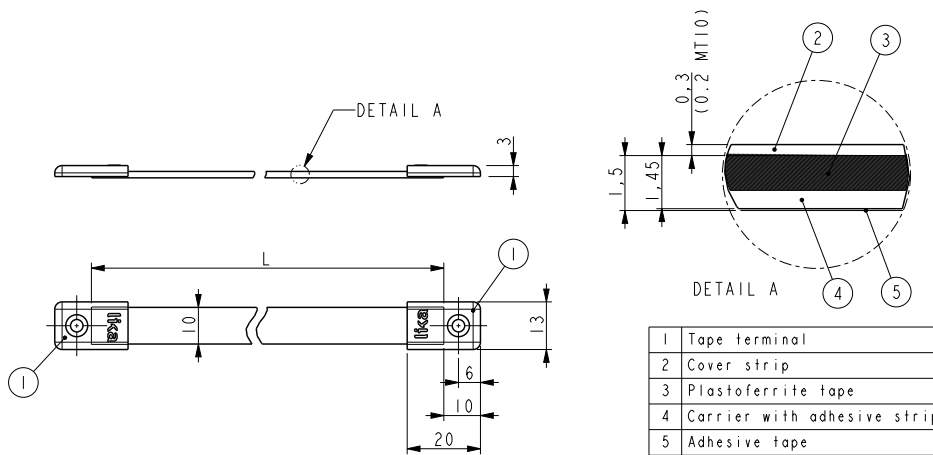
Power supply: Integrated batteries (2 x 1,5V)
 Consumption: 220 µA

ACCESSORIES

MT25: Magnetic tape



LD112



MT25

Order code - Display

LD112	-	XX a	X b	XX c
-------	---	---------	--------	---------

Order code - Tape

MT25	-	XX a	-	XXX b	-	X c
------	---	---------	---	----------	---	--------

a INPUT

M7 = magnetic sensor

b SENSOR

R = rectangular

c CABLE LENGTH

0,2 = cable 0,2 meters

1 = cable 1 meter

X = cable X meters
(5 meters max.)

a LENGTH

1 = 1,0 m

2 = 2,0 m

4 = 4,0 m

10 = 10,0 m

20 = 20,0 m

30 = 30,0 m

b ACCURACY CLASS

100 = ± 85 µm/m

50 = ± 35 µm/m (up to 30 m)

b COVER STRIP

1 = included