



- Multi-function unit for analogue sensors
- Touchscreen and graphic display
- Full text menu for intuitive setup
- 2 analogue inputs (16 bit) $\pm 10V$, 0-10V, 0/4-20mA
- 4 digital control outputs & serial interface (option)
- 16 bit analog output, $\pm 10V$, 4-20mA (option)
- 2 relays outputs (optional)



LD210

FUNCTIONS

Indicator for single, dual or cross calculated inputs
 Totalization, tare, average filter
 Sum/difference of inputs
 Linearization function (24 points)

ENVIRONMENTAL SPECIFICATIONS

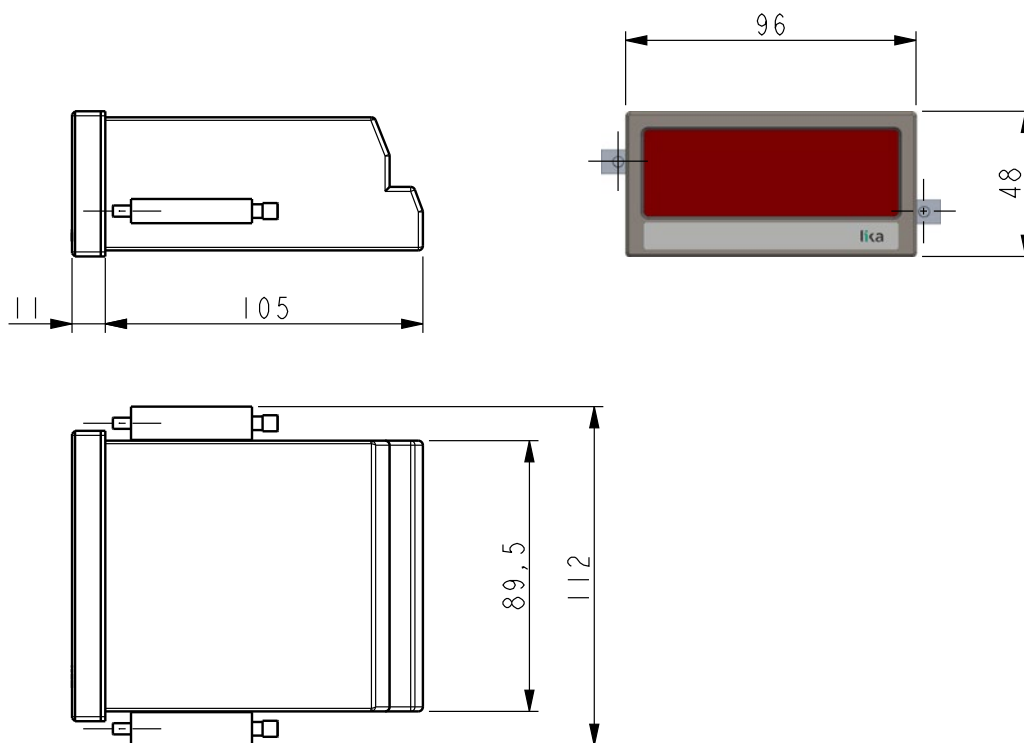
Operating temperature range: -20°C +60°C (-4°F, +140°F)
 Storage temperature range: -25°C +70°C (-13°F, +158°F)
 Protection: IP65 front, IP20 back

MECHANICAL SPECIFICATIONS

Dimensions: 96 x 48 x 116 mm³
 Cut out: 91 x 43 mm²
 Display: LCD backlight, touchscreen
 8 digits (-99999999 ÷ 99999999), 13 mm height
 switchable colour (red, green, yellow)

ELECTRICAL SPECIFICATIONS

Power supply: 18Vdc +30Vdc
 115 ÷ 230 Vac (option PM)
 Consumption: 100 mA without sensor
 (3 VA with option PM)
 Analogue input: 2 inputs $\pm 10V$, 0-10V, 0-20mA or 4-20mA
 resolution 16 bit, accuracy $\pm 0,1\%$
 (reference output 10V $\pm 0,1\%$)
 Control inputs: 3 x HTL, PNP, max. 10 kHz
 Serial interface: RS232, max 38400 baud (option AVI1, DO1)
 RS485 Modbus, max 38400 baud (option AVI2, DO2)
 Outputs: 4 digital outputs, PNP, 5÷30V max. 200 mA (option DO1, DO2)
 2 relays outputs, potential free changeover, max. 250 Vac/150Vdc (option RO)
 1 analogue output, 16 bit, $\pm 10V$ or 0/4-20 mA (option AVI1, AVI2)



LD210

Order code

LD210	-	XX Ⓐ	-	XXXX Ⓑ	-	XX Ⓒ
-------	---	---------	---	-----------	---	---------

Ⓐ POWER SUPPLY

P8 = +18 +30Vdc
PM = 115 ÷ 230 Vac

Ⓑ OUTPUT

- = no option
AVI1 = ±10V/4-20mA output
4 digital outputs
RS232 interface
AVI2 = ±10V/4-20mA output
4 digital outputs
RS485 interface
DO1 = 4 digital outputs
RS232 interface
DO2 = 4 digital outputs
RS485 interface

Ⓒ RELAIS OUTPUT

- = no option
RO = 2 relays outputs