

- Dual multifunction display
- Combined position/speed/counter, etc. display
- Touchscreen and graphic display
- Full text menu for intuitive setup
- Universal inputs (HTL, TTL, RS422) for NPN, PNP and Namur sensors
- 4 digital control outputs & serial interface (option)
- 16 bit analog output,  $\pm 10V$ , 4-20mA (option)
- 2 relays outputs (option)

**LD360: 2 x AB input**

**LD365: 2 x AB /AB input**



LD360 • LD365

## FUNCTIONS

Combined two lines display of position, speed, frequency, counter, linearization function (24 points), filtering, start/stop suppression, scaling

## ENVIRONMENTAL SPECIFICATIONS

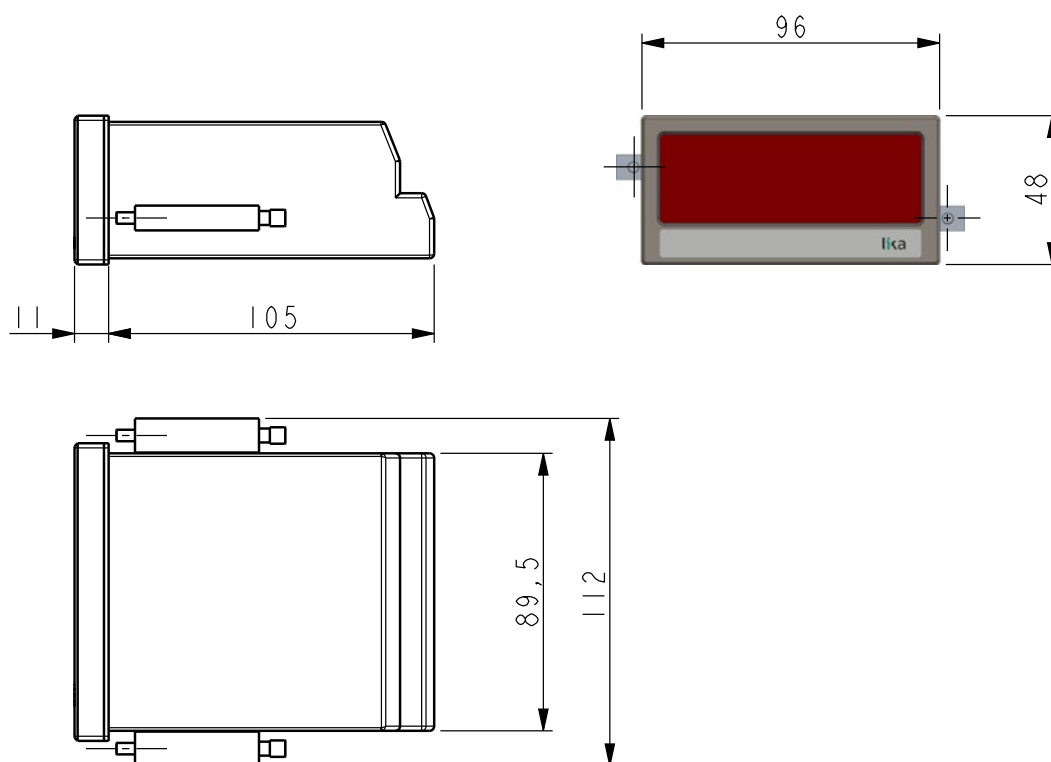
Operating temperature range:	-20°C +60°C (-4°F, +140°F)
Storage temperature range:	-25°C +70°C (-13°F, +158°F)
Protection:	IP65 front, IP20 back

## MECHANICAL SPECIFICATIONS

Dimensions:	96 x 48 x 116 mm <sup>3</sup>
Cut out:	91 x 43 mm <sup>2</sup>
Display:	LCD backlight, touchscreen 8 digits (-99999999 ÷ 99999999) switchable colour (red, green, yellow)

## ELECTRICAL SPECIFICATIONS

Power supply:	18Vdc +30Vdc 115 ÷ 230 Vac (option PM)
Consumption:	100 mA without sensor 3 VA with option PM)
Counting frequency:	LD360: 250 kHz max. LD365: 1 MHz max. 10 kHz max. (control inputs)
Encoder inputs:	LD360: 2 x AB (PNP, NPN, HTL, Namur) LD365: 2 x AB /AB (RS422, HTL differential)
Control inputs:	3 x HTL, PNP, max. 10 kHz
Serial interface:	RS232, max 38400 baud (option AVI1, DO1) RS485, max 38400 baud (option AVI2, DO2)
Outputs:	4 digital outputs, PNP, 5÷30V max. 200 mA (option DO1, DO2) 2 relays outputs, potential free changeover, max. 250 Vac/150Vdc (option RO) 1 analogue output, 16 bit, $\pm 10V$ or 0/4-20 mA (option AVI1, AVI2)



LD360 • LD365

Order code

LD360 LD365	-	XX Ⓐ	-	XXXX Ⓑ	-	XX Ⓒ
----------------	---	---------	---	-----------	---	---------

Ⓐ POWER SUPPLY

P8 = +18 +30Vdc  
PM = 115 ÷ 230 Vac (option)

Ⓑ OUTPUT

- = no option  
AVI1 = ±10V/4-20mA output  
4 digital outputs  
RS232 interface  
AVI2 = ±10V/4-20mA output  
4 digital outputs  
RS485 interface  
DO1 = 4 digital outputs  
RS232 interface  
DO2 = 4 digital outputs  
RS485 interface

Ⓒ RELAIS OUTPUT

- = no option  
RO = 2 relays outputs