

Part number

# MKA VA25



Hood, CKA series, with 2 pegs, M25 side cable entry, size "21.21"

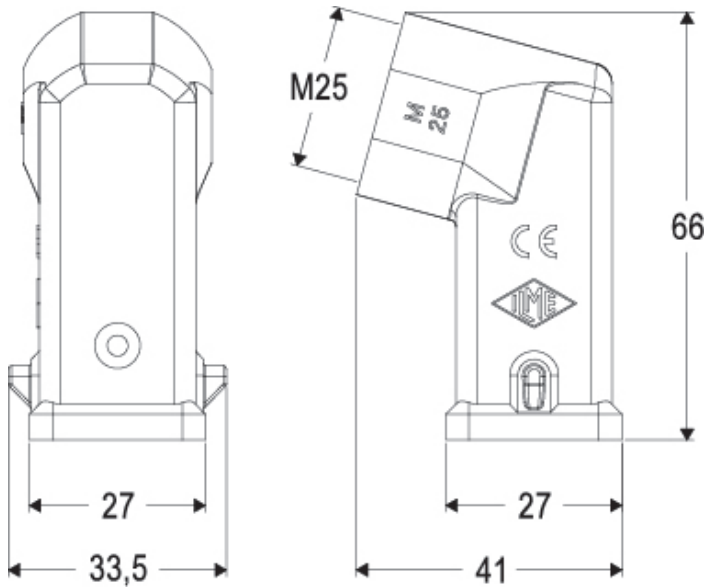
Product description		Material properties	
<b>Product type</b>	Hood	<b>Main material</b>	Zinc die-cast
<b>Series</b>	CKA	<b>Colour</b>	RAL 7040 grey
<b>Closing type</b>	With 2 pegs	<b>RoHs conformity</b>	Compliant
<b>Size</b>	Size "21.21"	<b>China RoHs - EFUP</b>	E
<b>Cable entry</b>	Side cable entry M25	<b>REACH SVHC substances</b>	No
Technical data		General ordering information	
<b>IP degree of protection</b>	IP44 - IP66 / IP67 / IP69 with CKR 65 (D)	<b>EAN13 code</b>	8015747291231
<b>Further technical details</b>		<b>eCl@ss 8.1</b>	27440202
Further technical details		Packaging Information	
<b>Weight</b>	78,00 g	<b>Packaging length</b>	450,00 mm
<b>Operating temperature range (min, max)</b>	-40°C...+125°C	<b>Packaging height</b>	175,00 mm
		<b>Packaging width</b>	230,00 mm
		<b>Packaging weight</b>	8,61 kg
		<b>Packaging volume</b>	18,11 dm <sup>3</sup>
		<b>Packaging description</b>	Carton box
		<b>Packaging quantity</b>	100 Pcs
		<b>Packaging EAN code</b>	8015747291248
		<b>Sub-packaging length</b>	210,00 mm
		<b>Sub-packaging height</b>	40,00 mm
		<b>Sub-packaging width</b>	175,00 mm
		<b>Sub-packaging weight</b>	0,86 kg
		<b>Sub-packaging volume</b>	1,47 dm <sup>3</sup>
		<b>Sub-packaging description</b>	Carton box
		<b>Sub-packaging quantity</b>	10 Pcs
		<b>Sub-packaging EAN barcode</b>	8015747291255

Part number

# MKA VA25



## Catalogue drawings



## Notes

AVAILABLE FROM: FEBRUARY 2023

---

Dimensions shown in mm are not binding and may be changed without notice.

---