

- Shaftless & Bearingless encoders
- Absolute sensing
- Zero-setting function
- IP67 or IP68 protection with sealed circuits



MSK36 • MMK36

ENVIRONMENTAL SPECIFICATIONS

Shock:	100 g, 6 ms
Vibrations:	10 g, 5-2000 Hz
Protection:	IP67
Operating temperature range:	-20°C +85°C (-4°F +185°F)
Storage temperature range:	-20°C +85°C (-4°F +185°F) (98% R.H. without condensation)
Option:	• IP68 protection with sealed circuits

MECHANICAL SPECIFICATIONS

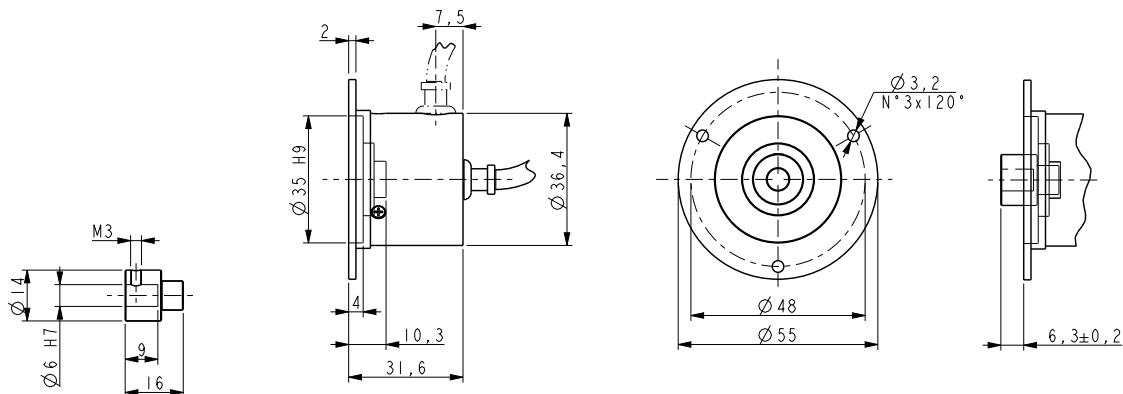
Dimensions:	see drawing
Hollow shaft diameter:	Ø 6, 8, 10 mm
Shaft rotational speed:	12000 rpm max. (mechanical)
Electrical connections:	M12 8 pin inline plug or cable output 1 m (3.3 ft)
Weight:	~ 50 g (1,7 oz)
Option:	• additional cable

ELECTRICAL SPECIFICATIONS

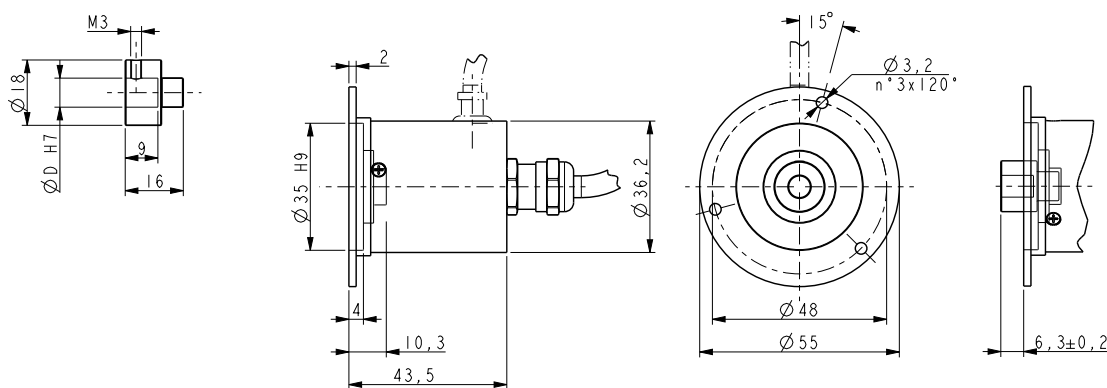
Resolution:	MSK36 (cpr): 8192 MMK36: 1024 counts/rev. x 32768 rev. 2048 cpr x 16384 rev. 4096 cpr x 8192 rev. 8192 cpr x 65536 rev.
Accuracy:	± 1°
Output circuits:	MSK36: SSI, 13 clock max. 1 MHz MMK: SSI, 29 clock max. 1 MHz
Power supply:	+10Vdc +30Vdc
Power consumption:	30 mA max.
Protection:	against inversion of polarity and short-circuit
EMC:	electro-magnetic immunity, according to: EN-61000-4-2 EN-61000-4-4
Battery life (only MMK36):	10 years min.
Functions:	• Counting direction (input) • Electronic zero setting (input)

MATERIALS

Flange:	anticorodal, UNI EN AW-6082
Housing:	anticorodal, UNI EN AW-6082
Shaft:	anticorodal, UNI EN AW-6082



MSK36



MMK36

Order code - Single turn version

MSK36	XX Ⓐ	/	XX Ⓑ	-	XX Ⓒ	-	X Ⓓ	X Ⓔ	X Ⓕ	XX Ⓖ	/Sxxx Ⓗ
-------	---------	---	---------	---	---------	---	--------	--------	--------	---------	------------

Ⓐ RESOLUTIONS

13 = 8192 counts/rev.

Ⓑ OUTPUT CODE

BS = Binary, SSI
GS = Gray, SSI

Ⓒ SHAFT DIAMETER

6 = 6 mm
8 = 8 mm
10 = 10 mm

Ⓓ ZERO SETTING

- = without (standard)
E = zero setting

Ⓔ CONNECTION POSITION

- = axial
R = radial

Ⓕ PROTECTION

- = IP67
J = IP68 with sealed circuits

Ⓖ CONNECTIONS

L1 = cable output 1 m (standard)
L2 = cable output 2 m
Lx = cable output x m
M0,5 = 0,5 m cable + M12 8 pin inline plug
M2 = 2 m cable + M12 8 pin inline plug

Ⓗ CUSTOM VERSION

Order code - Multi turn version

MMK36	XX/XXXXX Ⓐ	XX Ⓑ	-	XX Ⓒ	-	X Ⓓ	X Ⓔ	X Ⓕ	XX Ⓖ	/Sxxx Ⓗ
-------	---------------	---------	---	---------	---	--------	--------	--------	---------	------------

Ⓐ RESOLUTIONS

10/32768 = 1024 CPR x 32768 rev.
11/16384 = 2048 CPR x 16384 rev.
12/8192 = 4096 CPR x 8192 rev.
13/65536 = 8192 cpr x 65536 rev.

Ⓑ OUTPUT CODE

BB = Binary, SSI (LSB aligned)
GB = Gray, SSI (LSB aligned)
BS = Binary, SSI (Tree format)
GS = Gray, SSI (Tree format)
BG = Binary, SSI (MSB aligned)
GG = Gray, SSI (MSB aligned)

Ⓒ SHAFT DIAMETER

6 = 6 mm
8 = 8 mm
10 = 10 mm

Ⓓ ZERO SETTING

- = without (standard)
E = zero setting

Ⓔ CONNECTION POSITION

- = axial
R = radial

Ⓕ PROTECTION

- = IP67
J = IP68 with sealed circuits

Ⓖ CONNECTIONS

L1 = cable output 1 m (standard)
L2 = cable output 2 m
Lx = cable output x m
M0,5 = 0,5 m cable + M12 8 pin inline plug
M2 = 2 m cable + M12 8 pin inline plug

Ⓗ CUSTOM VERSION