

Series

SMX2 • SMX5



- Heavy-duty magnetic sensor
- Quadrature output, AB signals
- Universal output circuit (Push-Pull & Line Driver)
- M10 steel case
- Gap clearance up to 3.0 mm
- Position & speed measurement
- Suitable for linear or rotary applications



SMX2 • SMX5

ENVIRONMENTAL SPECIFICATIONS

Shock:	250 g, 6 ms acc. to CEI EN 60068-2-27
Vibrations:	10 g, 5-2000 Hz acc. to CEI EN 60068-2-6
Protection:	IP67
Operating temperature range:	-25°C ÷ +85°C (-13°F +185°F)
Storage temperature range:	-40°C ÷ +100°C (-40°F +212°F)

MECHANICAL SPECIFICATIONS

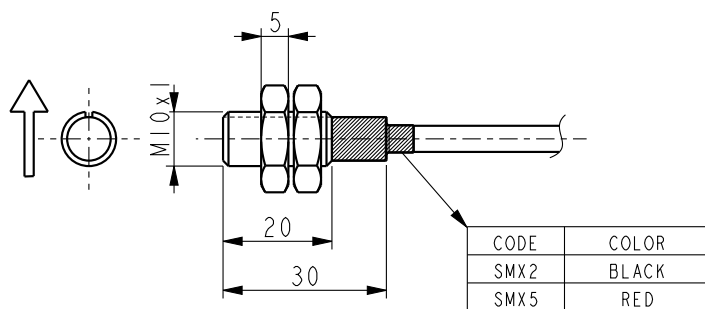
Dimensions:	see drawing
Housing material:	stainless steel
Electrical connections:	Lika Hi-flex cable M6, 1,0 m
Gap between sensor/tape (without cover strip):	SMX2: 0,1 ÷ 2,0 mm SMX5: 0,1 ÷ 3,0 mm
Travel speed (mechanical):	max 16 m/s
Measurement length:	Tape length -5 mm each side

ELECTRICAL SPECIFICATIONS

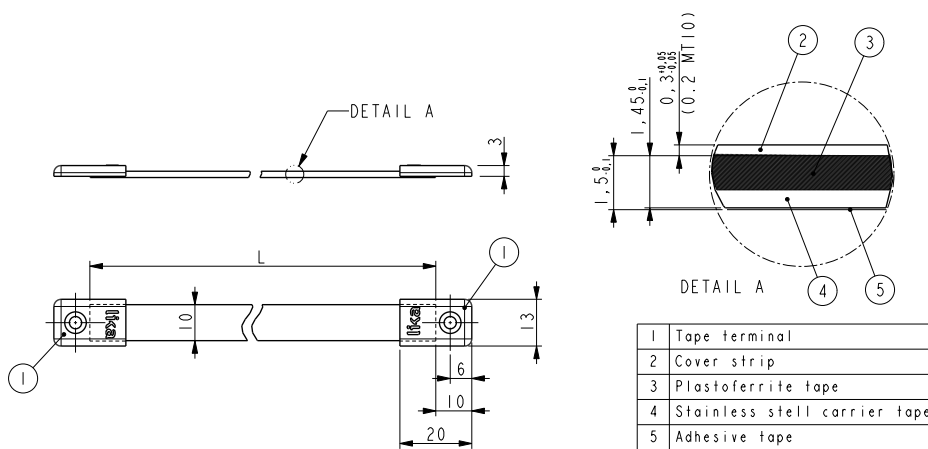
Resolution:	1 pulse each N/S pole SMX2: 1 mm (in combination with MTI-0200, after AB quadrature) SMX5: 2.5 mm (in combination with MTI-0500, after AB quadrature)
Repeat accuracy:	±1 increment
Output circuits:	Universal output circuit (PP/LD)
Output signals:	AB /AB
Counting frequency:	30 kHz
Power supply:	+5Vdc +30Vdc
Power consumption:	50 mA max.
Protection:	against inversion of polarity and short-circuit
EMC:	acc. to EN 61000-6-2 level 3

ACCESSORIES

MTI-0500:	Magnetic tape for SMX5
MTI-0200:	Magnetic tape for SMX2
MRI:	Magnetic rings
KIT LKM-1440:	Set of tape terminals (10 pcs)



SMX2 • SMX5



MTI-0500-10 • MTI-0200-10

Order code - Sensor

SMX2 SMX5	-	XX a	-	XXXX b	-	X c	/Sxxx d
--------------	---	---------	---	-----------	---	--------	------------

a) SENSOR C = circular sensor	b) OUTPUT CIRCUITS & POWER SUPPLY H4 = PP/LD universal circuit, +5Vdc ±30Vdc	c) CABLE TYPE & LENGTH L020 = cable output 2 m L050 = cable output 5 m Lxx0 = cable out. x m (max. length 10m)	d) CUSTOM VERSION
----------------------------------	---	---	-------------------

Order code - Magnetic tape

MTI	-	XXXX a	-	XX b	-	XXXXXX c	-	X d	-	X e	-	X f	-	XXX g	/Sxxx h
-----	---	-----------	---	---------	---	-------------	---	--------	---	--------	---	--------	---	----------	------------

a) CODING 0200 = 2 mm pole pitch (ex MT20) 0500 = 5 mm pole pitch (ex MT50)	b) WIDTH 10 = 10 mm	c) LENGTH 001000 = 1 m 002000 = 2 m 004000 = 4 m 010000 = 10 m 020000 = 20 m 030000 = 30 m 050000 = 50 m 100000 = 100 m	d) BIADHESIVE B = supplied N = not supplied	e) PRINTING P = standard S = custom	f) COVER STRIP C = supplied N = not supplied	g) ACCURACY CLASS 100 = ±85 µm/m	h) CUSTOM VERSION
---	------------------------	---	---	---	--	-------------------------------------	-------------------

Document release	Date	Description
1.0	December 2023	New order code