



Safety switch with separate actuator

ST 14 1Ö/1S - 2m

Material number: 1045455 (Material number old: 14053702)

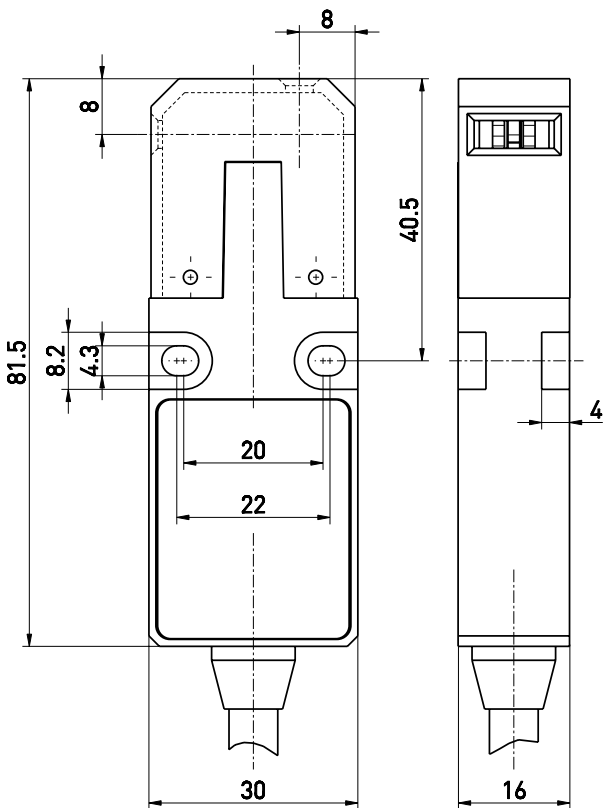
Features/Options:

- Thermoplastic enclosure
- Double insulated
- With pre-wired cable

Notes

- The actuator is not included in the delivery of the switches

Dimensions



Technical data

Applied standards	EN 60947-5-1, EN ISO 13849-1, EN ISO 14119, GS-ET-15
Enclosure	thermoplastic, glass-fibre reinforced, impact resistant, self-extinguishing UL 94 V-0
Switch type	type 1
Coding level	low coding
Tightening torque	enclosure mounting screws: max. 1.5 Nm
Degree of protection	IP 67 to IEC/EN 60529
B_{10d} (10 % load)	2 million
T_M	max. 20 years
Contact material	silver
Switching system	slow action, positive break NC contacts \ominus
Switching elements	1 NC/1 NO contact, type Zb
Connection	cable 4 x AWG 20 UL 2464
Cable diameter	5.4 mm $\pm 3\%$
Cable cross-section	4 x 0.56 mm ²
Cable length	2 m
Rated impulse withstand voltage U_{imp}	4 kV
Rated insulation voltage U_i	250 V
Conventional thermal current I_{the}	6 A
Rated operating current/voltage I_e/U_e	6 A/250 VAC; 0.25 A/230 VDC; 4 A/24 VDC
Utilisation category	AC-15; DC-13
Short-circuit protection	6 A gG/gN fuse
Positive break travel	8 mm

Errors and omissions excepted.



Safety switch with separate actuator

ST 14 1Ö/1S - 2m

Material number: 1045455 (Material number old: 14053702)

Technical data

Ambient temperature -20 °C ... +75 °C

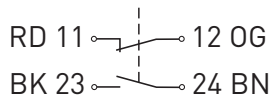
Mechanical life > 1 million operations

Approvals

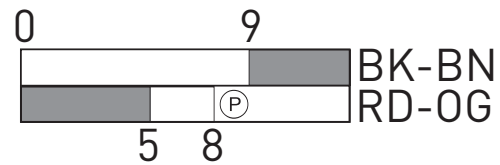


Weight 120 g

Contact diagram



Switching diagram



Note
Inserted position of actuator = 0 in switching diagram.
The actuator is not included with the switches.