

# UT 12-370-A

Ultrasonic sensor with analogue output



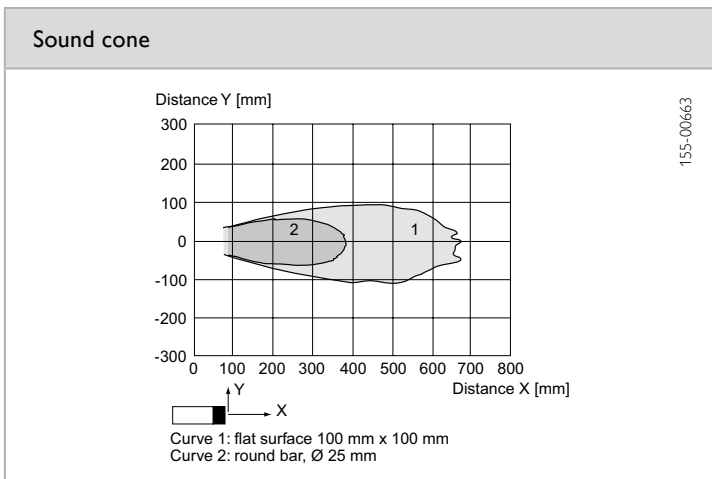
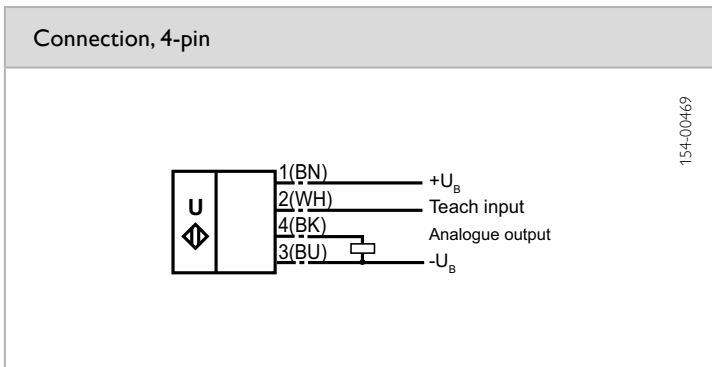
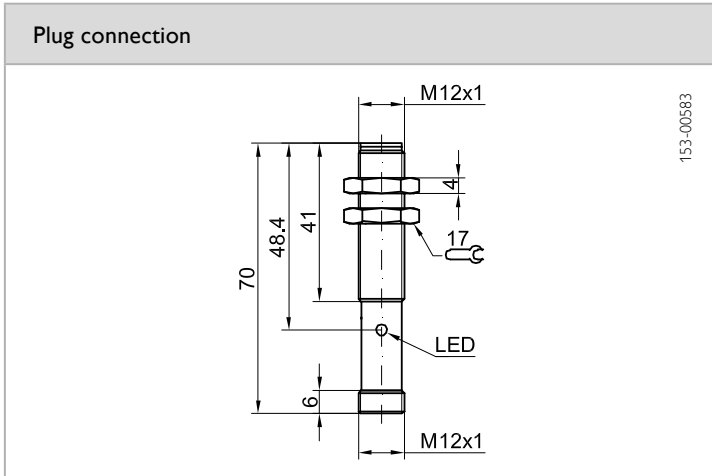
## PRODUCT HIGHLIGHTS

- Robust M12 metal housing for harsh operating conditions
- Analogue output: 4 ... 20 mA
- Simple sensor adjustment via control input

Sensor data		Functions	
Operating scanning distance	30 ... 400 mm	Indicator LED, yellow	Switching output indicator
Adjustment range	50 ... 400 mm	Indicator LED, red	Fault indicator
Ultrasonic frequency	~ 310 kHz	Set characteristic analogue curve	Via control input
Resolution	0.40 mm <sup>1</sup>	Adjustment possibilities	Rising / falling slope via control input
Temperature drift	± 1.5 % <sup>2</sup>	Default settings	Evaluation limit 1 = 50 mm
Repeatability	± 0.5 % <sup>2</sup>		Evaluation limit 2 = 400 mm
Electrical data		Mechanical data	
Operating voltage, +U <sub>B</sub>	10 ... 30V DC <sup>3</sup>	Dimensions	M12 x 70 mm
No-load current, I <sub>0</sub>	≤ 30 mA	Enclosure rating	IP 65 <sup>4</sup>
Current output	R <sub>a</sub> < 300 Ω	Material, housing	Nickel-plated brass
Protective circuits	Short-circuit protection (Q) / overload protection	Material, ultrasonic converter	Polyurethane foam, epoxy resin with glass content, PBT (lid)
Analogue output	4 ... 20 mA	Type of connection	(See Selection Table)
Response time	≤ 50 ms	Ambient temperature: operation	-25 ... +70 °C
Control input, WH	- U <sub>B</sub> = lower evaluation limit + U <sub>B</sub> = upper evaluation limit	Ambient temperature: storage	-40 ... +85 °C
		Weight	25 g

<sup>1</sup> With max. detection range    <sup>2</sup> From end-value    <sup>3</sup> Max. 10 % ripple, within U<sub>B</sub>    <sup>4</sup> With connected IP 65 plug

Operating scanning distance	Analogue output	Type of connection	Part number	Article number
30 ... 400 mm	4 ... 20 mA	Plug, M12x1, 4-pin	UT 12-370-A-IL4	690-10101



### Accessories

Connection cables	From Page A-38
Brackets	From Page A-4